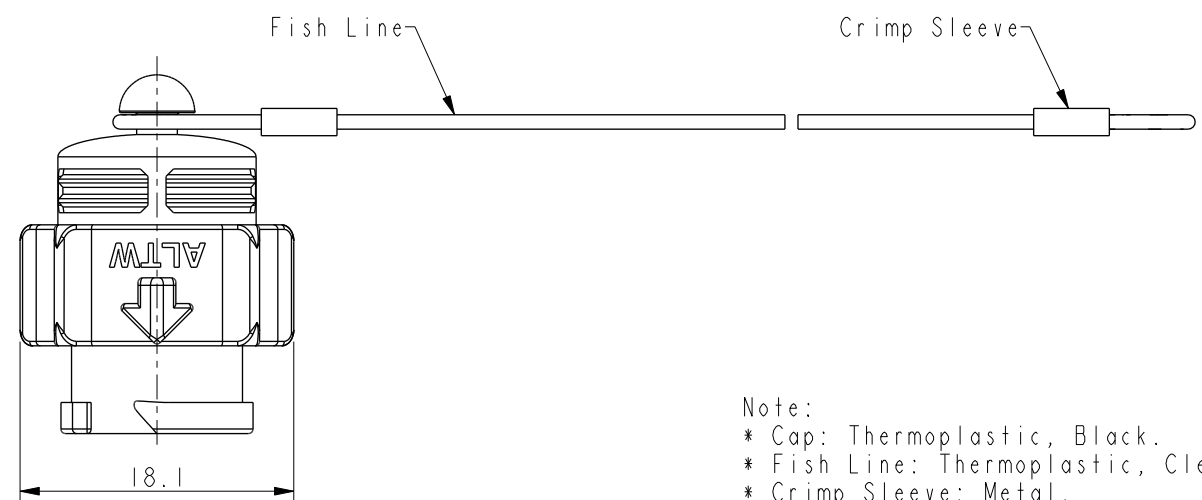
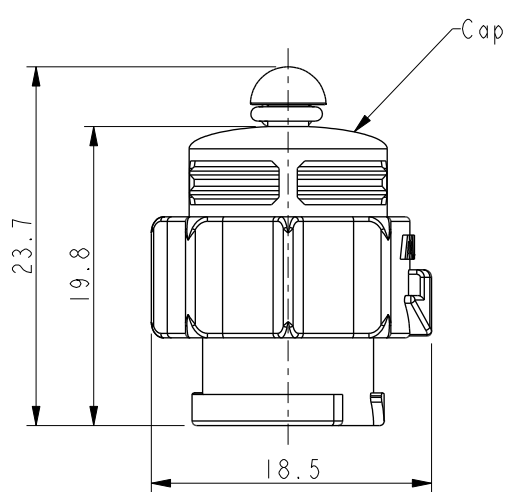
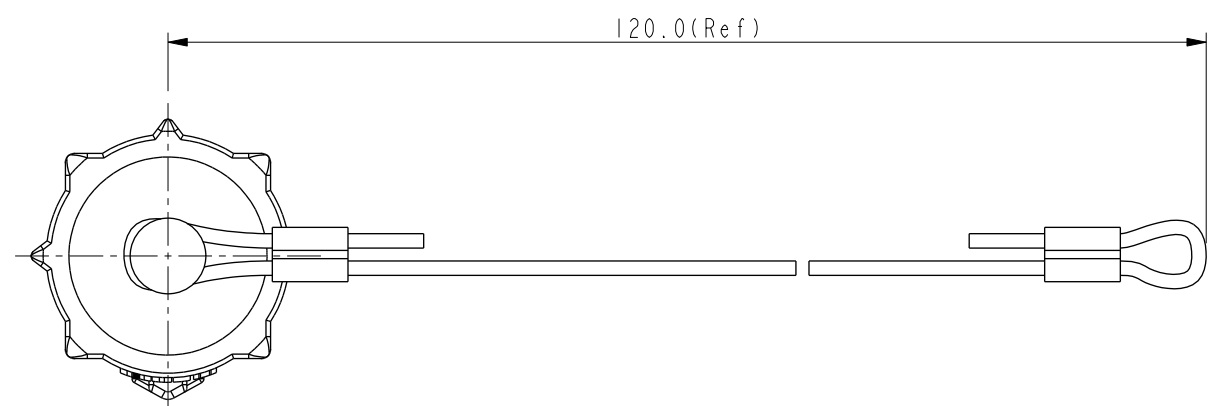


THIS DOCUMENT IS SUBJECT TO CHANGE WITHOUT NOTICE. IT IS CONFIDENTIAL AND A PROPERTY OF AMPHENOL LTW. DISCLOSURE TO THIRD PARTY HAS TO BE AUTHORIZED BY AMPHENOL LTW.

REV.	ECN NO.	DATE	SIGN	DESCRIPTION
A		2019-12-03	Allen Pan	Rev.02 To Rev.A



Note:
 * Cap: Thermoplastic, Black.
 * Fish Line: Thermoplastic, Clear.
 * Crimp Sleeve: Metal.

UNIT: mm		
TOLERANCE		
.X	±0.25	
.XX	±0.1	
.XXX	±0.05	
ANGLES	±1°	

TITLE X-Lok A-Size Waterproof Cap For Female Conn.			
SCALE 2:1	SIZE A4	SHEET 1 OF 1	
REV. A	WC-REV. A.3	QC: Inspection item	

Amphenol LTW
 安費諾亮泰企業股份有限公司

ITEM NO. CAP-WAAFQCDI	DRAWN BY Allen Pan	DATE 2019-12-03
DWG NO. CAP-WAAFQCDI	CHECKED BY Sam Ho	DATE 2019-12-03
CUSTOMER ALTW	APPROVED BY Fred Lee	DATE 2019-12-03