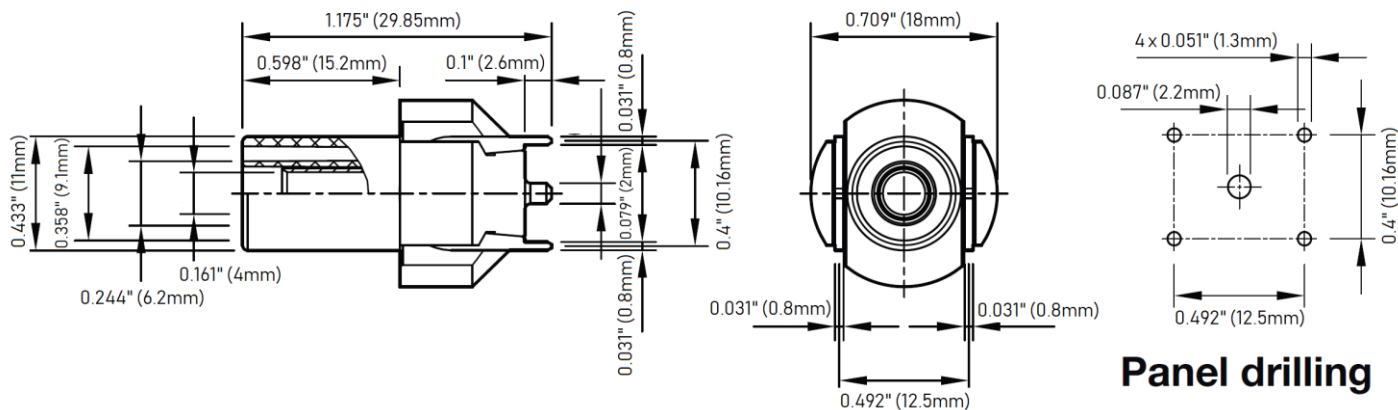


**Model 73096**  
**4mm Safety Jack for PCB**



**Features**

- In-line design is ideal for mounting on vertical printed circuit boards
- Insulated 4mm safety jack mates with sheathed banana plug test leads
- Center contact is a 2mm round pin with 0.8mm contacts (x4) for mounting on printed circuit boards
- IEC/EN 61010-1 rated for increased safety
- Machined brass
- Compatible with popular Pomona test lead models 5907A, 5908A, and 5909A test lead sets

**Ratings**

Voltage: CAT III 1000V / CAT IV 600V  
Current: 24 A

**Ordering Information**

Model: 73096-*color*  
*Color*: 0=Black, 2=Red  
4mm Safety Jack for PCB



**USA:** Sales: 800-490-2361  
Technical Support: [technicalsupport@pomonatest.com](mailto:technicalsupport@pomonatest.com)  
Fax: 425-446-5844  
**Europe:** 31-(0) 40 2675 150 **International:** 425-446-5500  
**Where to Buy:** [www.pomonaelectronics.com](http://www.pomonaelectronics.com)

All dimensions are in inches. Tolerances (except noted): .xx = ±.02" (.51 mm), .xxx = ±.005" (.127 mm). All specifications are to the latest revisions. Specifications are subject to change without notice. Registered trademarks are the property of their respective companies.