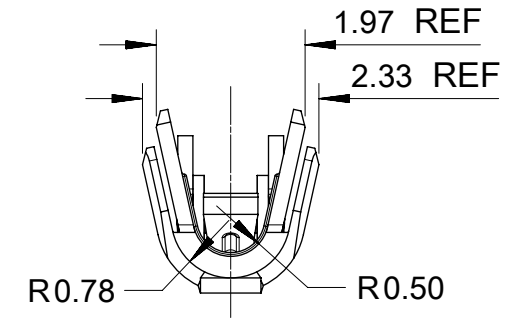
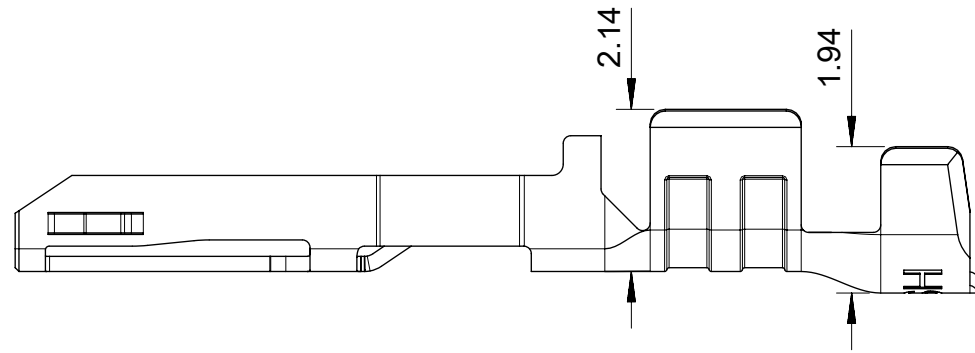


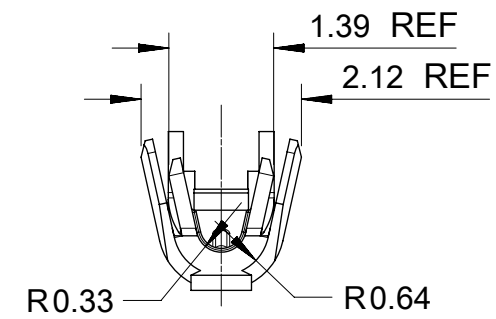
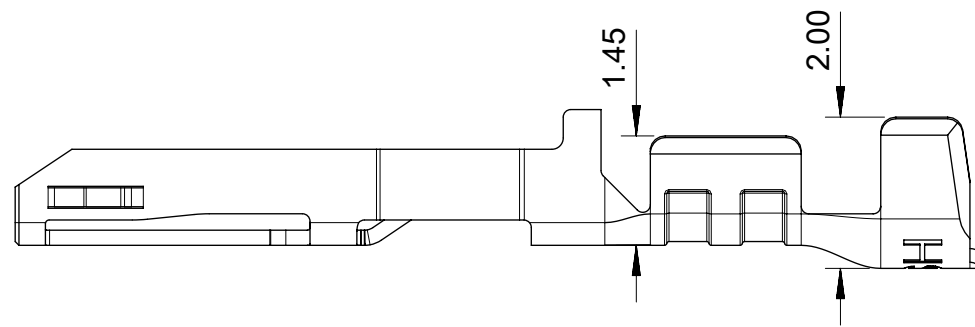
NOTES:

1. MATERIAL: HIGH CONDUCTIVITY COPPER ALLOY.
2. PLATING FINISH SEE CHART IN SHEET 3.
3. PRODUCT SPECIFICATION: PS-105300-100.
4. PACKAGE SPECIFICATION: PK-105300-100.
5. THE COMPONENT COMPLIANT TO RoHS DIRECTIVE 2011/65/EU AND ELV DIRECTIVE 2000/53/EC.
6. PRODUCT APPLY TO RECEPTACLE HOUSING OF 105307-**** AND 105308-****.
7. PARTS CONFORM TO CLASS 'B' REQUIREMENTS OF COSMETIC SPECIFICATION PS-45499-002.
8. APPLICATION SPECIFICATION: AS-105300-100.
9. RECOMMENDED INSULATOR:
20AWG WIRE, OD 1.60MM MAX.
24AWG WIRE, OD 1.30MM MAX.

THIS DRAWING CONTAINS INFORMATION THAT IS PROPRIETARY TO MOLEX ELECTRONIC TECHNOLOGIES, LLC AND SHOULD NOT BE USED WITHOUT WRITTEN PERMISSION													
DIMENSION UNITS		SCALE		CURRENT REV DESC:									
mm		10:1											
GENERAL TOLERANCES (UNLESS SPECIFIED)				EC NO: 749038 DRWN: GLLI 2023/05/10 CHK'D: XQZHANG 2023/05/25 APPR: XQZHANG 2023/05/25 INITIAL REVISION: DRWN: GLLI 2015/03/18 APPR: AYIN 2015/04/08				CRIMP TERMINAL OF NANO-FIT, GOLD PLATING POWER CONNECTOR					
ANGULAR TOL ± 3.0 °								PRODUCT CUSTOMER DRAWING					
4 PLACES ±								DOCUMENT NUMBER		DOC TYPE		DOC PART	
3 PLACES ±								SD-105300-100		PSD		000	
2 PLACES ± 0.15								REVISION		G4			
1 PLACE ± 0.2				MATERIAL NUMBER		CUSTOMER		SHEET NUMBER					
0 PLACES ±				A3-SIZE		105300		GENERAL MARKET					
DRAFT WHERE APPLICABLE MUST REMAIN WITHIN DIMENSIONS				THIRD ANGLE PROJECTION		DRAWING		SERIES					
						A3-SIZE		105300					
						GENERAL MARKET		1 OF 3					

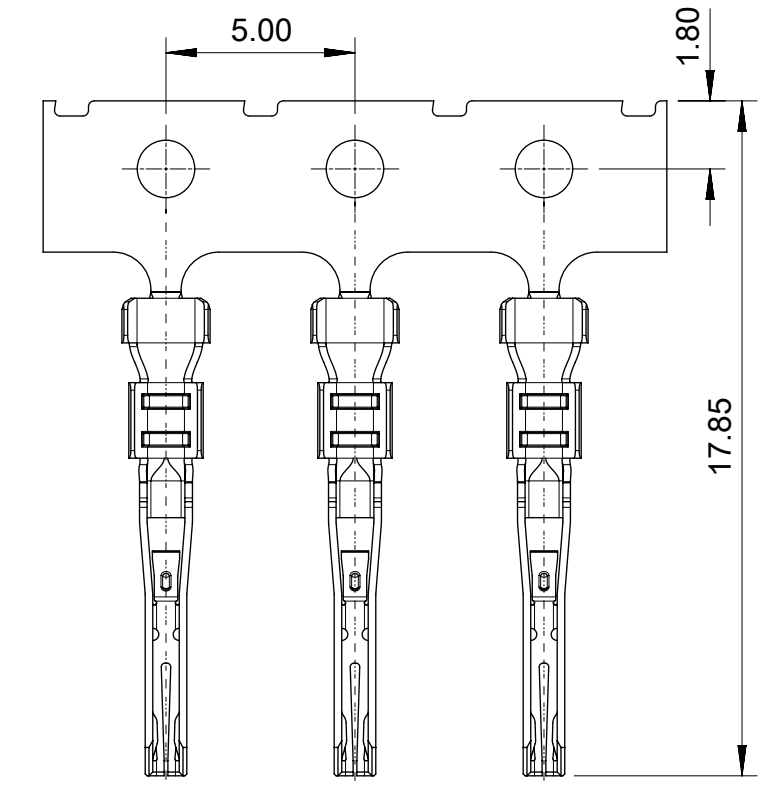
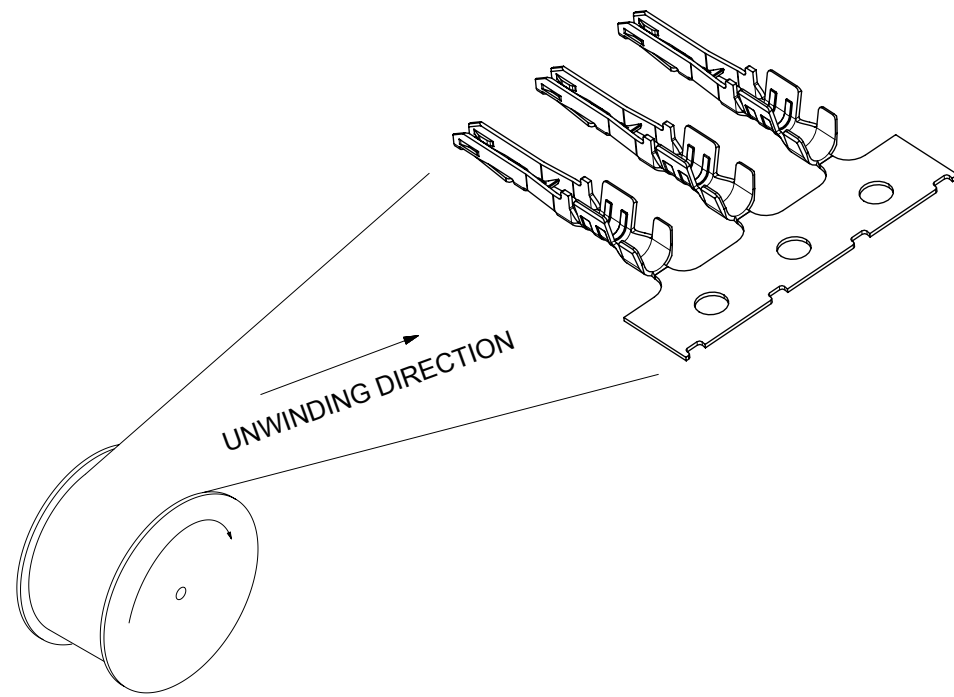


ONLY FOR WIRE OF AWG 20/22



ONLY FOR WIRE OF AWG 24/26

THIS DRAWING CONTAINS INFORMATION THAT IS PROPRIETARY TO MOLEX ELECTRONIC TECHNOLOGIES, LLC AND SHOULD NOT BE USED WITHOUT WRITTEN PERMISSION										
DIMENSION UNITS	SCALE	CURRENT REV DESC:								
mm	10:1									
GENERAL TOLERANCES (UNLESS SPECIFIED)							CRIMP TERMINAL OF NANO-FIT, GOLD PLATING POWER CONNECTOR			
ANGULAR TOL ± 3.0 °							PRODUCT CUSTOMER DRAWING			
4 PLACES	±	EC NO: 749038				DOCUMENT NUMBER				
3 PLACES	±	DRWN: GLLI	2023/05/10			SD-105300-100				
2 PLACES	± 0.15	CHK'D: XQZHANG	2023/05/25			DOC TYPE DOC PART REVISION				
1 PLACE	± 0.2	APPR: XQZHANG	2023/05/25			PSD 000 G4				
0 PLACES	±	INITIAL REVISION:				MATERIAL NUMBER CUSTOMER SHEET NUMBER				
DRAFT WHERE APPLICABLE MUST REMAIN WITHIN DIMENSIONS		THIRD ANGLE PROJECTION		DRAWING	SERIES	GENERAL MARKET		2 OF 3		
				A3-SIZE	105300					



	PART NUMBER (WITH LUBE)	PART NUMBER (WITHOUT LUBE)	PLATING TYPE	WIRE SIZE(AWG)	REMARK
CHAIN	N/A	105300-1200	B	24/26	GENERAL MARKET
	105300-1400	105300-1300	C		
	N/A	105300-1810	D		
	N/A	105300-2200	B	20/22	
	105300-2400	105300-2300	C		
	N/A	105300-1900	D		
LOOSE*	N/A	105300-1600	B	24/26	ONLY BE SOLD BY MOLEX FRANCHISED DISTRIBUTORS
	105300-1800	105300-1700	C		
	N/A	105300-1820	D		
	N/A	105300-2600	B	20/22	
	105300-2800	105300-2700	C		
	N/A	105300-1920	D		

*DISTRIBUTORS MUST PURCHASE CHAIN PART NUMBER AND CREATE LOOSE PIECE PRODUCT.

PLATING SPECIFICATION	
B	GOLD PLATING 0.38 MICRONS MINIMUM ON CONTACT AREA, MATTE TIN 1.25 MICRONS MINIMUM ON CRIMP AREA, UNDER NICKEL PLATING 1.25 MICRONS MINIMUM OVERALL.
C	GOLD PLATING 0.76 MICRONS MINIMUM ON CONTACT AREA, MATTE TIN 1.25 MICRONS MINIMUM ON CRIMP AREA, UNDER NICKEL PLATING 1.25 MICRONS MINIMUM OVERALL.
D	GOLD PLATING 0.025 MICRONS MINIMUM ON CONTACT AREA, MATTE TIN 1.25 MICRONS MINIMUM ON CRIMP AREA, UNDER NICKEL PLATING 1.25 MICRONS MINIMUM OVERALL.

THIS DRAWING CONTAINS INFORMATION THAT IS PROPRIETARY TO MOLEX ELECTRONIC TECHNOLOGIES, LLC AND SHOULD NOT BE USED WITHOUT WRITTEN PERMISSION									
DIMENSION UNITS	SCALE	CURRENT REV DESC:							
mm	5:1	<div style="text-align: center;">molex</div> CRIMP TERMINAL OF NANO-FIT, GOLD PLATING POWER CONNECTOR PRODUCT CUSTOMER DRAWING							
GENERAL TOLERANCES (UNLESS SPECIFIED)									
ANGULAR TOL	± 3.0 °								
4 PLACES	±								
3 PLACES	±								
2 PLACES	± 0.15	EC NO: 749038	2023/05/10	DOCUMENT NUMBER					
1 PLACE	± 0.2	DRWN: GLLI	2023/05/25	SD-105300-100					
0 PLACES	±	CHK'D: XQZHANG	2023/05/25	DOC TYPE DOC PART REVISION					
DRAFT WHERE APPLICABLE MUST REMAIN WITHIN DIMENSIONS		INITIAL REVISION:		SD-105300-100					
THIRD ANGLE PROJECTION		DRWN: GLLI	2015/03/18	PSD 000 G4					
DRAWING		APPR: XQZHANG	2015/04/08	GENERAL MARKET					
SERIES		APPR: AYIN		SHEET NUMBER					
A3-SIZE				3 OF 3					
105300									