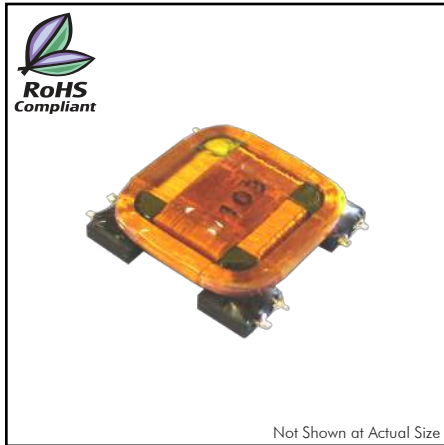


CTRA1816F Series

From 2.47mH to 10mH



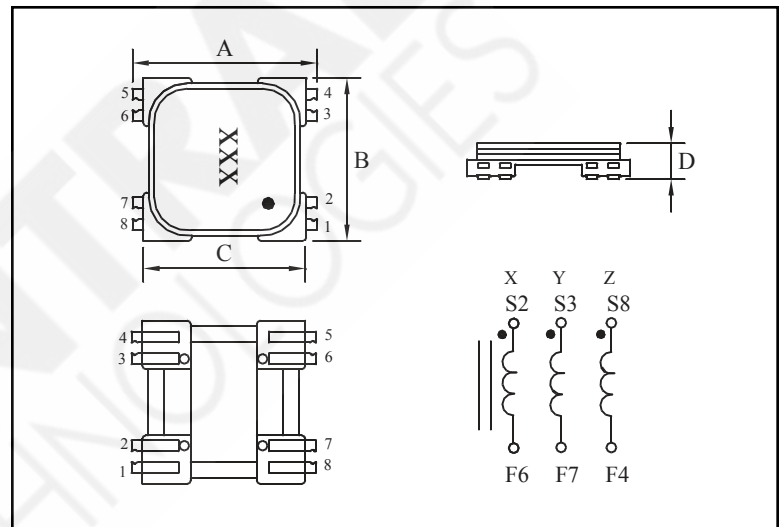
SPECIFICATIONS

Part are available in $\pm 5\%$ inductance only.

Part Number	Inductance	Q Typ. X,Y,Z	SRF Typ. X,Y	SRF Typ. Z	DCR Max. X,Y (Ω)	DCR Max. Z (Ω)
	X,Y,Z (mH)		X,Y (KHz)	Z (KHz)		
CTRA1816F-242J	2.47	23.0	500	1000	75	75
CTRA1816F-252J	2.58	23.0	500	800	75	75
CTRA1816F-342J	3.45	27.0	450	800	85	100
CTRA1816F-402J	4.05	27.0	400	800	98	98
CTRA1816F-472J	4.77	28.0	380	800	100	136
CTRA1816F-492J	4.91	27.0	350	750	105	140
CTRA1816F-722J	7.20	30.0	330	750	120	172
CTRA1816F-103J	10.0	25.0	250	550	165	258

PHYSICAL DIMENSIONS

Size	A Max.	B Max.	C Max.	D Max.
mm	17.5	15.5	15.5	3.8
inches	0.689	0.610	0.610	0.150



CHARACTERISTICS

Description: RFID Antenna Coil

Applications: Designed for Radio Frequency Identification Systems (RFID), Keyless Go Systems (Keyless entry), Tire Pressure Monitoring System (TPMS), Access control, Tracking devices.

Operating Temperature: -40°C to $+85^{\circ}\text{C}$

Inductance Tolerance: $\pm 5\%$

Testing Frequency: 125kHz / 1V

Packaging: Tape & Reel

Miscellaneous: RoHS Compliant.

Additional Information: Additional electrical & physical information available upon request.

Samples available. See website for ordering information.

PAD LAYOUT

