

Miniature Bayonet

3 SERIES

- MINIATURE BAYONET NON-GROUNDED LAMPHOLDERS
- 6" WIRE LEADS • BRASS SHELL IN BLACK POLYESTER HOUSING
- MAXIMUM RATING: 75 WATTS, 125 VOLTS
- UL RECOGNIZED • UL FILE E20356

Overview

The 3 Series lampholders are constructed with a brass shell in a polyester housing. Lampholders are supplied with two 6" wire leads and are non-grounded. Many bracket and mounting options are available including a 15/16" mounting hole plug button and a threaded bushing for 13/32" mounting holes. Lampholders are designed for use with miniature bayonet lamps.

Specifications

Shell: brass.

Housing: black polyester. White housing is also available.

Wire leads: 6" **Leads:** #22 AWG, black & white, stranded copper, PVC insulated, UL/CSA rated 105° C, stripped 1/2". Non-grounded units are supplied with two 6" wire leads. Custom wire lengths, stripping, termination and wire types are also available.

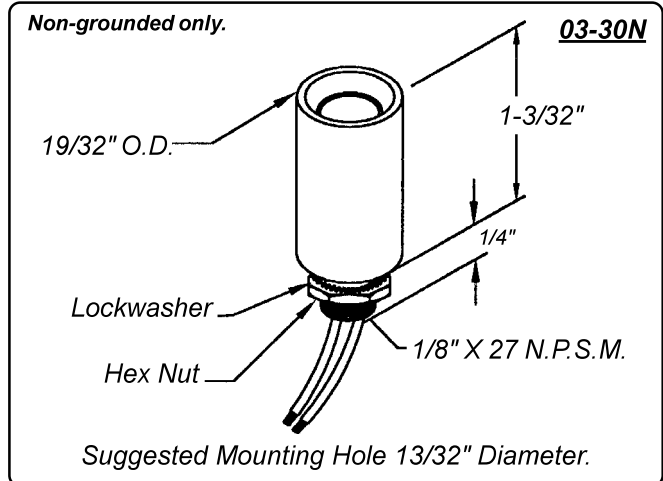
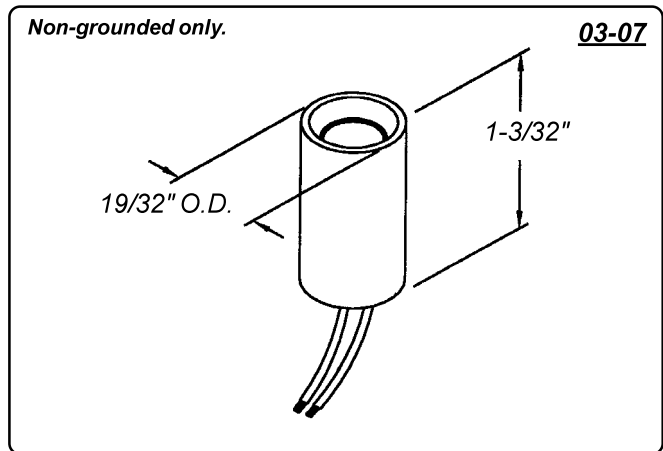
Mounting:

Brackets: .025" to .032" zinc plated steel. Custom brackets and plating types are available.

Threaded bushing: for 13/32" diameter mounting hole. Supplied with lockwasher and hex nut.

Plug button: zinc plated steel for 15/16" mounting hole.

Maximum rating: 75 Watts, 125 Volts.



Can't find it here? We have many more standard and custom solutions

The items in this product sheets are only a small representative sample of the complete VCC product line. We manufacture many additional products which are not shown in this product sheet due to space constraints.

Custom products can also be designed uniquely for you by our Technical Support Professionals. Starting from your ideas and specifications, we work with your personnel to develop timely and cost effective solutions for your miniature lighting needs.

VCC Technical Support Services are provided without charge and may include designs, prototypes and pre-production samples.

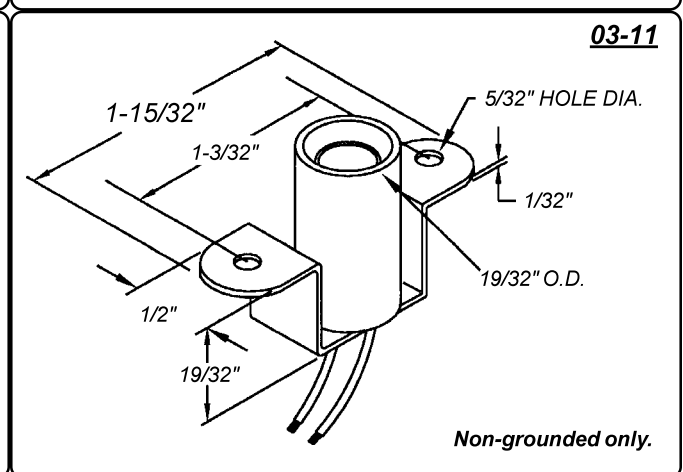
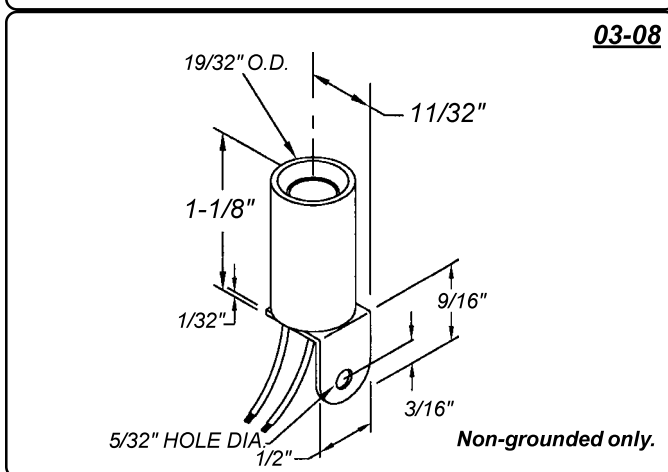
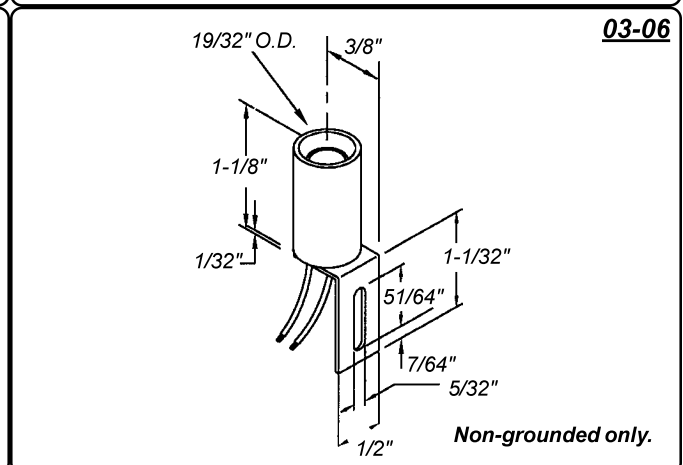
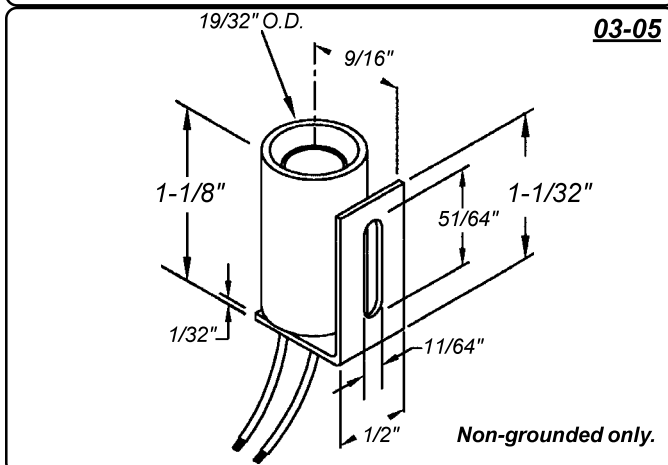
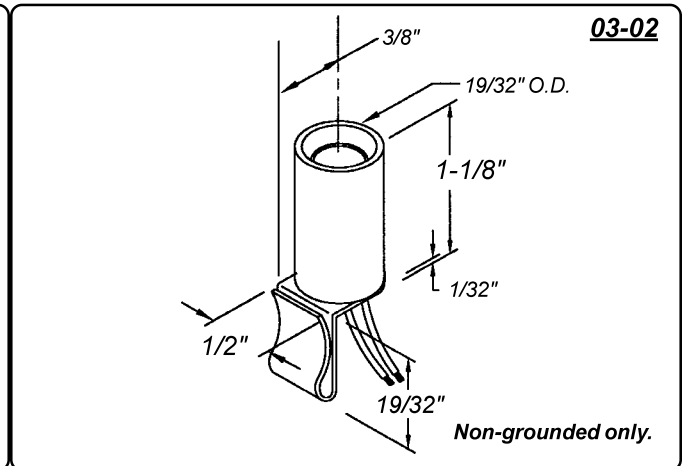
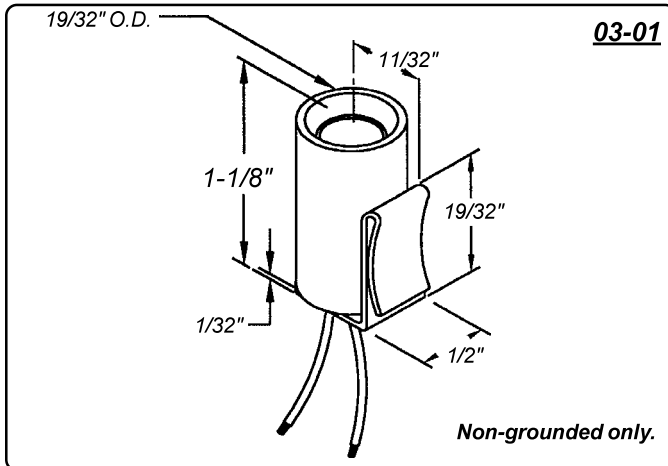
For further information, phone Customer Service at 800.522.5546.

Miniature Bayonet

3 SERIES

UL Recognized • Non-Grounded
 Maximum Rating: 75 Watts, 125 Volts

Brass Shell
 6" Wire Leads
 Black Polyester Housing

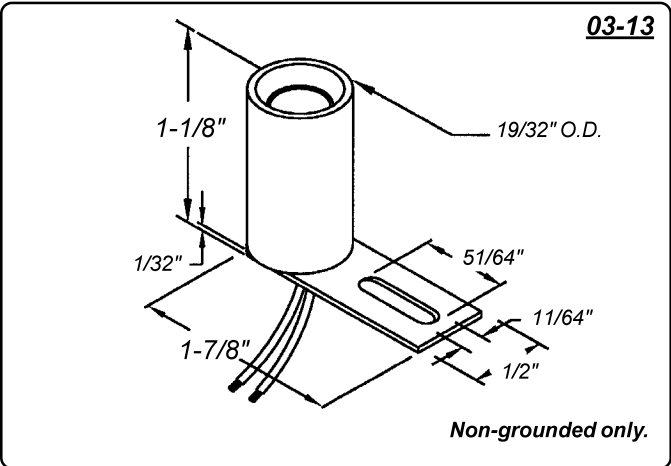
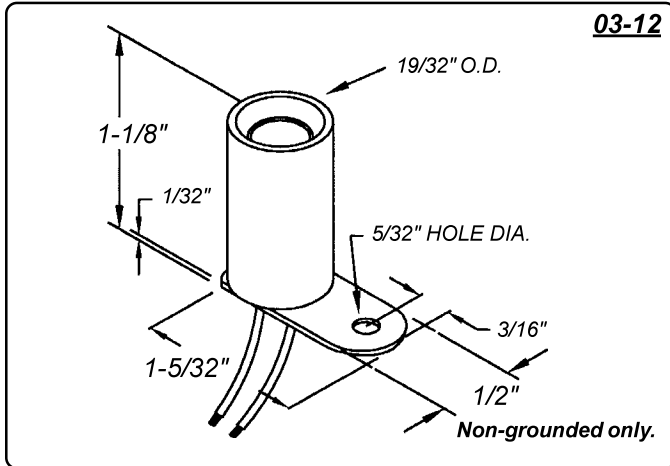


Miniature Bayonet

3 SERIES

UL Recognized • Non-Grounded
 Maximum Rating: 75 Watts, 125 Volts

Brass Shell
 6" Wire Leads
 Black Polyester Housing



03-15

19/32" O.D.

1-1/8"

1/32"

"A"

Mounting Hole Diagram

1"

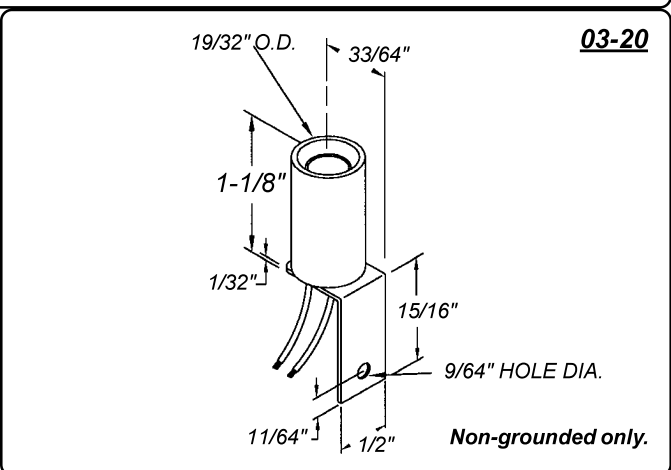
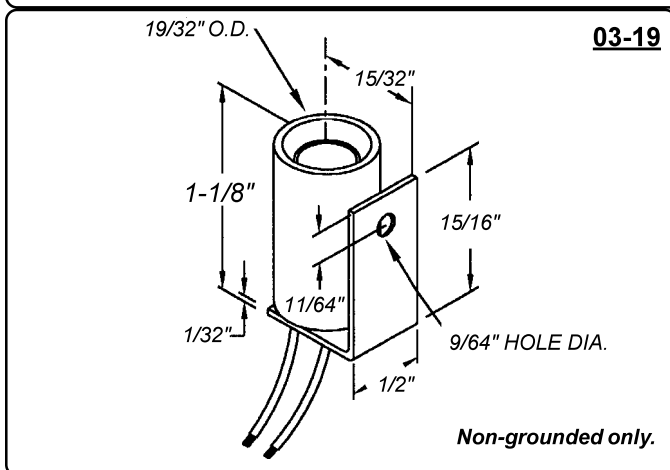
13/16"

9/64"

Bracket No.	"A" Dimension
-15	1-5/32"
-18	1-13/32"
-82	15/16"

Maximum Panel Thickness .045"

Non-grounded only.



Miniature Bayonet

3 SERIES

UL Recognized • Non-Grounded
 Maximum Rating: 75 Watts, 125 Volts

Brass Shell
 6" Wire Leads
 Black Polyester Housing

