

DRAWING MADE IN THIRD ANGLE PROJECTION

3

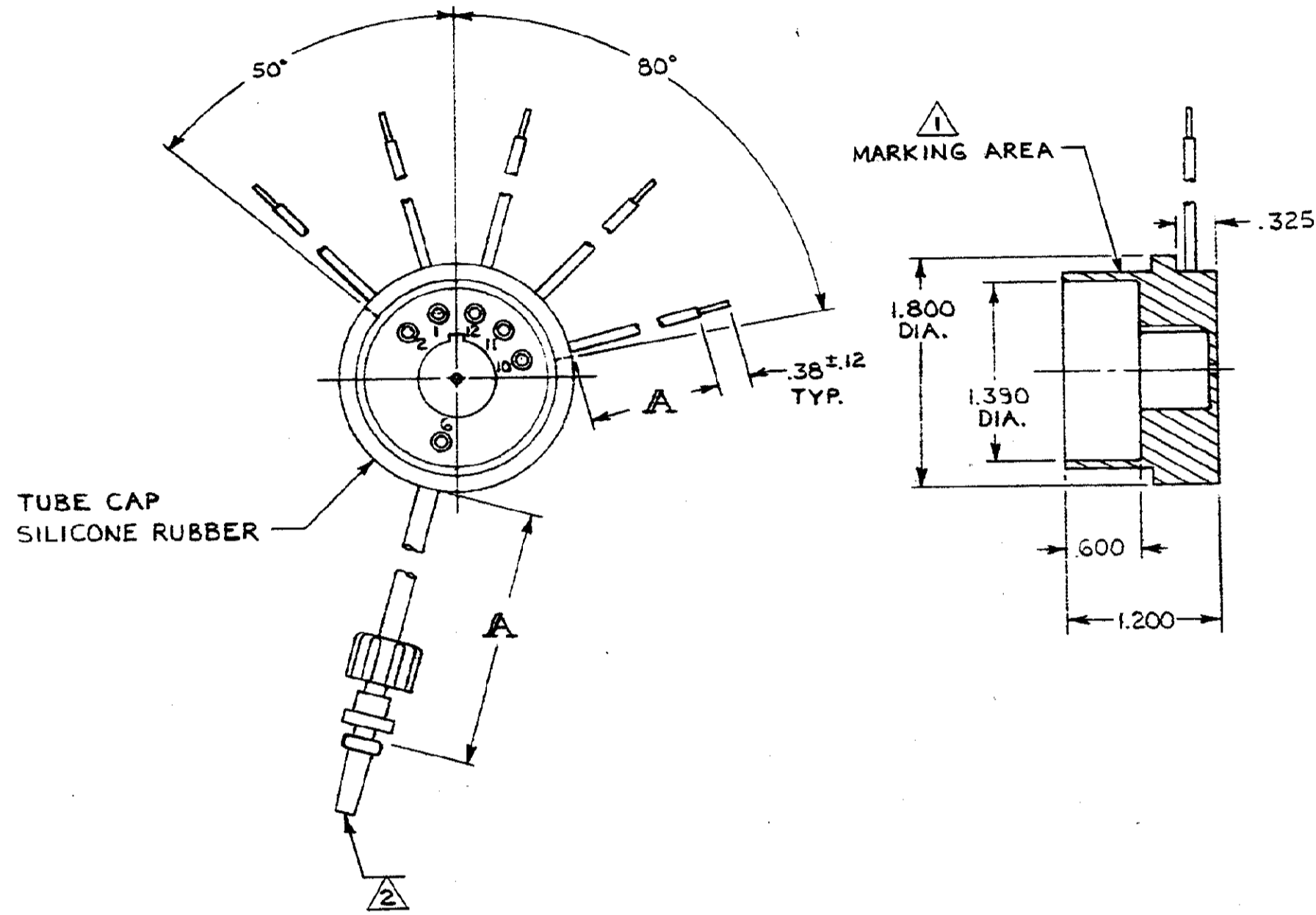
2

1

LOC L 37

THIS DRAWING IS UNPUBLISHED. RELEASED FOR PUBLICATION
 © COPYRIGHT 19 BY AMP INCORPORATED, HARRISBURG, PA. ALL INTERNATIONAL RIGHTS RESERVED. AMP PRODUCTS MAY BE COVERED BY U.S. AND FOREIGN PATENTS AND/OR PATENTS PENDING.

REVISIONS					
P	F	ZONE/LTR	DESCRIPTION	DATE	APPROVED
		0	RELEASE.	RPH	<i>[Signature]</i>



- △ AMP P/N, DATE CODE AND CUSTOMER P/N, 875587-1, MARKED ON APPROX. AREA SHOWN.
- △ TO MATE WITH AMP LGH 1/2 RECEPTACLE WITH .53 BARREL DEPTH.

SOCKET NO.	A	LEAD COLOR
1	27.00±.50	BROWN
2	24.00±.50	GREEN
6	10.00±.50	WHITE
10	24.00±.50	ORANGE
11	24.00±.50	YELLOW
12	27.00±.50	BROWN

UNLESS OTHERWISE SPECIFIED DIMENSIONS ARE IN INCHES. TOLERANCES ON: DECIMALS ±.015 ANGLES ±1°	CONTRACT NO.	AS SHOWN	868014-1
	DR <i>R.B. Hooper 5-3-84</i>	DESCRIPTION	PART NO
MATERIAL	CHK	AMP AMP INCORPORATED Harrisburg, Pa. 17105	
FINISH	APPD <i>W.D. Lockman 5/11/84</i>	NAME TUBE BASE 12 POSITION	
	DSGN APPD	SIZE C	FSCM NO 00779
	OTHER APPD	DRAWING NO 868014	
		SCALE NTS	SHEET 1/1

CUSTOMER DRAWING