

**SAW Filter: 1224.0MHz**  
**Part No: MP05600**

**Model: TA1617A**  
**Rev No: 1**

**A. MAXIMUM RATING:**

Electrostatic Sensitive Device (ESD)

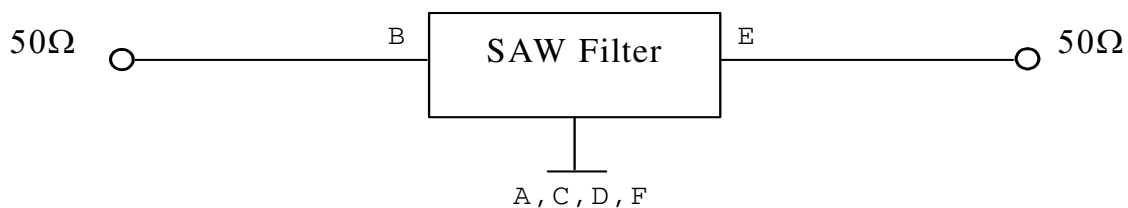
1. Input Power Level: 10dBm
2. DC voltage: 3V
3. Operating Temperature: -40°C to +85°C
4. Storage Temperature: -40°C to +85°C

**B. ELECTRICAL CHARACTERISTICS:**

Item	Unit	Min.	Typ.	Max.
Center frequency Fc	MHz	-	1224	-
Insertion loss (1170 ~ 1278MHz) IL	dB	-	4.4	5.5
Pass Band Ripple (1170 ~ 1278MHz)	dB	-	2.4	3.5
Group Delay Variation (1170 ~ 1278MHz)	ns	-	12	30
Return loss (1170 ~ 1278MHz)	dB	6	6.8	-
Attenuation (Reference level from 0dB)				
50 ~ 1025MHz	dB	18	27	-
1320 ~ 2000MHz	dB	9	18	-
Temperature Coefficient of Frequency	ppm/°C	-	-80	-

**C. MEASUREMENT CIRCUIT:**

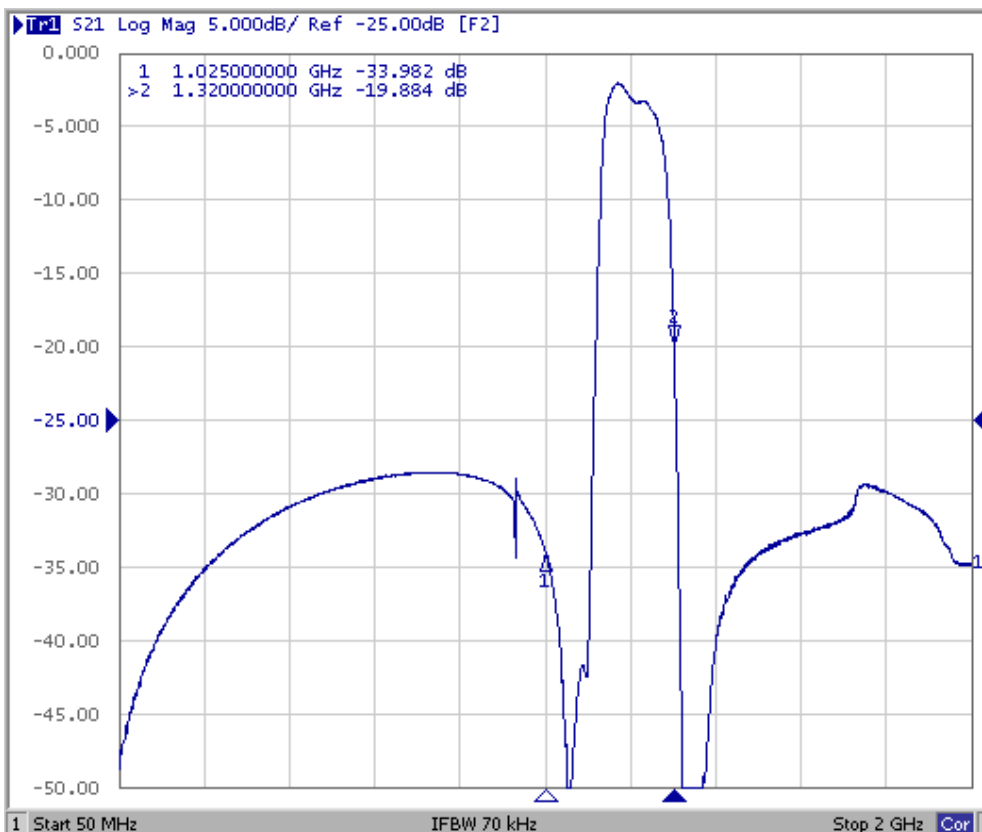
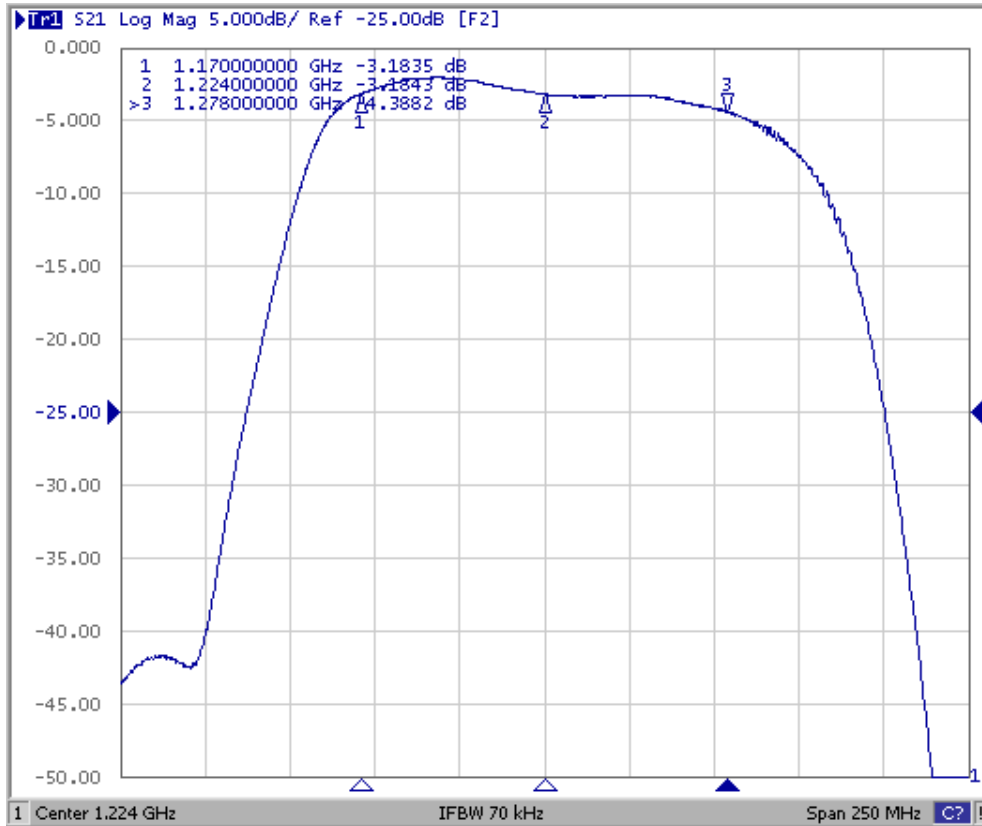
HP Network analyzer



**SAW Filter: 1224.0MHz**  
**Part No: MP05600**

**Model: TA1617A**  
**Rev No: 1**

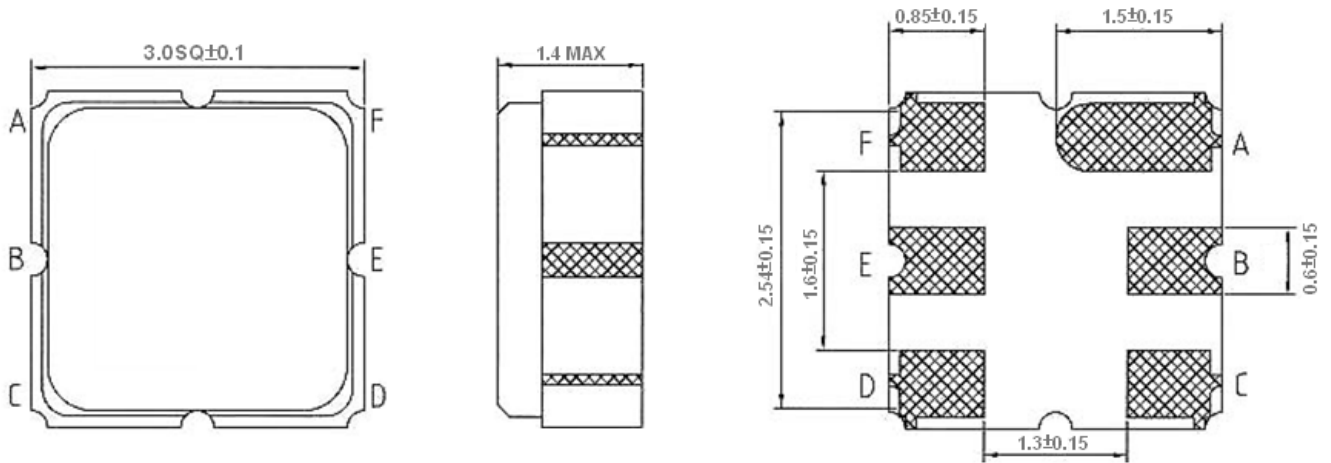
**D. FREQUENCY CHARACTERISTICS:**



**SAW Filter: 1224.0MHz**  
**Part No: MP05600**

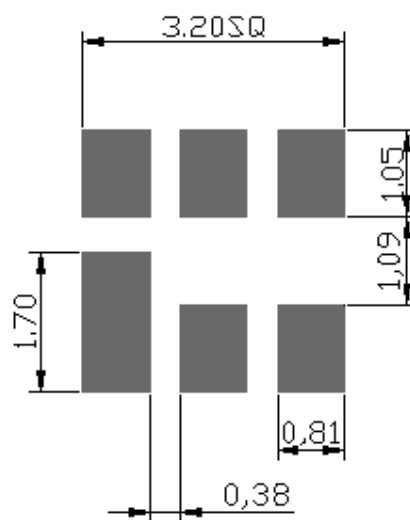
**Model: TA1617A**  
**Rev No: 1**

**E. OUTLINE DRAWING:**



B: Input  
E: Output  
A, C, D, F: Ground  
Unit: mm

**F. PCB FOOTPRINT:**



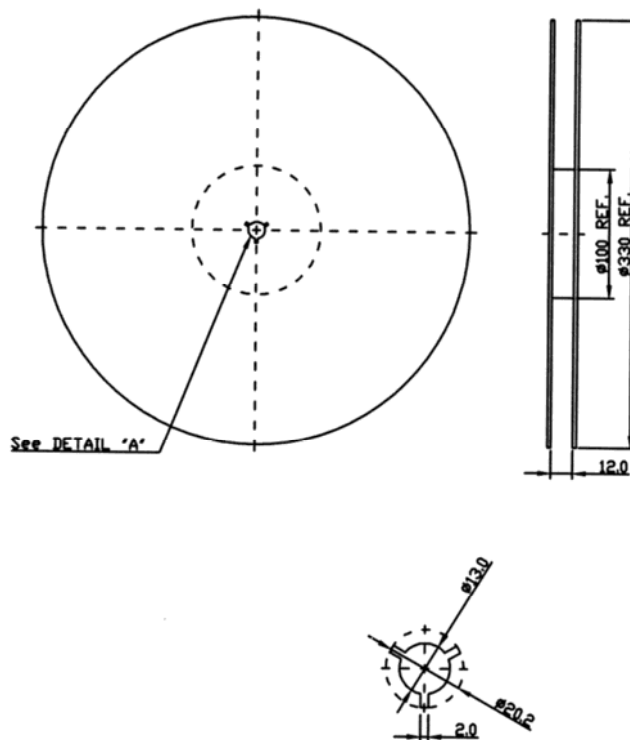
**SAW Filter: 1224.0MHz**  
**Part No: MP05600**

**Model: TA1617A**  
**Rev No: 1**

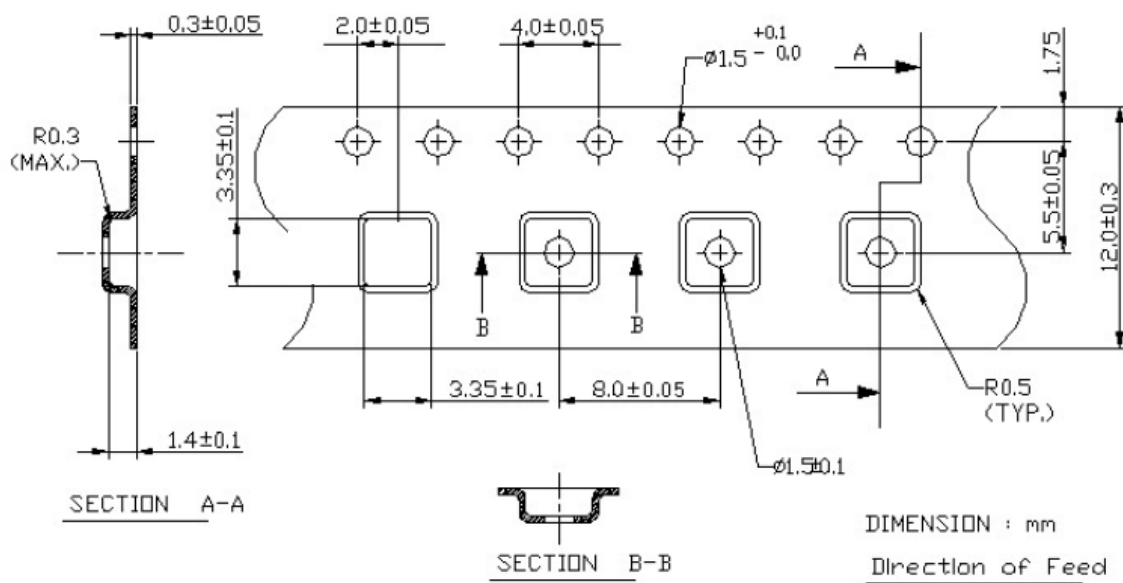
**G. PACKING:**

1. Reel Dimension

(Please refer to FR-75D10 for packing quantity)



2. Tape Dimension



**SAW Filter: 1224.0MHz**  
**Part No: MP05600**

**Model: TA1617A**  
**Rev No: 1**

**H. RECOMMENDED REFLOW PROFILE:**

