

D X X P 3 3 E 6 X X 1 2 L F

SEE NOTE RoHS

SERIES

NO.OF CONTACTS

09,15,25,37

TYPE OF CONTACTS

P-PIN

TYPE OF TERMINATION

33-ANGLED SPILL

PITCH 2.84 USA

FOOT PRINT 8.08 USA

HEIGHT OF TERMINATION

E-2.00mm COMPATIBLE FOR 1.6mm PCB

**RoHS INFORMATIONS**

"This LF product meets European Union Directives and other country regulations as described in GS-22-008"

The housing will withstand exposure to 260°C peak temperature for 30 seconds in a convection,infra-red or vapor reflow oven solder application.

Packaging as per GS-14-920

**PRODUCT SPECIFICATION**

See :- GS-12-433

**PACKAGING SPECIFICATION**

See :- GS-14-1139

PACKAGING SPECIFICATION

12- TAPE & REEL PACKAGING

MOUNTING OPTIONS

RV->LIF METAL PEG+F.SCREW LOCK UNC 4 40+METAL BRACKET

RL->LIF METAL PEG+ INSERT M3+METAL BRACKET

RX->LIF METAL PEG+ INSERT UNC 4-40 +METAL BRACKET

PLATING

6-500 Mating/Un-mating performance



Copyright FCI

mat'l. code SEE.TECH.SPEC				surface ISO 1302 <input checked="" type="checkbox"/>		tolerance ISO 406 ISO 1101		projection 		product family DELTA-D			
ltr				ecn no		dr		date		tolerances unless otherwise specified		title	
A				107-0167		AS		2007-12-04		angles		linear	
B				108-0175		AS		2009-01-14		0°±1°		.00±0.1	
C				109-0162		AS		2009-08-17		.000±.00X		MM	
										scale		-	
										dr		ANISHSALAM 2007-12-04	
										engr		ANISHSALAM 2009-08-17	
										chr		ANISHSALAM 2009-08-17	
										appd		ANISHSALAM 2009-08-17	
sheet index		revision sheet		C		C						FCI	
1		2		1		2						sheet 1 of 2 size 5 A3	
												dwg no G-DD-0101	
												type Product Customer Drawing	

1

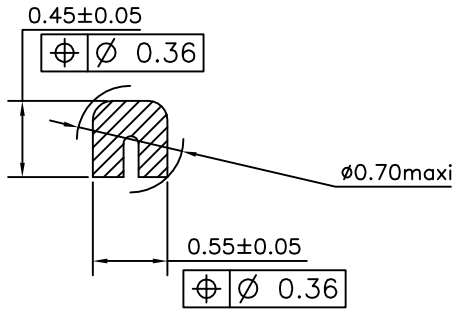
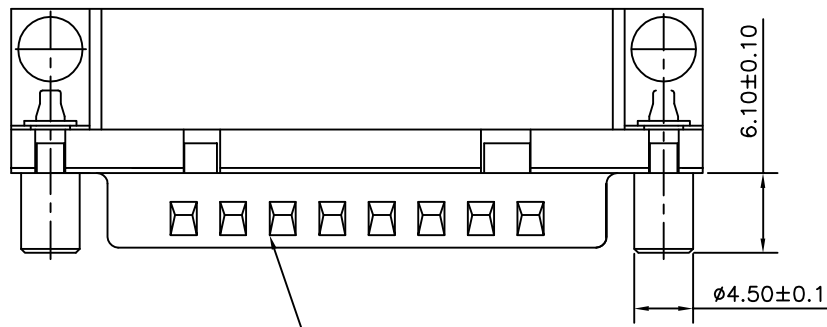
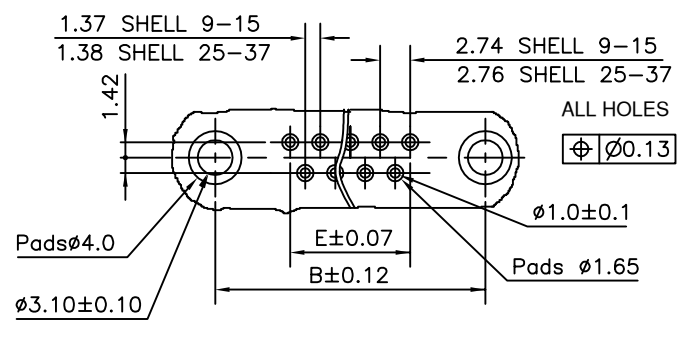
2 3

4

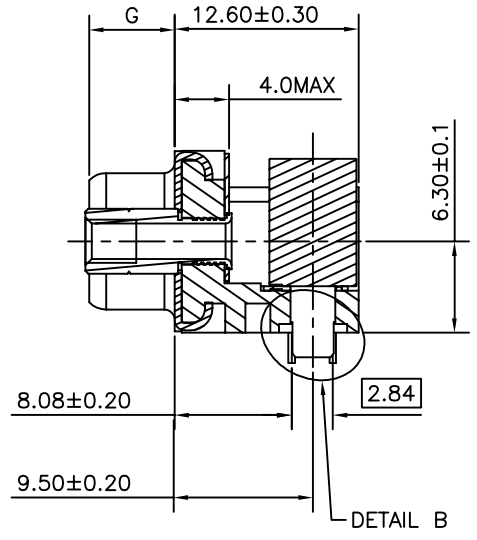
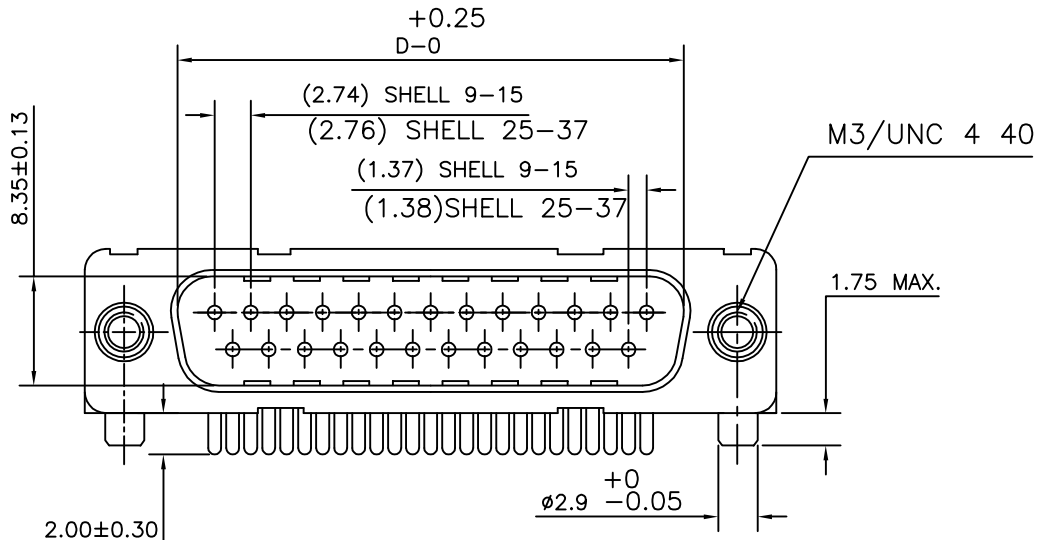
5

6

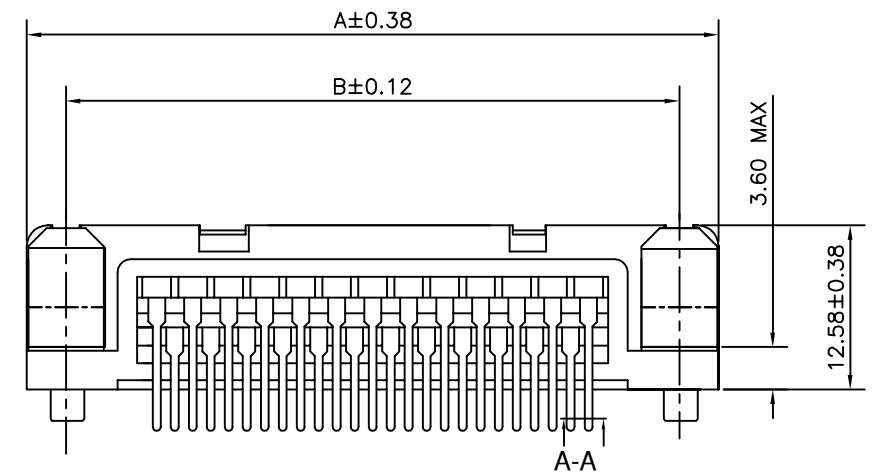
37	69.32	63.50	55.30	49.68	5.70 <sup>+0.25</sup> <sub>-0</sub>
25	53.03	47.04	38.84	33.12	5.70 <sup>+0.25</sup> <sub>-0</sub>
15	39.14	33.32	25.12	19.18	5.90 <sup>+0.15</sup> <sub>-0</sub>
09	30.81	24.99	16.79	10.96	5.90 <sup>+0.15</sup> <sub>-0</sub>
SHELL	A	B	D	E	G



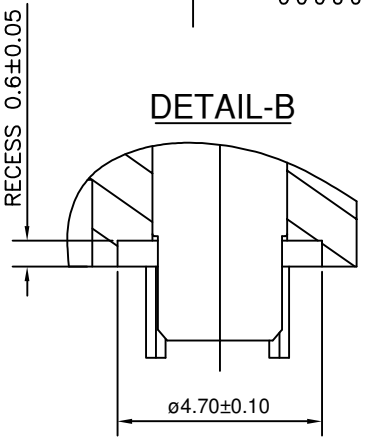
SECTION A - A



DETAIL B



A-A

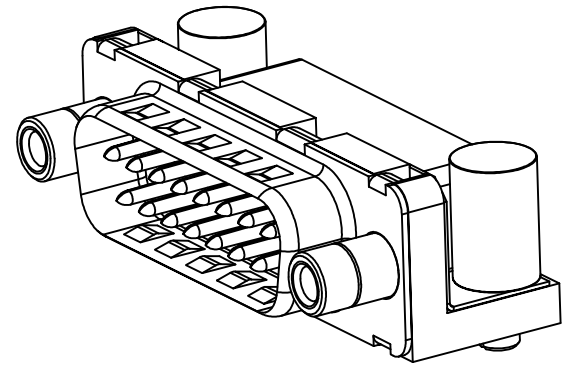


DETAIL-B

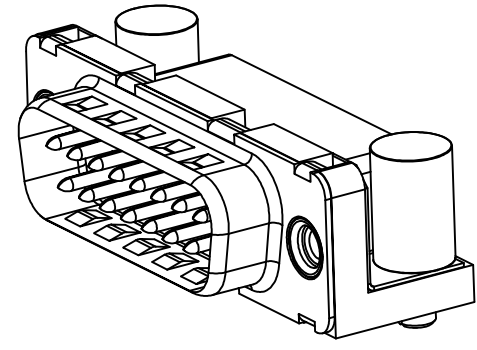
TRUE POSITIONING : ø0.36

ACCESSORIES DETAILS

RV VERSION



RX/RL VERSION



mat'l. code SEE.TECH.SPEC				surface ISO 1302 ✓		tolerance ISO 406 ISO 1101		projection MM		product family DELTA-D			
ltr				ecn no		dr		date		title DELTA-D A/S MALE PIP CONNECTOR US VERSION			
A				107-0167		AS		2007-12-04		angles		linear	
B				108-0175		AS		2009-01-14		0°±1°		.000±0.0X	
C				109-0162		AS		2009-08-17		scale		-	
sheet				revision		C		C		dr		ANISHSALAM 2007-12-04	
index				sheet		1		2		engr		ANISHSALAM 2009-08-17	
										chr		ANISHSALAM 2009-08-17	
										appd		ANISHSALAM 2009-08-17	
										sheet		sheet 2 of 2 size 5	
										type		Product Customer Drawing	
										dwg no		G-DD-0101 A3	



FCI  
FCIconnect.com

Copyright FCI