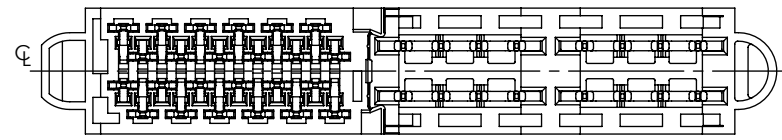
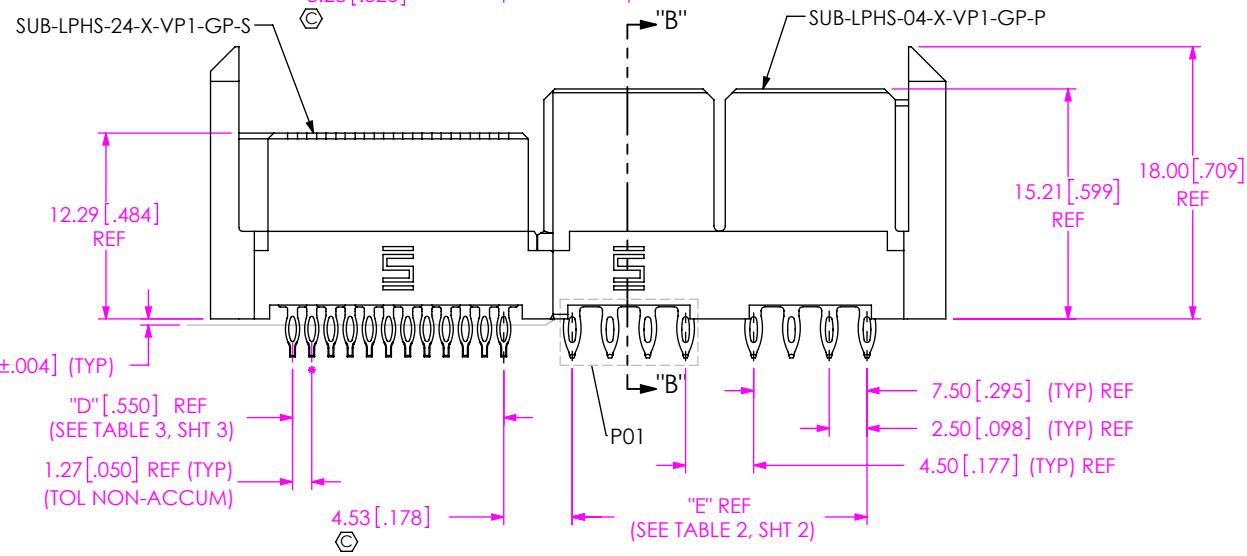
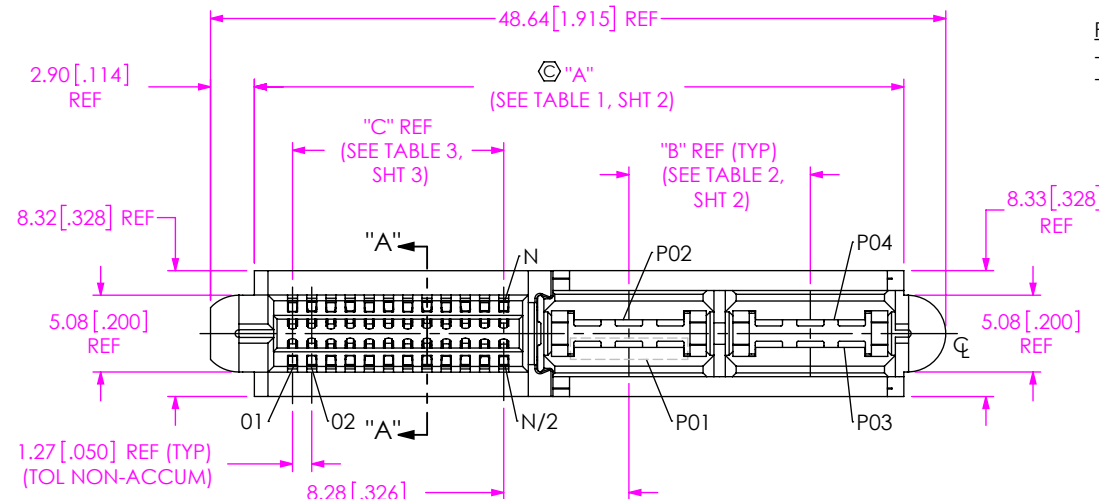


DO NOT SCALE FROM THIS PRINT



POWER POS (TOTAL)
-00, -02, -04, -06, -08, -10, *-12, *-14

SIGNAL POS (TOTAL)
-00, -12, -16, -20, -24, -28, -32, *-36, *-40

(* = NOT TOOLED)

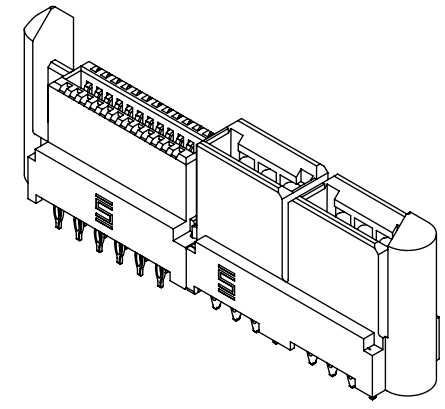
OPTION
 -GP: GUIDE POST
-BLANK: NO GP OPTION

TAIL
-VP1: PRESS FIT
*-VT1: FOR .062" BOARD
*-VT2: FOR .093" BOARD

PLATING SPECIFICATION
-L: 10μ" GOLD IN CONTACT AREA, MATTE TIN TAIL
-S: 30μ" GOLD IN CONTACT AREA, MATTE TIN TAIL (SEE NOTE 6)

= (-00 POWER POS & -00 SIGNAL POS NOT AVAILABLE ON -GP OPTION)

DESIGNED & DIMENSIONED IN MILLIMETERS [INCHES]



POWER POS	BOW
-02, -04	0.15 [.006]
-06, -08, -10, -12, -14	0.20 [.008]

FIG 1
LPHS-04-24-X-VP1-GP SHOWN

NOTES:

1. Ⓢ REPRESENTS A CRITICAL DIMENSION.
2. MINIMUM PUSHOUT FORCE: 0.5 LBS OF SIGNAL & 3.0 LBS OF POWER PINS.
3. MAXIMUM ALLOWABLE BOW SEE TABLE 5.
4. ASSEMBLIES TO BE PACKAGED IN TRAYS.
5. APPLICATION TOOLING REQUIRED FOR TERMINATIONS, SEE TABLE 6.
6. SELECTIVE PLATING LUBRICATED WITH ACCL-53T WHICH CAN BE DETECTED USING A UVA ULTRAVIOLET LIGHT SOURCE.
7. ORDERS WILL BE PACKAGED ACCORDING TO THE SAMTEC PACKAGING EFFICIENCY STANDARDS (SPES) FOUND ON WWW.SAMTEC.COM

UNLESS OTHERWISE SPECIFIED, DIMENSIONS ARE IN MILLIMETERS.

TOLERANCES ARE:

DECIMALS ANGLES

X.X: ±0.3 [.01] 2°

X.XX: ±0.13 [.005]

X.XXX: ±0.051 [.0020]

PROPRIETARY NOTE

THIS DOCUMENT CONTAINS CONFIDENTIAL AND PROPRIETARY INFORMATION AND ALL DESIGN, MANUFACTURING, REPRODUCTION, USE, PATENT RIGHTS AND SALES RIGHTS ARE EXPRESSLY RESERVED BY SAMTEC, INC. THIS DOCUMENT SHALL NOT BE DISCLOSED, IN WHOLE OR PART, TO ANY UNAUTHORIZED PERSON OR ENTITY NOR REPRODUCED, TRANSFERRED OR INCORPORATED IN ANY OTHER PRODUCT IN ANY MANNER WITHOUT THE EXPRESS WRITTEN CONSENT OF SAMTEC, INC.

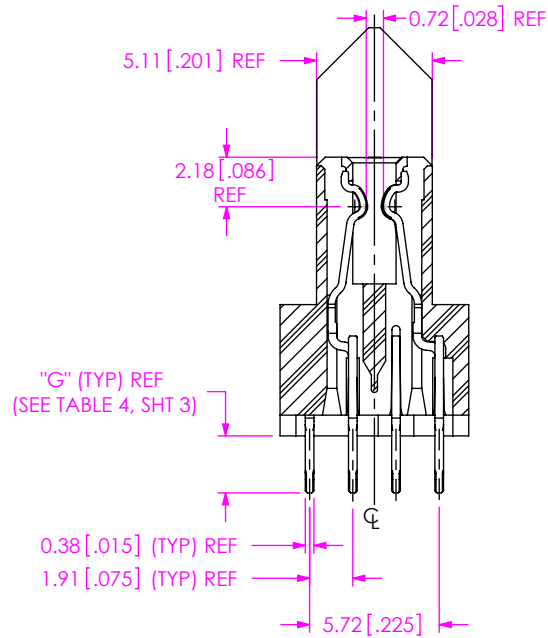
MATERIAL: DO NOT SCALE DRAWING SHEET SCALE: 2:1

INSULATOR: LCP ULV-0, COLOR: BLACK

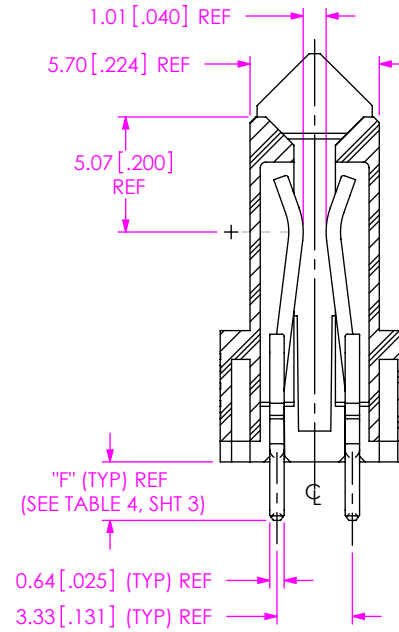
TERMINAL: COPPER ALLOY

520 PARK EAST BLVD, NEW ALBANY, IN 47150
PHONE: 812-944-6733 FAX: 812-948-5047
e-Mail info@SAMTEC.com code 55322

DESCRIPTION:	LPHS-VT ASSEMBLY	
DWG. NO.	LPHS-XX-XX-X-VXX-XX	
BY:	VICKY Z	12/10/2011 SHEET 1 OF 4



SECTION "A"-"A"



SECTION "B"-"B"

TABLE 1

SIGNAL POS	POWER POSITION						
	-02	-04	-06	-08	-10	-12	-14
	"A"	"A"	"A"	"A"	"A"	"A"	"A"
-12	23.34 [0.919]	35.34 [1.391]	47.34 [1.864]	59.34 [2.336]	71.34 [2.809]	83.34 [3.281]	95.34 [3.754]
-16	25.88 [1.019]	37.88 [1.491]	49.88 [1.964]	61.88 [2.436]	73.88 [2.909]	85.88 [3.381]	97.88 [3.854]
-20	28.42 [1.119]	40.42 [1.591]	52.42 [2.064]	64.42 [2.536]	76.42 [3.009]	88.42 [3.481]	100.42 [3.954]
-24	30.96 [1.219]	42.96 [1.691]	54.96 [2.164]	66.96 [2.636]	78.96 [3.109]	90.96 [3.581]	102.96 [4.054]
-28	33.50 [1.319]	45.50 [1.791]	57.50 [2.264]	69.50 [2.736]	81.50 [3.209]	93.50 [3.681]	105.50 [4.154]
-32	36.04 [1.419]	48.04 [1.891]	60.04 [2.364]	72.04 [2.836]	84.04 [3.309]	96.04 [3.781]	108.04 [4.254]
-36	38.58 [1.519]	50.58 [1.991]	62.58 [2.464]	74.58 [2.936]	86.58 [3.409]	98.58 [3.881]	110.58 [4.354]
-40	41.12 [1.619]	53.12 [2.091]	65.12 [2.564]	77.12 [3.036]	89.12 [3.509]	101.12 [3.981]	113.12 [4.454]

TABLE 2

POWER POS	"B"	"E"
-00	N/A	N/A
-02	N/A	N/A
-04	12.00 [0.472]	19.50 [0.768]
-06	24.00 [0.945]	31.50 [1.240]
-08	36.00 [1.417]	43.50 [1.713]
-10	48.00 [1.890]	55.50 [2.185]
-12	60.00 [2.362]	67.50 [2.657]
-14	72.00 [2.835]	79.50 [3.130]

F:\DWG\MISC\MKTG\LPHS-XX-XX-X-VXX-XX-MKT.SLDDRW

PROPRIETARY NOTE

THIS DOCUMENT CONTAINS CONFIDENTIAL AND PROPRIETARY INFORMATION AND ALL DESIGN, MANUFACTURING, REPRODUCTION, USE, PATENT RIGHTS AND SALES RIGHTS ARE EXPRESSLY RESERVED BY SAMTEC, INC. THIS DOCUMENT SHALL NOT BE DISCLOSED, IN WHOLE OR PART, TO ANY UNAUTHORIZED PERSON OR ENTITY NOR REPRODUCED, TRANSFERRED OR INCORPORATED IN ANY OTHER PROJECT IN ANY MANNER WITHOUT THE EXPRESS WRITTEN CONSENT OF SAMTEC, INC.

DO NOT SCALE DRAWING

SHEET SCALE: 3:1



520 PARK EAST BLVD, NEW ALBANY, IN 47150
 PHONE: 812-944-6733 FAX: 812-948-5047
 e-Mail info@SAMTEC.com code 55322

DESCRIPTION: LPHS-VT ASSEMBLY

DWG. NO. LPHS-XX-XX-X-VXX-XX

BY: VICKY Z 12/10/2011 SHEET 2 OF 4

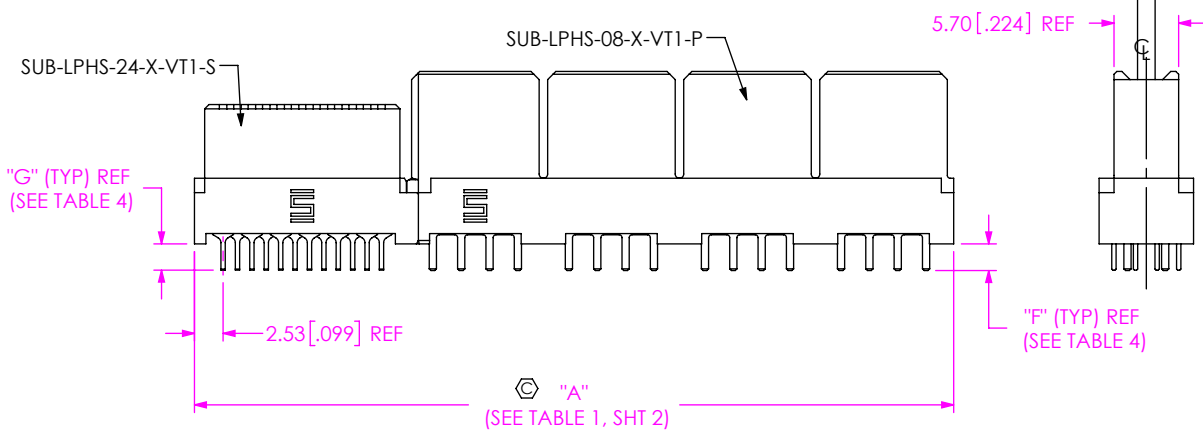
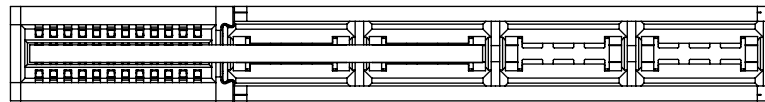


FIG 2
LPHS-08-24-X-VT1 SHOWN
(DIFFERENT AS SHOWN, OTHERWISE SAME AS FIG 1)
(NOT TOOLED)

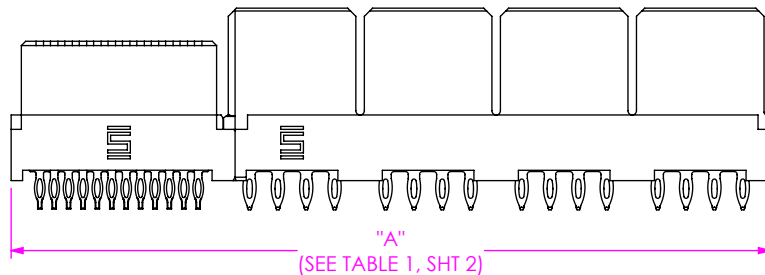


FIG 5
LPHS-08-24-X-VP1 SHOWN
(DIFFERENT AS SHOWN, OTHERWISE SAME AS FIG 1)

TABLE 4				
TAIL	POWER		SIGNAL	
	CONTACT	"F"	CONTACT	"G"
-VP1	C-367-01-X	2.58[.102]	C-379-01-X & C-380-01-X	2.51[.099]
-VT1	C-367-02-X	2.35[.093]	C-379-02-X & C-380-02-X	2.31[.091]
-VT2	C-367-03-X	3.13[.124]	C-379-03-X & C-380-03-X	3.06[.120]

TABLE 6						
POWER POS	SIGNAL POS	CAT FIXTURE NO	POWER POS	SIGNAL POS	CAT FIXTURE NO	
-02	-12	CAT-PT-LPHS-02-12	-10	-12	CAT-PT-LPHS-10-12	
	-16	CAT-PT-LPHS-02-16		-16	CAT-PT-LPHS-10-16	
	-20	CAT-PT-LPHS-02-20		-20	CAT-PT-LPHS-10-20	
	-24	CAT-PT-LPHS-02-24		-24	CAT-PT-LPHS-10-24	
	-28	CAT-PT-LPHS-02-28		-28	CAT-PT-LPHS-10-28	
	-32	CAT-PT-LPHS-02-32		-32	CAT-PT-LPHS-10-32	
-04	-36	CAT-PT-LPHS-02-36	-12	-36	CAT-PT-LPHS-10-36	
	-40	CAT-PT-LPHS-02-40		-40	CAT-PT-LPHS-10-40	
	-12	CAT-PT-LPHS-04-12		-14	-12	CAT-PT-LPHS-14-12
	-16	CAT-PT-LPHS-04-16			-16	CAT-PT-LPHS-14-16
	-20	CAT-PT-LPHS-04-20			-20	CAT-PT-LPHS-14-20
	-24	CAT-PT-LPHS-04-24			-24	CAT-PT-LPHS-14-24
-28	CAT-PT-LPHS-04-28	-28	CAT-PT-LPHS-14-28			
-32	CAT-PT-LPHS-04-32	-32	CAT-PT-LPHS-14-32			
-06	-36	CAT-PT-LPHS-04-36	-14	-36	CAT-PT-LPHS-14-36	
	-40	CAT-PT-LPHS-04-40		-40	CAT-PT-LPHS-14-40	
	-12	CAT-PT-LPHS-06-12		-08	-12	CAT-PT-LPHS-08-12
	-16	CAT-PT-LPHS-06-16			-16	CAT-PT-LPHS-08-16
	-20	CAT-PT-LPHS-06-20			-20	CAT-PT-LPHS-08-20
	-24	CAT-PT-LPHS-06-24			-24	CAT-PT-LPHS-08-24
-28	CAT-PT-LPHS-06-28	-28	CAT-PT-LPHS-08-28			
-32	CAT-PT-LPHS-06-32	-32	CAT-PT-LPHS-08-32			
-08	-36	CAT-PT-LPHS-06-36	-08	-36	CAT-PT-LPHS-08-36	
	-40	CAT-PT-LPHS-06-40		-40	CAT-PT-LPHS-08-40	

TABLE 3		
SIGNAL POS	"C"	"D"
-00	N/A	N/A
-12	6.35 [0.250]	6.35 [0.250]
-16	8.89 [0.350]	8.89 [0.350]
-20	11.43 [0.450]	11.43 [0.450]
-24	13.97 [0.550]	13.97 [0.550]
-28	16.51 [0.650]	16.51 [0.650]
-32	19.05 [0.750]	19.05 [0.750]
-36	21.59 [0.850]	21.59 [0.850]
-40	24.13 [0.950]	24.13 [0.950]

PROPRIETARY NOTE
THIS DOCUMENT CONTAINS CONFIDENTIAL AND PROPRIETARY INFORMATION AND ALL DESIGN, MANUFACTURING, REPRODUCTION, USE, PATENT RIGHTS AND SALES RIGHTS ARE EXPRESSLY RESERVED BY SAMTEC, INC. THIS DOCUMENT SHALL NOT BE DISCLOSED, IN WHOLE OR PART, TO ANY UNAUTHORIZED PERSON OR ENTITY NOR REPRODUCED, TRANSFERRED OR INCORPORATED IN ANY OTHER PROJECT IN ANY MANNER WITHOUT THE EXPRESS WRITTEN CONSENT OF SAMTEC, INC.

DO NOT SCALE DRAWING

SHEET SCALE: 3:2



520 PARK EAST BLVD, NEW ALBANY, IN 47150
PHONE: 812-944-6733 FAX: 812-948-5047
e-Mail: info@SAMTEC.com code 55322

DESCRIPTION: LPHS-VT ASSEMBLY

DWG. NO. LPHS-XX-XX-X-VXX-XX

BY: VICKY Z 12/10/2011 SHEET 3 OF 4

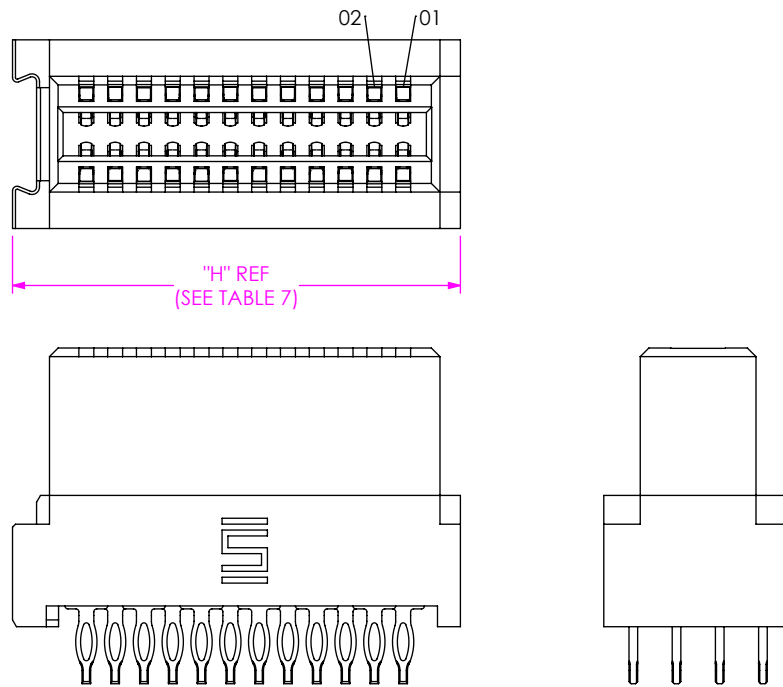


TABLE 7

SIGNAL POS	POWER POSITION	
	-00	"H"
-12	12.13	[0.478]
-16	14.67	[0.578]
-20	17.21	[0.678]
-24	19.75	[0.778]
-28	22.29	[0.878]
-32	24.83	[0.978]
-36	27.37	[1.078]
-40	29.91	[1.178]

FIG 3
LPHS-00-24-X-VP1 SHOWN
(DIFFERENT AS SHOWN, OTHERWISE SAME AS FIG 1)

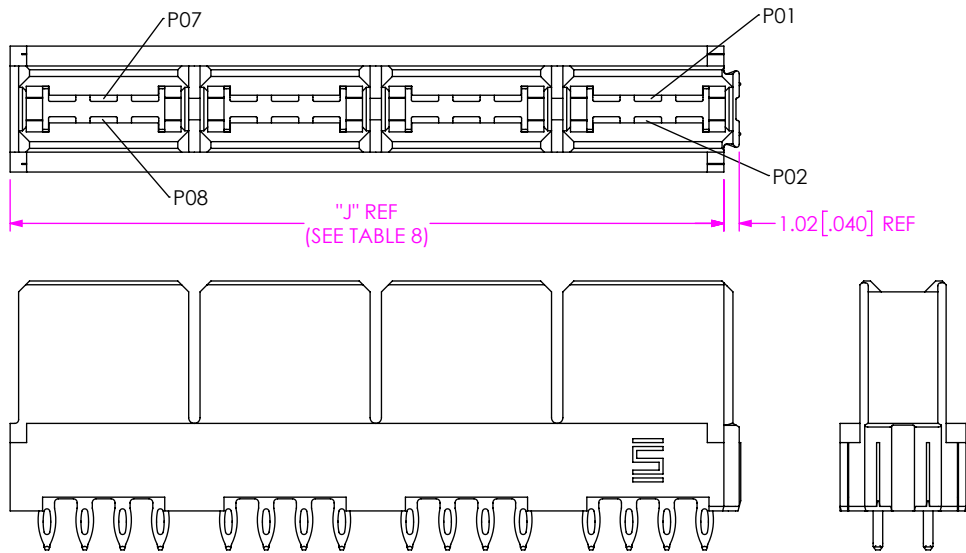


TABLE 8

POWER POS	SIGNAL POSITION	
	-00	"J"
-02	11.21	[0.441]
-04	23.21	[0.914]
-06	35.21	[1.386]
-08	47.21	[1.859]
-10	59.21	[2.331]
-12	71.21	[2.804]
-14	83.21	[3.276]

FIG 4
LPHS-08-00-X-VP1 SHOWN
(DIFFERENT AS SHOWN, OTHERWISE SAME AS FIG 1)

*** PROPRIETARY NOTE ***
THIS DOCUMENT CONTAINS CONFIDENTIAL AND PROPRIETARY INFORMATION AND ALL DESIGN, MANUFACTURING, REPRODUCTION, USE, PATENT RIGHTS AND SALES RIGHTS ARE EXPRESSLY RESERVED BY SAMTEC, INC. THIS DOCUMENT SHALL NOT BE DISCLOSED, IN WHOLE OR PART, TO ANY UNAUTHORIZED PERSON OR ENTITY NOR REPRODUCED, TRANSFERRED OR INCORPORATED IN ANY OTHER PROJECT IN ANY MANNER WITHOUT THE EXPRESS WRITTEN CONSENT OF SAMTEC, INC.

DO NOT SCALE DRAWING

SHEET SCALE: 3:1



520 PARK EAST BLVD, NEW ALBANY, IN 47150
PHONE: 812-944-6733 FAX: 812-948-5047
e-Mail info@SAMTEC.com code 55322

DESCRIPTION: LPHS-VT ASSEMBLY

DWG. NO. LPHS-XX-XX-X-VXX-XX

BY: VICKY Z 12/10/2011 SHEET 4 OF 4