



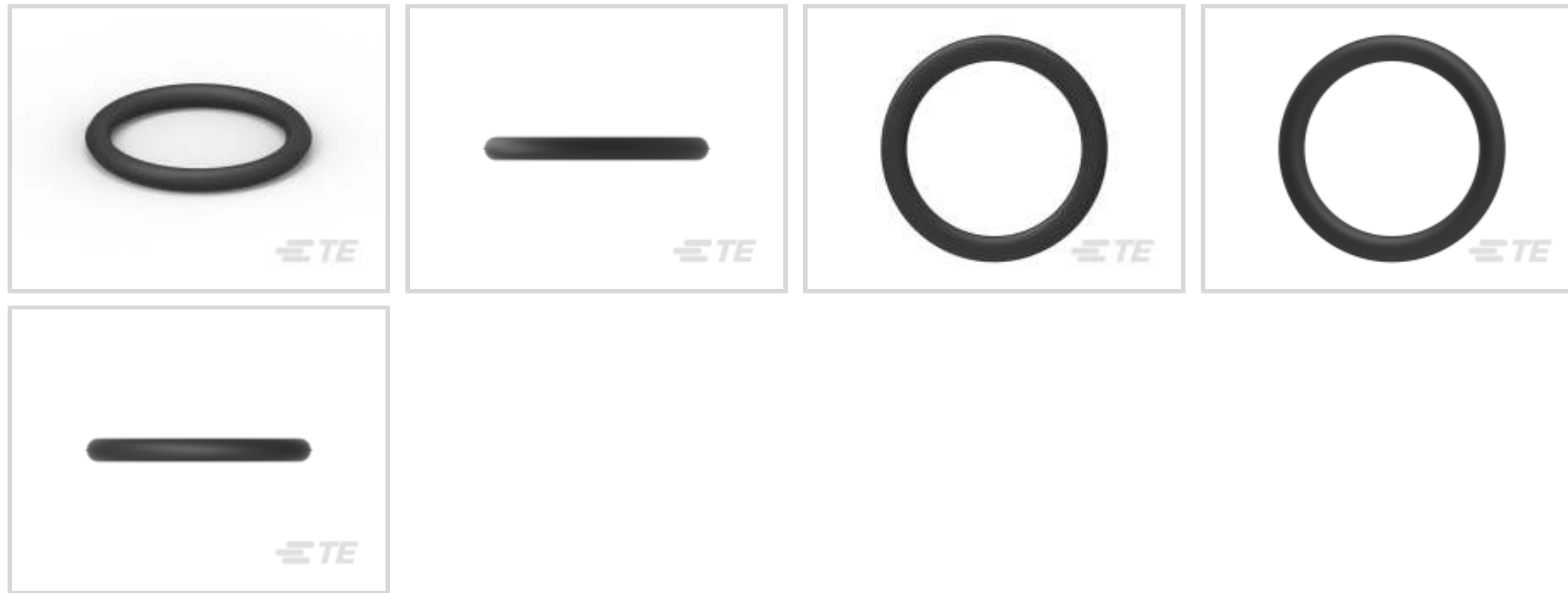
Econoseal

TE Internal #: 2822397-3

Automotive Seals & Cavity Plugs, O-Ring, NBR, Variable, 50,
Contains Lubricant, Black, -22 – 221 °F [-30 – 105 °C], Econoseal

[View on TE.com >](#)

Connectors > Automotive Connectors > Automotive Seals & Cavity Plugs



Connector Seal & Plug Type: **O-Ring**

Primary Product Material: **NBR**

Resistance to Hydrocarbons: **Variable**

Shore A Hardness: **50**

Operating Temperature (Max): **65 °C, 70 °C, 75 °C, 80 °C, 85 °C, 90 °C, 100 °C, 105 °C [149 °F, 158 °F, 167 °F, 176 °F, 185 °F, 194 °F, 212 °F, 221 °F]**

Features

Product Type Features

Connector Seal & Plug Type	O-Ring
----------------------------	--------

Body Features

Primary Product Material	NBR
Primary Product Color	Black

Usage Conditions

Operating Temperature (Max)	65 °C, 70 °C, 75 °C, 80 °C, 85 °C, 90 °C, 100 °C, 105 °C [149 °F][158 °F][167 °F][176 °F][185 °F][194 °F][212 °F][221 °F]
Operating Temperature Range	-30 – 105 °C [-22 – 221 °F]

Packaging Features

Packaging Quantity	250
Packaging Method	Bag

Other

Resistance to Hydrocarbons	Variable
----------------------------	----------



Shore A Hardness	50
Contains Lubricant	Yes

Product Compliance

[For compliance documentation, visit the product page on TE.com>](#)

EU RoHS Directive 2011/65/EU	Compliant
EU ELV Directive 2000/53/EC	Compliant
China RoHS 2 Directive MIIT Order No 32, 2016	No Restricted Materials Above Threshold
EU REACH Regulation (EC) No. 1907/2006	Current ECHA Candidate List: JUNE 2023 (235) Candidate List Declared Against: JAN 2023 (233) Does not contain REACH SVHC
Halogen Content	Low Halogen - Br, Cl, F, I < 900 ppm per homogenous material. Also BFR/CFR/PVC Free
Solder Process Capability	Not applicable for solder process capability

Product Compliance Disclaimer

This information is provided based on reasonable inquiry of our suppliers and represents our current actual knowledge based on the information they provided. This information is subject to change. The part numbers that TE has identified as EU RoHS compliant have a maximum concentration of 0.1% by weight in homogenous materials for lead, hexavalent chromium, mercury, PBB, PBDE, DBP, BBP, DEHP, DIBP, and 0.01% for cadmium, or qualify for an exemption to these limits as defined in the Annexes of Directive 2011/65/EU (RoHS2). Finished electrical and electronic equipment products will be CE marked as required by Directive 2011/65/EU. Components may not be CE marked. Additionally, the part numbers that TE has identified as EU ELV compliant have a maximum concentration of 0.1% by weight in homogenous materials for lead, hexavalent chromium, and mercury, and 0.01% for cadmium, or qualify for an exemption to these limits as defined in the Annexes of Directive 2000/53/EC (ELV). Regarding the REACH Regulation, the information TE provides on SVHC in articles for this part number is based on the latest European Chemicals Agency (ECHA) 'Guidance on requirements for substances in articles' posted at this URL: <https://echa.europa.eu/guidance-documents/guidance-on-reach>

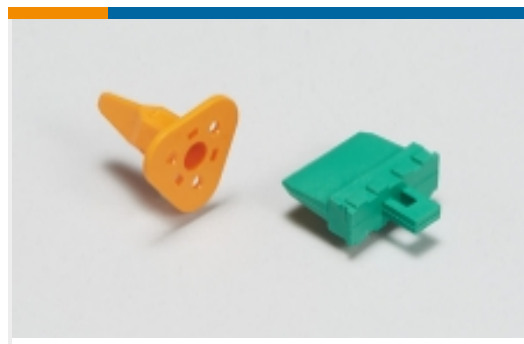
Compatible Parts



Also in the Series | [Econoseal](#)



Automotive Connector Caps & Covers (1)



Automotive Connector Locks & Position Assurance(25)



Automotive Housings(106)



Automotive Seals & Cavity Plugs(19)



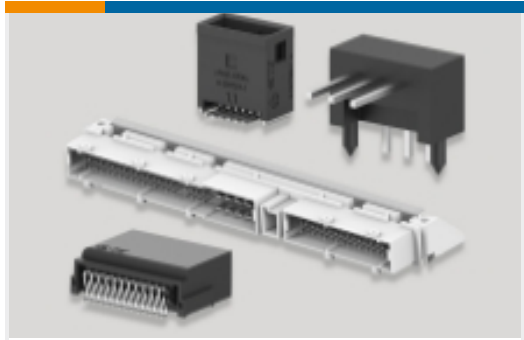
Automotive Terminals(48)



Insertion & Extraction Tools(7)



Other Automotive Connector Accessories(5)



PCB Headers & Receptacles(4)

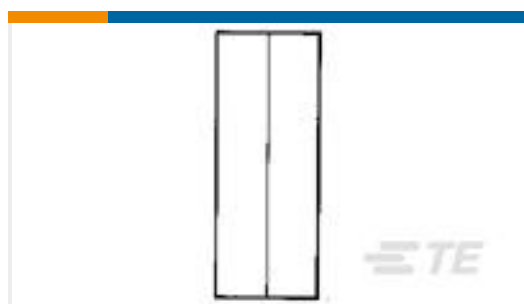


Primary Wire(1)

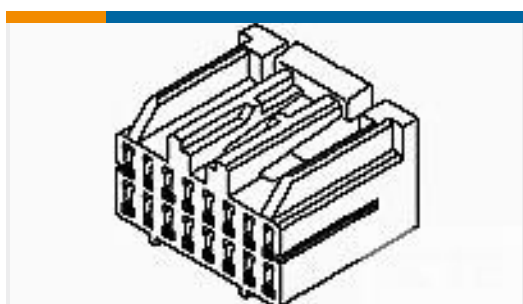
Customers Also Bought



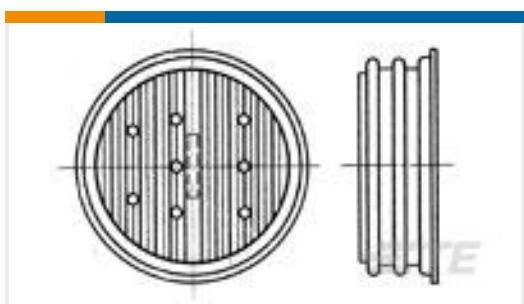
TE Part #DT04-2P-E005
REC, 2P, BLK, N, CAP



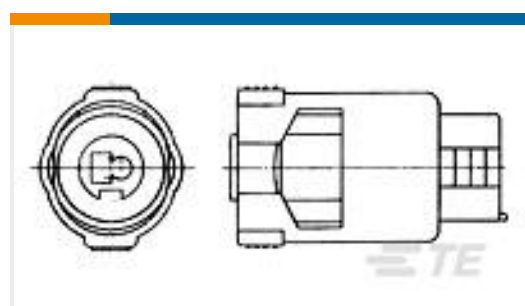
TE Part #34319
SPLICE,SOLIS PARA 6



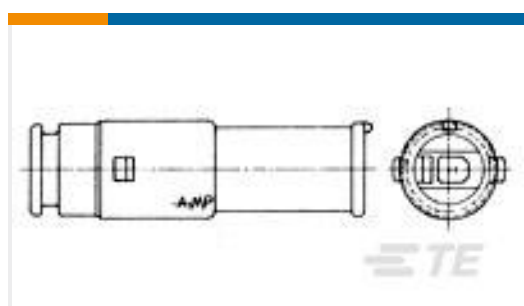
TE Part #179678-6
04/07-2 HD HYBRID PLUG ASY 16P



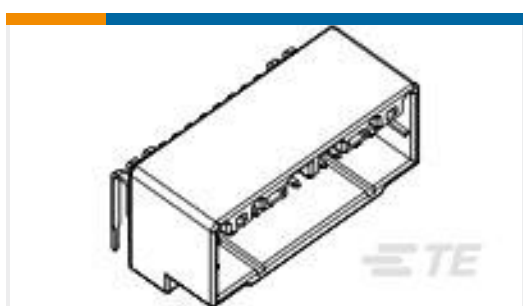
TE Part #172203-1
ECONOSEAL-J CONN RUBBER 3P



TE Part #172201-1
ECONOSEAL-J CONN PLUG 3P



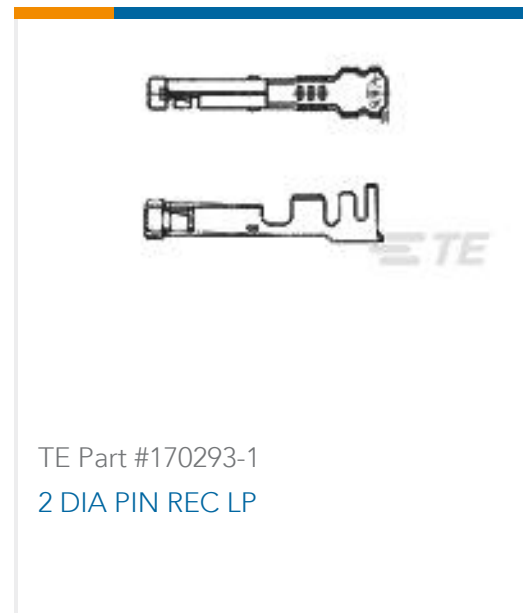
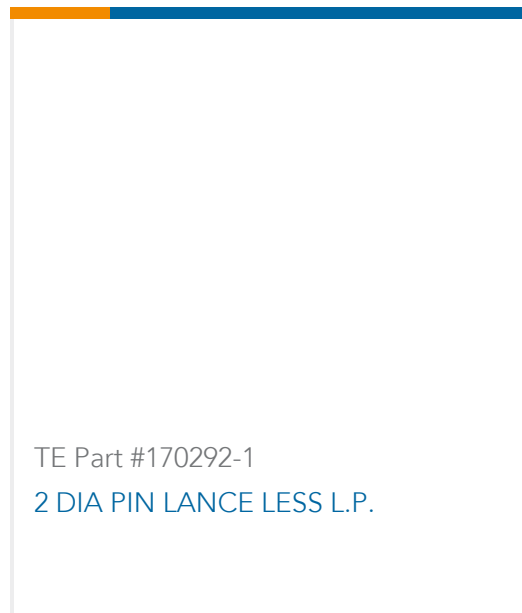
TE Part #172202-1
ECONOSEAL-J CONN CAP 3P NTRL



TE Part #178762-6
040/070 HYBRID CAP ASSY 26P



TE Part #170279-1
2 DIA PIN LANCE-LESS



Documents

Product Drawings

ECONOSEAL 2,3P O RING

Japanese

CAD Files

3D PDF

3D

Customer View Model

[ENG_CVM_CVM_2822397-3_A.2d_dxf.zip](#)

English

Customer View Model

[ENG_CVM_CVM_2822397-3_A.3d_igs.zip](#)

English

Customer View Model

[ENG_CVM_CVM_2822397-3_A.3d_stp.zip](#)

English

By downloading the CAD file I accept and agree to the [Terms and Conditions](#) of use.

Product Specifications

Product Specification

Japanese