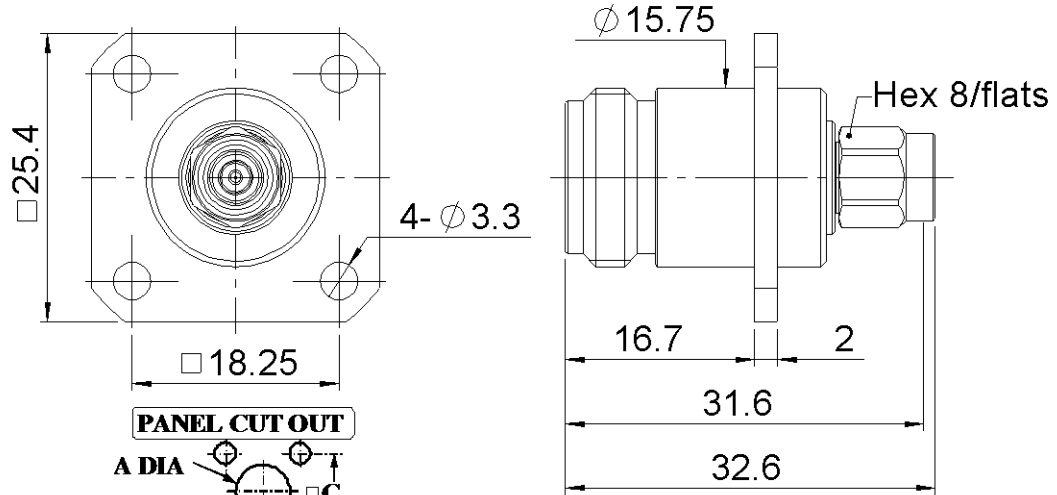
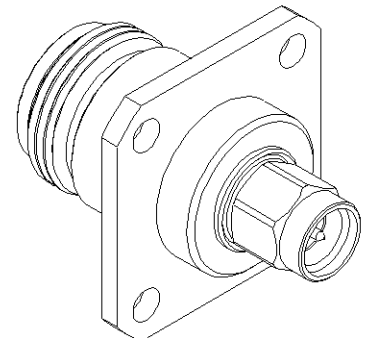
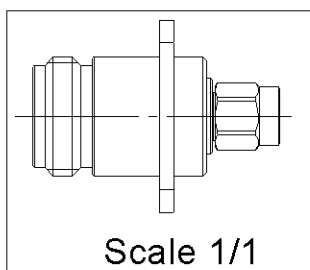


PAGE 1/2	ISSUE 07-12-16B	SERIES ADAPT	PART NUMBER R191377000
----------	-----------------	--------------	------------------------

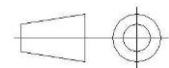


**PANEL CUT OUT**

	mm	
	Maxi	mini
A (R. Mount)	16.3	16.1
A (F. Mount)	16.3	16.1
B	3.30	3.20
C	18.35	18.15



All dimensions are in mm.



COMPONENTS	MATERIALS	PLATING (µm)
Body	<b>BRASS</b>	<b>NICKEL</b>
Center contact	<b>BERYLLIUM COPPER</b>	<b>GOLD OVER NICKEL</b>
Outer contact	-	-
Insulator	<b>PTFE</b>	
Gasket	<b>SILICONE RUBBER</b>	
Others parts	<b>BERYLLIUM COPPER</b>	<b>NICKEL</b>
SMA body	<b>BERYLLIUM COPPER</b>	<b>NICKEL .</b>
-	-	-

PAGE 2/2	ISSUE 07-12-16B	SERIES ADAPT	PART NUMBER <b>R191377000</b>
----------	-----------------	--------------	-------------------------------

PACKAGING

Standard	Unit	Other
<b>1</b>	-	<b>Contact us</b>

ELECTRICAL CHARACTERISTICS

Impedance		<b>50</b>	$\Omega$
Frequency		<b>0-11</b>	GHz
VSWR	<b>1.2</b> +	<b>0,0000</b>	x F(GHz) Maxi
Insertion loss		<b>0.08</b>	$\sqrt{F}$ (GHz) dB Maxi
RF leakage	- (	<b>NA</b>	- F(GHz) dB Maxi
Voltage rating		<b>500</b>	Veff Maxi
Dielectric withstanding voltage		<b>1500</b>	Veff mini
Insulation resistance		<b>5000</b>	M $\Omega$ mini

ENVIRONMENTAL

Operating	<b>-55/+155</b>	$^{\circ}\text{C}$
Hermetic seal	<b>NA</b>	Atm.cm3/s
Panel leakage	<b>NA</b>	

MECHANICAL CHARACTERISTICS

Center contact retention			
Axial force – Mating End		<b>*18</b>	N mini
Axial force – Opposite end		<b>*18</b>	N mini
Torque		<b>NA</b>	N.cm mini

SPECIFICATION

Recommended torque			
Mating	<b>N</b>	<b>0</b>	N.cm
	<b>SMA</b>	<b>110</b>	N.cm
	-	<b>0</b>	N.cm
Panel nut		<b>NA</b>	N.cm

OTHER CHARACTERISTICS

\* out of SMA CDC.

Mating life	<b>500</b>	Cycles mini
Weight	<b>36,9000</b>	g