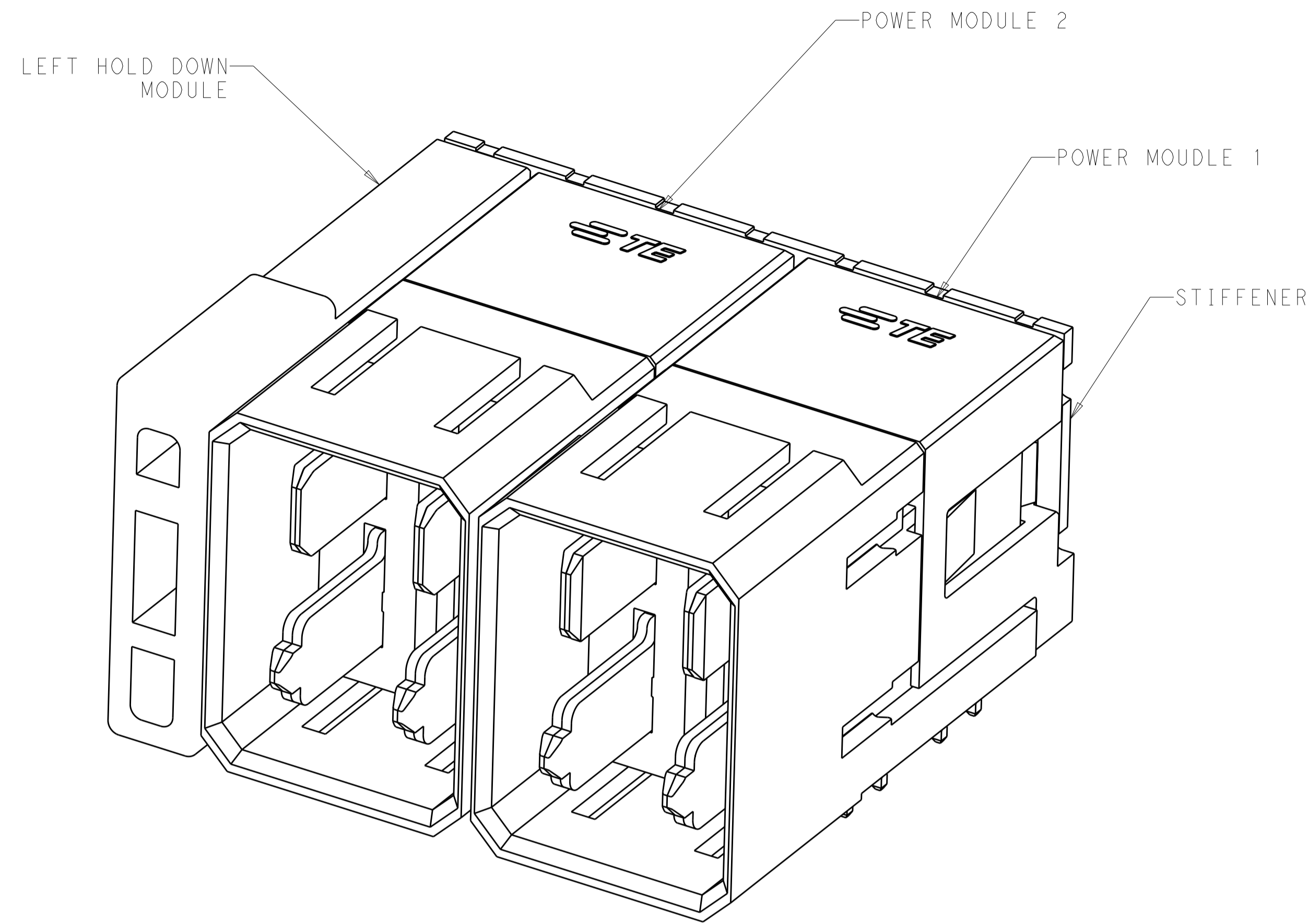


LOC	DIST	REVISIONS					
GP	00	P	LTN	DESCRIPTION	DATE	DWN	APVD
		A		INITIAL RELEASE	25MAY2012	LW	AC
		A1		REV PER ECR-12-010636	19JUN2012	LW	AC
		A2		REV PER ECR-13-000356	09JAN2013	LW	AC
		B		PER ECR-17-002092	16FEB2017	DS	SY



HEADER WITH LEFT HOLD DOWN MODULE

NOTES:

△ MATERIALS:

HOUSING: HIGH TEMP. THERMOPLASTIC GLASS/MINERAL FILLED UL94V-0
 TERMINAL: COPPER ALLOY

△ FINISH:

TIN OPTION-0.76um MIN GOLD AT CONTACT AREA AND
 1.27um MIN NICKEL UNDERPLATED OVER ALL
 2.54um TIN AT SOLDER TAIL AREA

TIN-LEAD OPTION-0.76um MIN GOLD AT CONTACT AREA AND
 1.27um MIN NICKEL UNDERPLATED OVER ALL
 2.54um TIN-LEAD AT SOLDER TAIL AREA

△ REFER TO TE'S PRODUCT SPECIFICATION: 108-2473
 FOR PLATED THROUGH-HOLE SPECIFICATION AND TORQUE FORCE

4 CONNECTOR WERE PACKED BY TRAY
 REFER TO TE'S PACKAGING SPECIFICATION: 107-97873

5 MATED WITH *-2169806-* OR *-2169853-*

△ LASER MARK PART NUMBER AND DATE CODE (YYWWDS)
 CAN BE AT THE OPPOSITE SIDE

△ ADD 11.40MM FOR EACH ADDITIONAL MODULE

8. REFER TO DOCUMENT NUMBER: 2169802 FOR INDIVIDUAL
 MODULE COMPONENT INFORMATION

△ FIRST POWER MODULE(1#) STARTS FROM THE RIGHT

△ DIMENSION P1&P2 FOR POWER MODULE 1, P3&P4 FOR POWER MODULE 2

△ COMPONENT STAY AWAY ZONE FROM CONNECTOR

△ ALL PARTS ARE SHIPPED WITH A 2-32 AB TYPE SELF-TAPPING
 SCREW P/N: 2057509-2

STATUS	PACKAGING	PLATING TYP	P4	P3	P2	P1	DIM A	NUMBER OF POWER MODULE	PART NUMBER
OBSOLETE			6.90	5.70	6.90	5.70	26.40	2X	7-2180850-0
OBSOLETE			6.90	5.70	5.70	6.90	26.40	2X	6-2180850-9
OBSOLETE			6.90	5.70	5.70	5.70	26.40	2X	6-2180850-8
OBSOLETE			6.90	5.70	6.90	6.90	26.40	2X	6-2180850-7
OBSOLETE			5.70	6.90	6.90	5.70	26.40	2X	6-2180850-6
OBSOLETE			5.70	6.90	5.70	6.90	26.40	2X	6-2180850-5
OBSOLETE			5.70	6.90	5.70	5.70	26.40	2X	6-2180850-4
OBSOLETE			5.70	6.90	6.90	6.90	26.40	2X	6-2180850-3
OBSOLETE			5.70	5.70	6.90	5.70	26.40	2X	6-2180850-2
OBSOLETE	TRAY	TIN-LEAD	5.70	5.70	5.70	6.90	26.40	2X	6-2180850-1
OBSOLETE			5.70	5.70	5.70	5.70	26.40	2X	6-2180850-0
OBSOLETE			5.70	5.70	6.90	6.90	26.40	2X	5-2180850-9
OBSOLETE			6.90	6.90	6.90	5.70	26.40	2X	5-2180850-8
OBSOLETE			6.90	6.90	5.70	6.90	26.40	2X	5-2180850-7
OBSOLETE			6.90	6.90	5.70	5.70	26.40	2X	5-2180850-6
OBSOLETE			6.90	6.90	6.90	6.90	26.40	2X	5-2180850-5
OBSOLETE			N/A	N/A	6.90	5.70	15.00	1X	5-2180850-4
OBSOLETE			N/A	N/A	5.70	6.90	15.00	1X	5-2180850-3
OBSOLETE			N/A	N/A	5.70	5.70	15.00	1X	5-2180850-2
OBSOLETE			N/A	N/A	6.90	6.90	15.00	1X	5-2180850-1
ACTIVE			6.90	5.70	6.90	5.70	26.40	2X	2-2180850-0
ACTIVE			6.90	5.70	5.70	6.90	26.40	2X	1-2180850-9
ACTIVE			6.90	5.70	5.70	5.70	26.40	2X	1-2180850-8
ACTIVE			6.90	5.70	6.90	6.90	26.40	2X	1-2180850-7
ACTIVE			5.70	6.90	6.90	5.70	26.40	2X	1-2180850-6
ACTIVE			5.70	6.90	5.70	6.90	26.40	2X	1-2180850-5
ACTIVE			5.70	6.90	5.70	5.70	26.40	2X	1-2180850-4
ACTIVE			5.70	6.90	6.90	6.90	26.40	2X	1-2180850-3
ACTIVE	TRAY	TIN	5.70	5.70	6.90	5.70	26.40	2X	1-2180850-2
ACTIVE			5.70	5.70	5.70	5.70	26.40	2X	1-2180850-1
ACTIVE			5.70	5.70	6.90	6.90	26.40	2X	2180850-9
ACTIVE			6.90	6.90	6.90	5.70	26.40	2X	2180850-8
ACTIVE			6.90	6.90	5.70	6.90	26.40	2X	2180850-7
ACTIVE			6.90	6.90	5.70	5.70	26.40	2X	2180850-6
ACTIVE			6.90	6.90	6.90	6.90	26.40	2X	2180850-5
ACTIVE			N/A	N/A	6.90	5.70	15.00	1X	2180850-4
ACTIVE			N/A	N/A	5.70	6.90	15.00	1X	2180850-3
ACTIVE			N/A	N/A	5.70	5.70	15.00	1X	2180850-2
ACTIVE			N/A	N/A	6.90	6.90	15.00	1X	2180850-1

THIS DRAWING IS A CONTROLLED DOCUMENT. DWN: LERRY WANG 13FEB2012
 CHK: SUNY ZHAO 13FEB2012
 APVD: SUNY ZHAO 13FEB2012

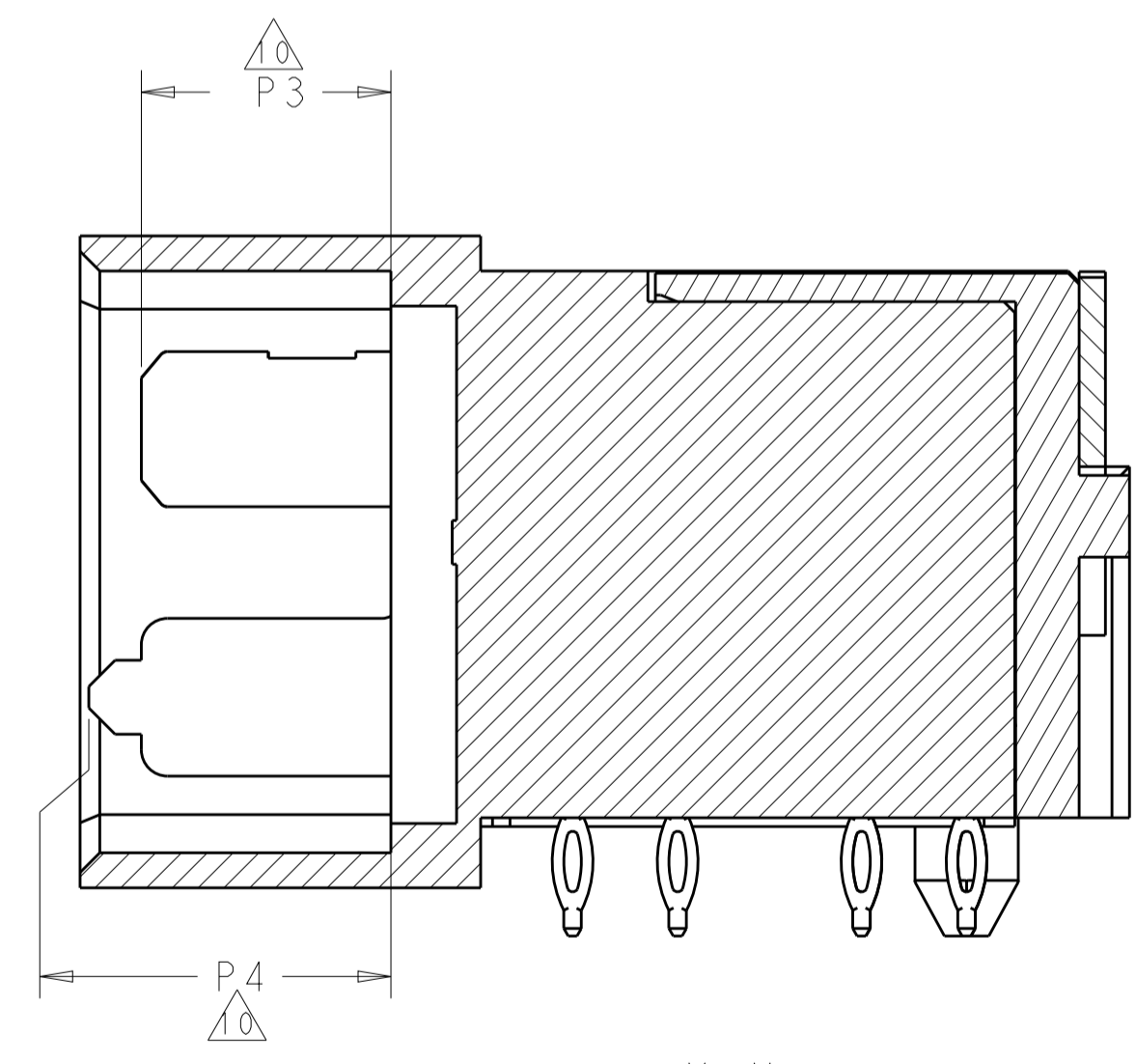
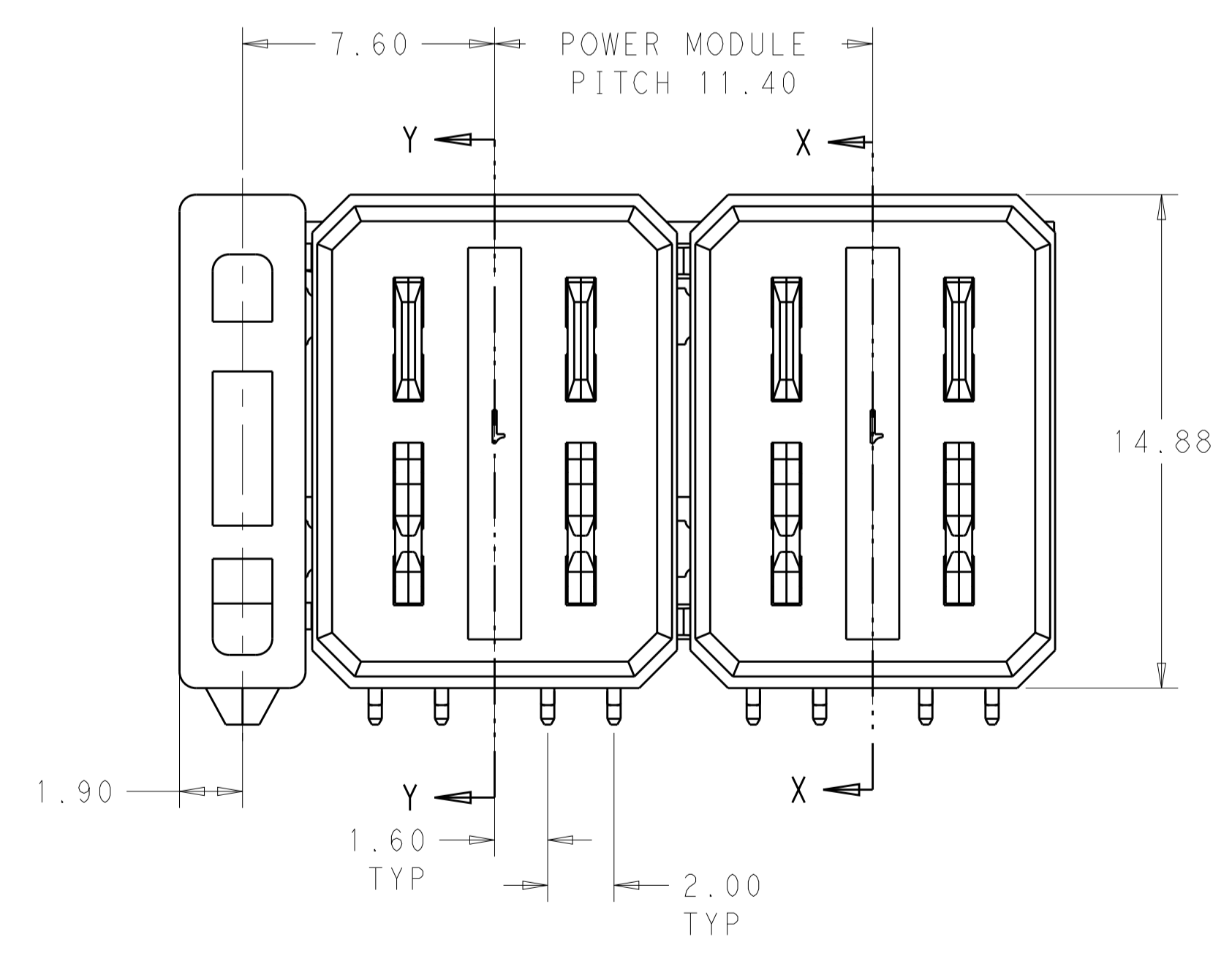
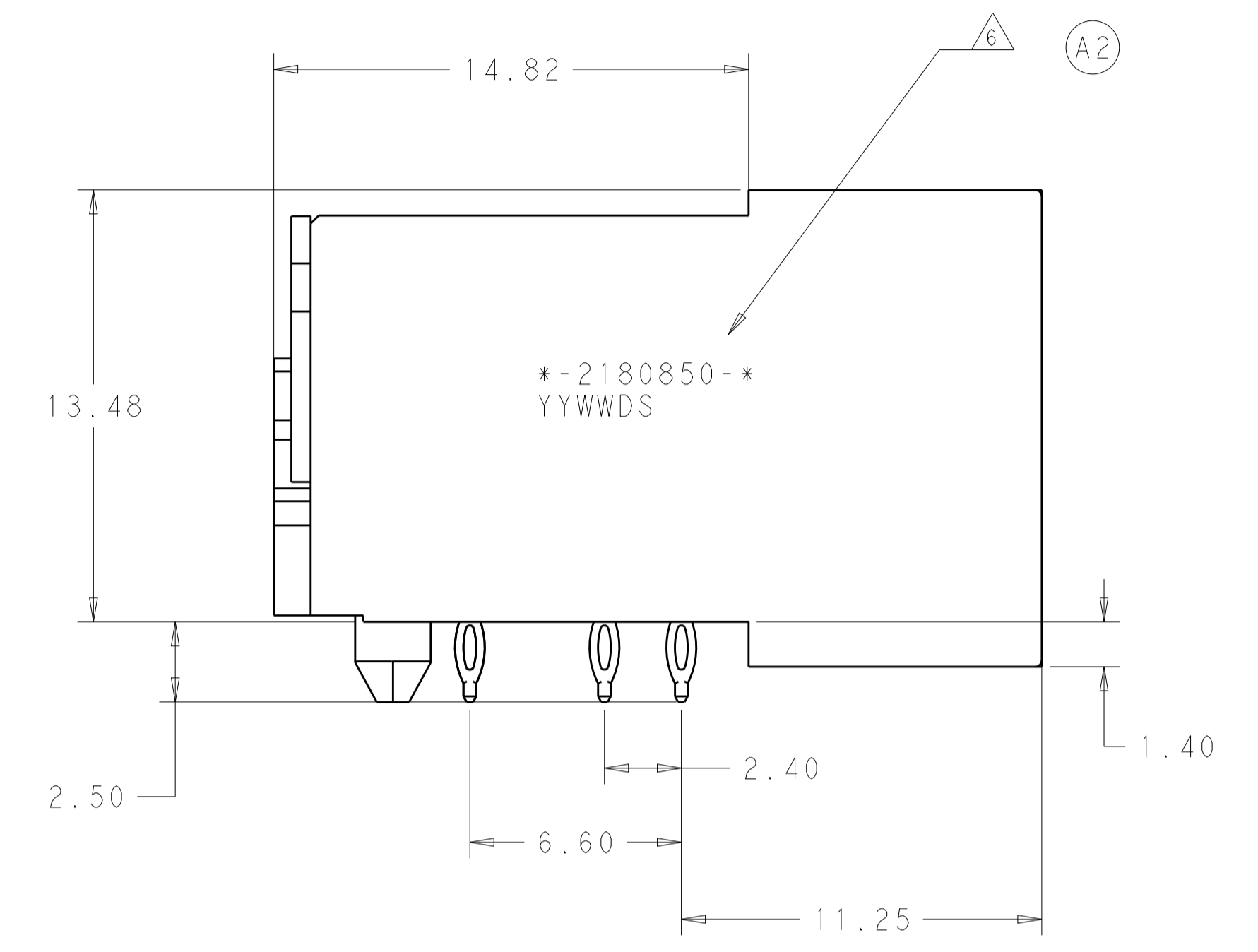
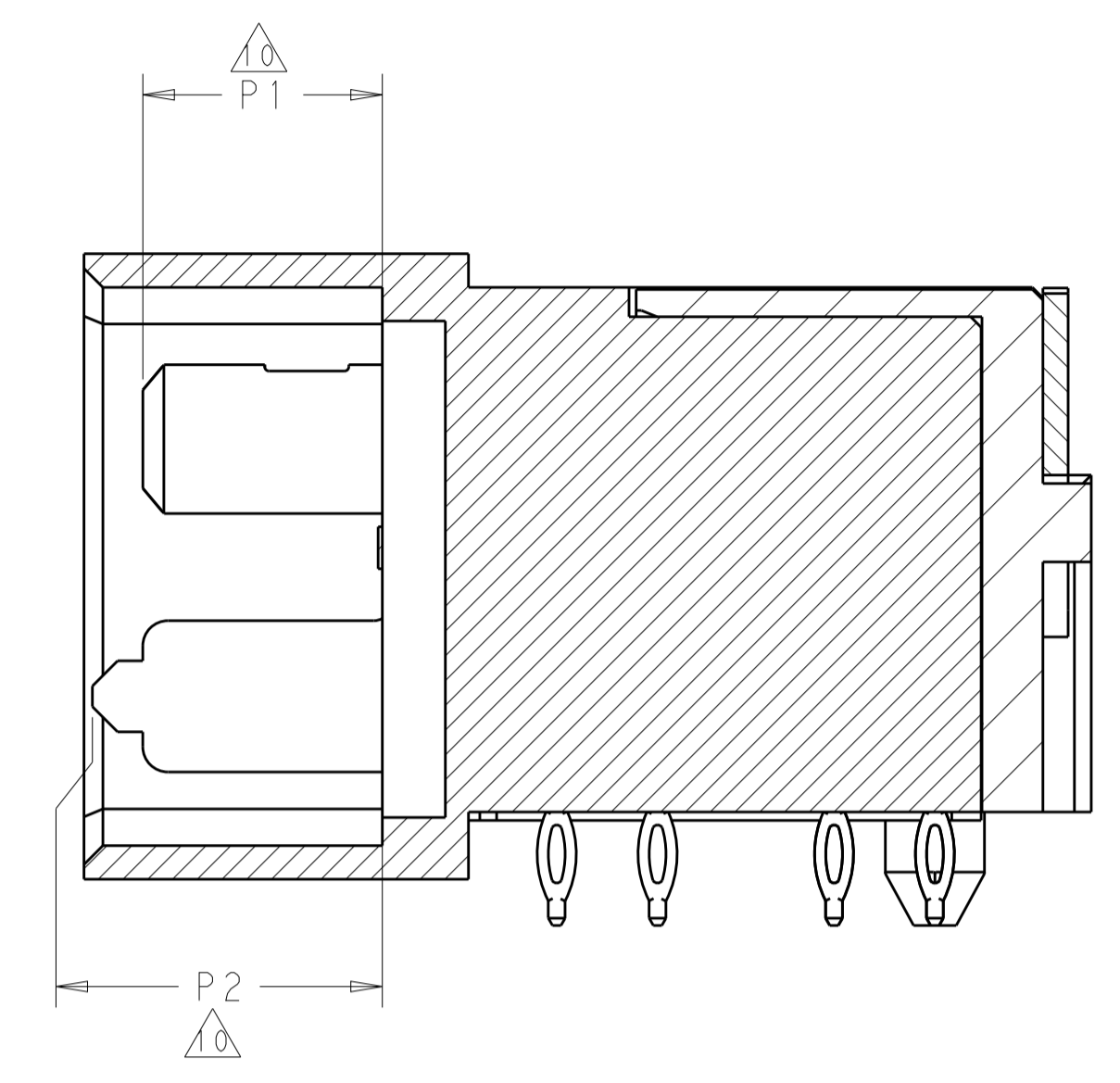
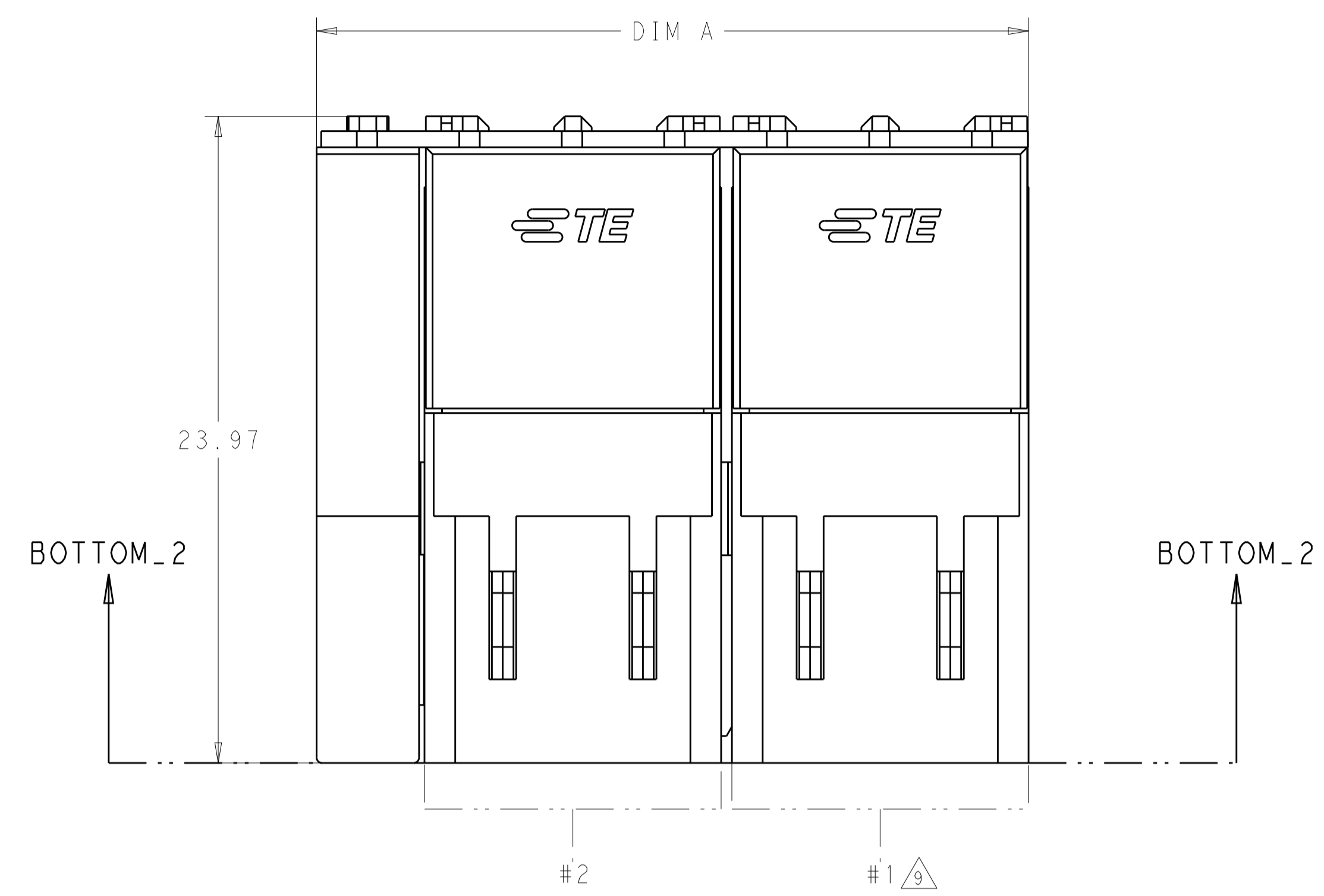
TE Connectivity

IMPACT POWER 3 PAIR
 R/A HEADER W/HOLD DOWN LEFT
 PRESS FIT

SIZE: A1 CAGE CODE: 114-32028 DRAWING NO: 2180850
 WEIGHT: -
 CUSTOMER DRAWING

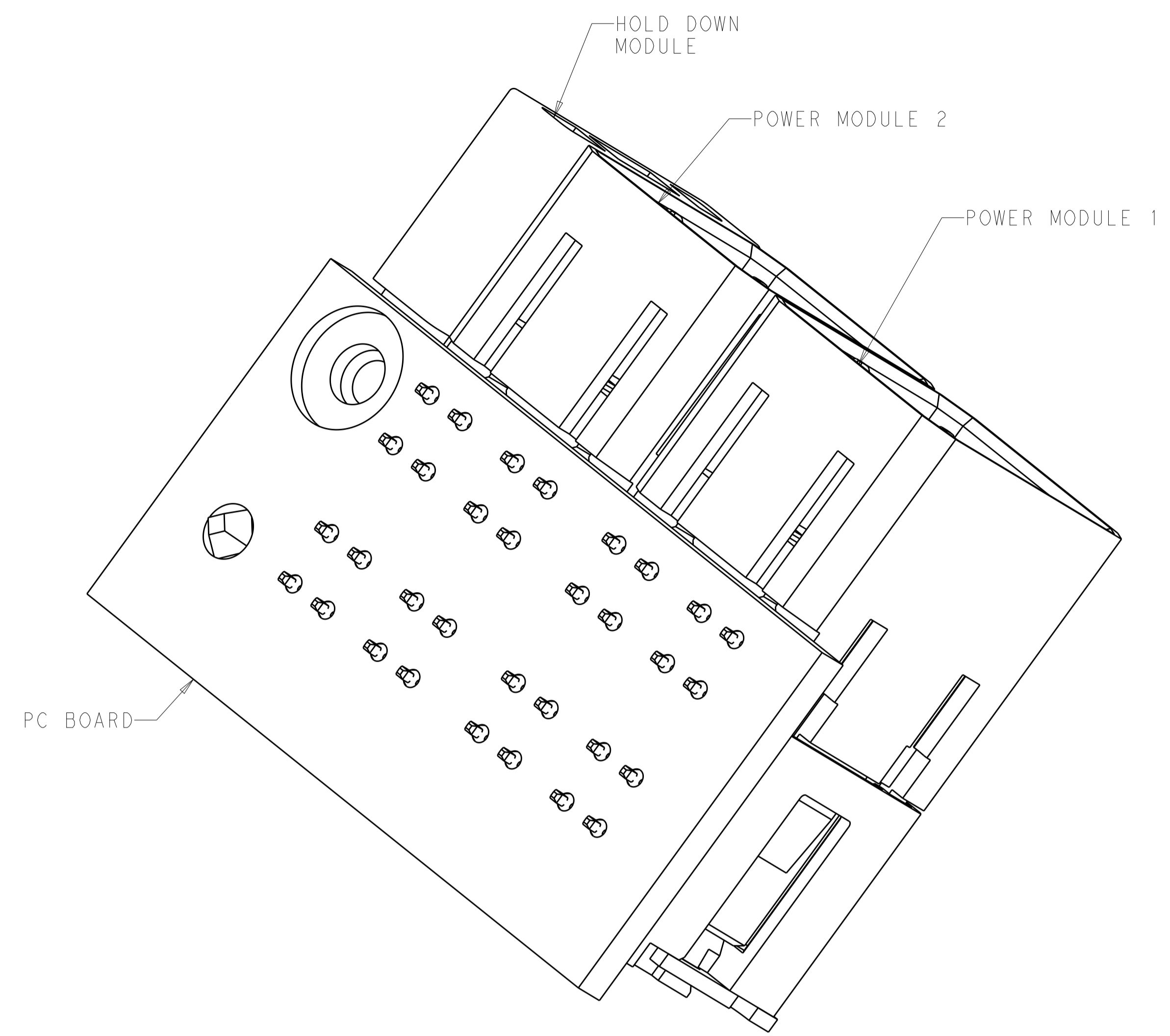
SCALE: 6:1 SHEET 1 OF 4 REV B

LOC	DIST	REVISIONS					
GP	00	P	LTN	DESCRIPTION	DATE	DMN	APVD
-	-	-	-	SEE SHEET 1	-	-	-

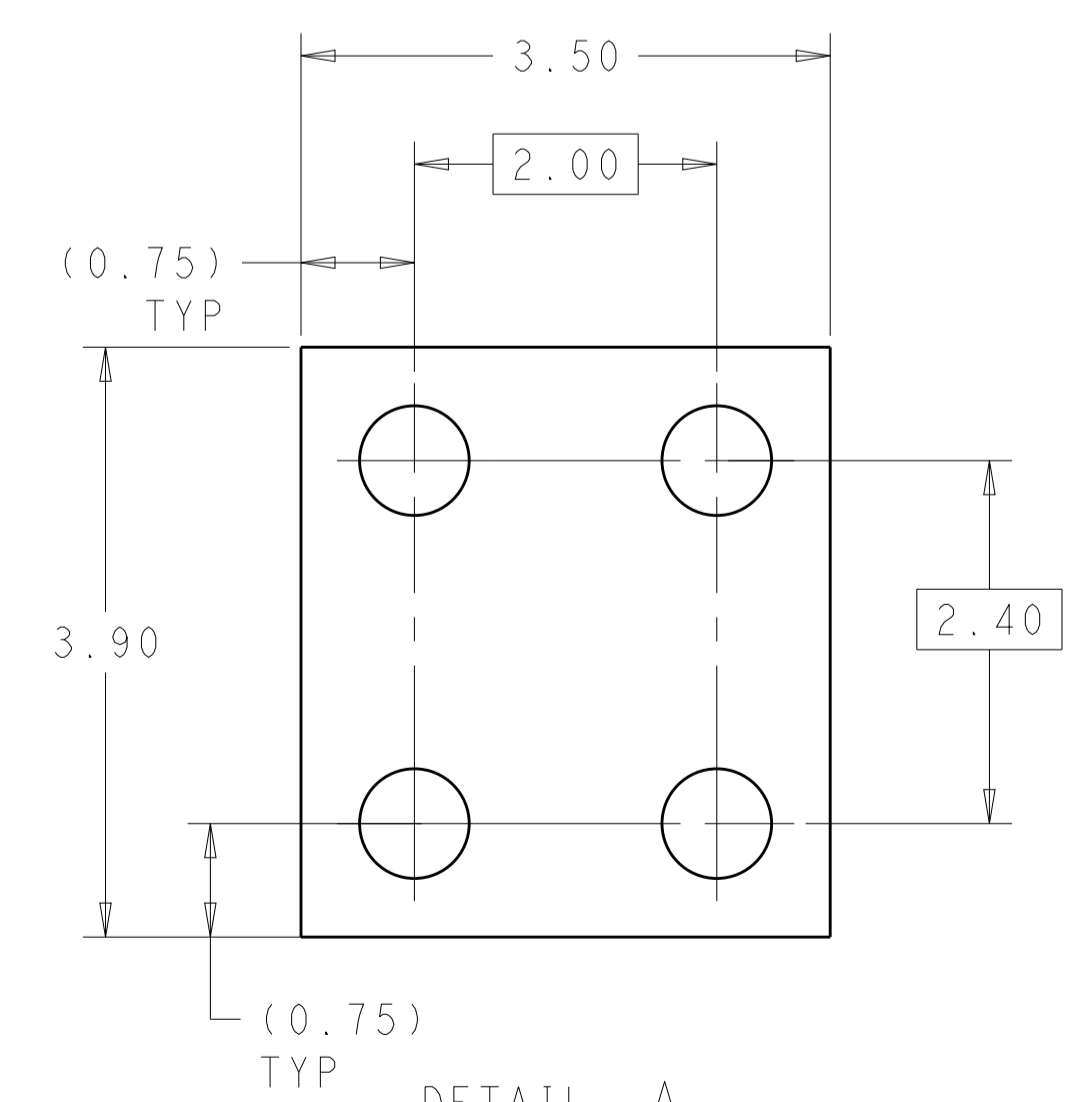


THIS DRAWING IS A CONTROLLED DOCUMENT.		OWN: LERRY WANG 13FEB2012	TE Connectivity
DIMENSIONS: mm		CHK: SUNY ZHAO 13FEB2012	
TOLERANCES UNLESS OTHERWISE SPECIFIED:		APVD: SUNY ZHAO 13FEB2012	NAME: IMPACT POWER 3 PAIR R/A HEADER W/HOLD DOWN LEFT PRESS FIT
0 PLC	±0.15	PRODUCT SPEC	SIZE: A100779C=2180850
1 PLC	±0.25	APPLICATION SPEC	RESTRICTED TO
2 PLC	±0.30	WEIGHT	SCALE: 6:1
3 PLC	±0.40	CUSTOMER DRAWING	SHEET 2 OF 4
4 PLC	±0.50		REV B
ANGLES	±0.5°		
FINISH			

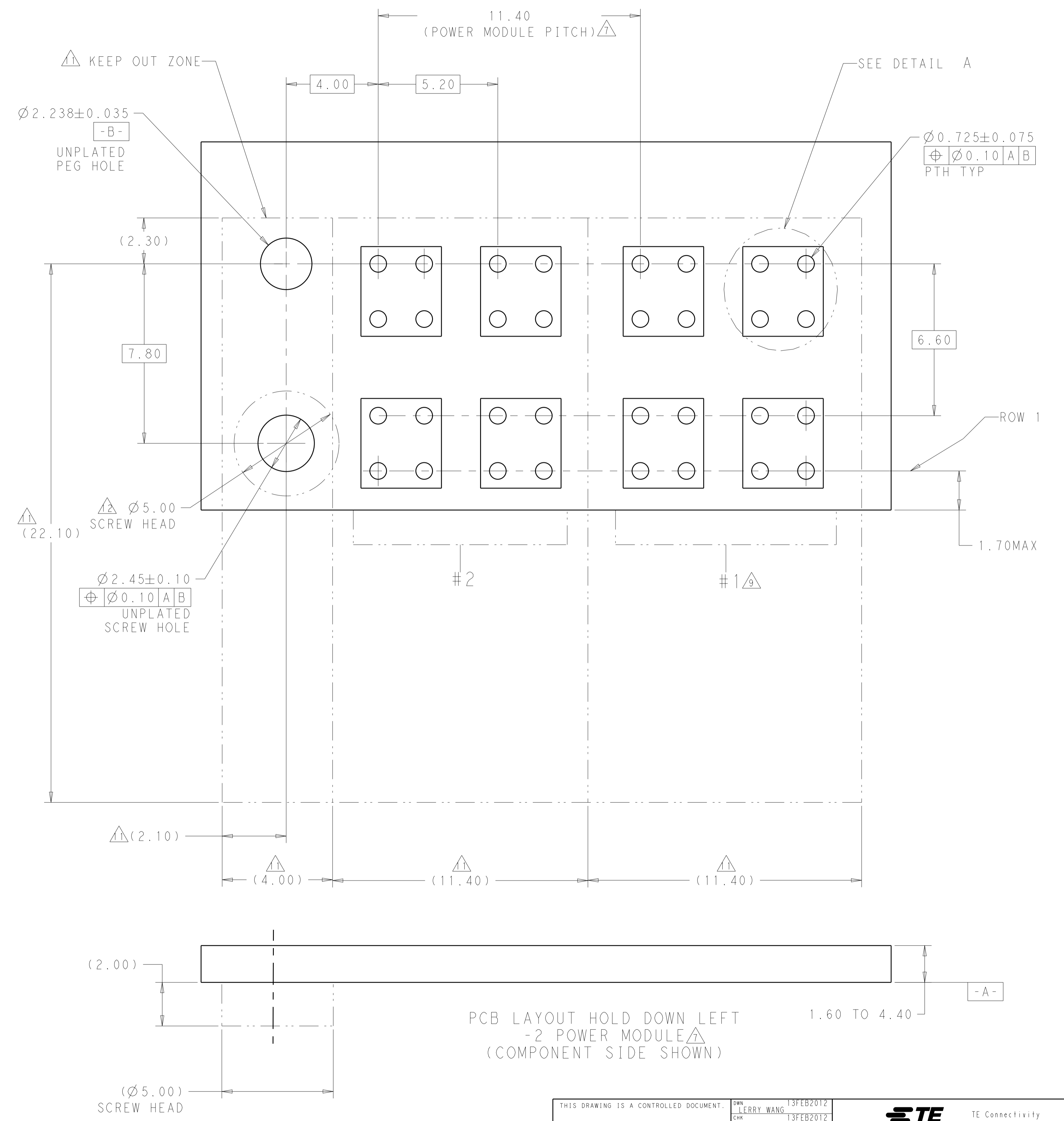
LOC		DIST		REVISONS			
GP	00	P	LTN	DESCRIPTION	DATE	OWN	APVD
				SEE SHEET 1			



CONNECTOR WITH PCB BOARD



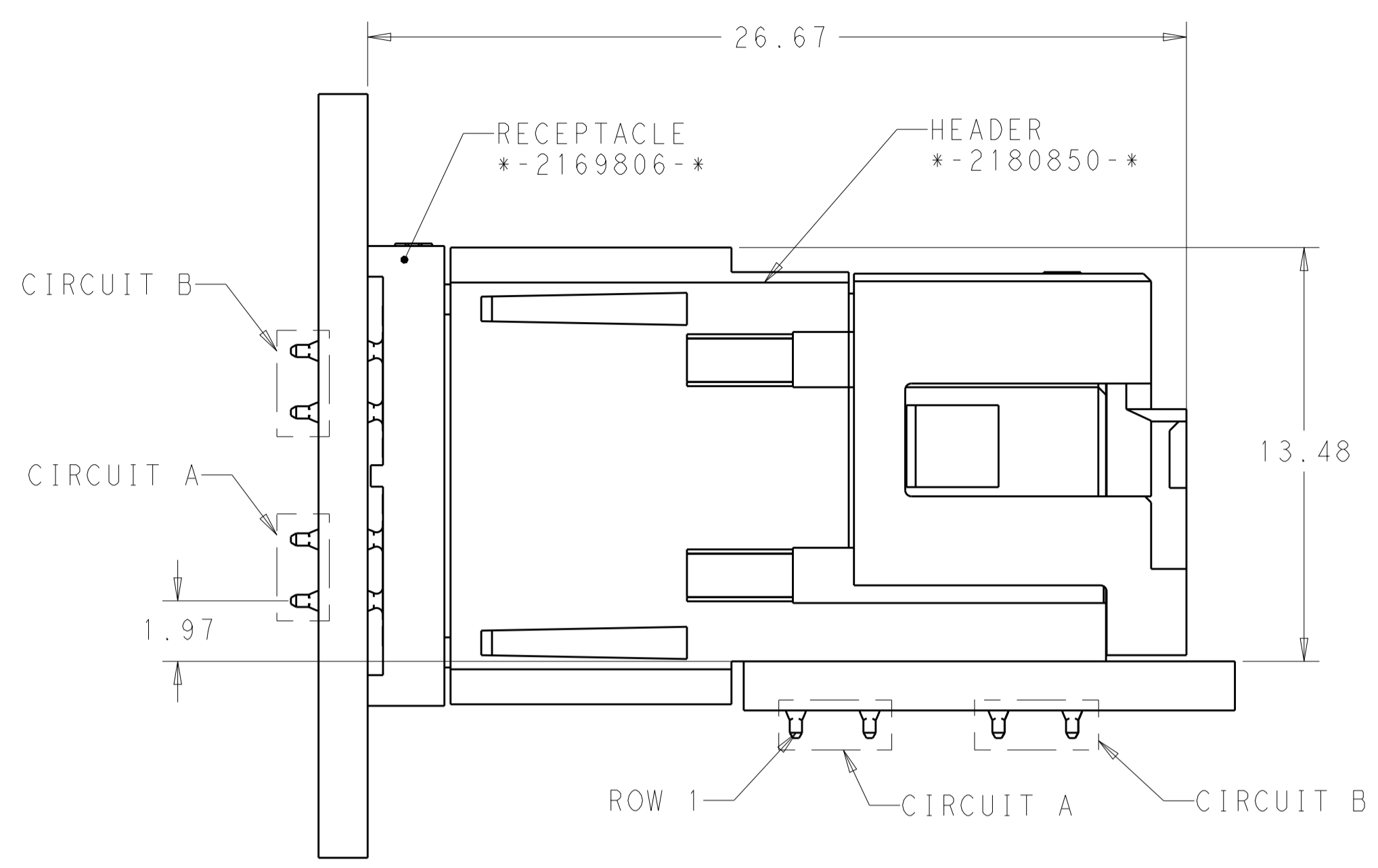
DETAIL A
 SCALE 20:1
 COPPER PAD REFERENCE



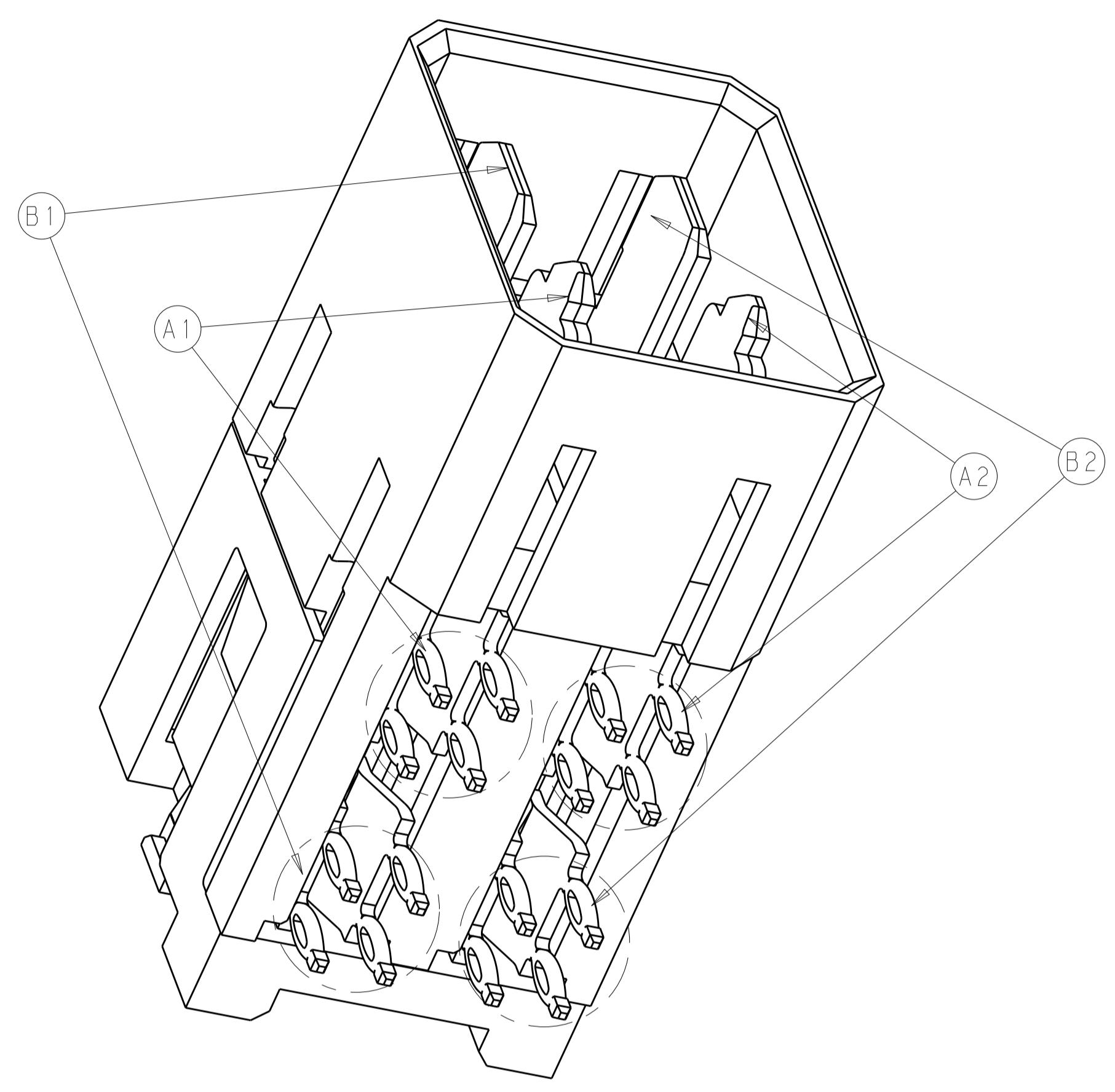
PCB LAYOUT HOLD DOWN LEFT
 - 2 POWER MODULE
 (COMPONENT SIDE SHOWN)

THIS DRAWING IS A CONTROLLED DOCUMENT.		OWN LERRY WANG 13FEB2012	TE Connectivity
DIMENSIONS: mm		CHK SUNY ZHAO 13FEB2012	
TOLERANCES UNLESS OTHERWISE SPECIFIED:		APVD SUNY ZHAO 13FEB2012	NAME
0 PLC	±0.25	PRODUCT SPEC	IMPACT POWER 3 PAIR
1 PLC	±0.25	APPLICATION SPEC	R/A HEADER W/HOLD DOWN LEFT
2 PLC	±0.25	SIZE	PRESS FIT
3 PLC	±0.25	114-32028	RESTRICTED TO
4 PLC	±0.25	WEIGHT	A100779C=2180850
ANGLES	±0.5°	CUSTOMER DRAWING	SCALE 6:1 SHEET 3 OF 4 REV B

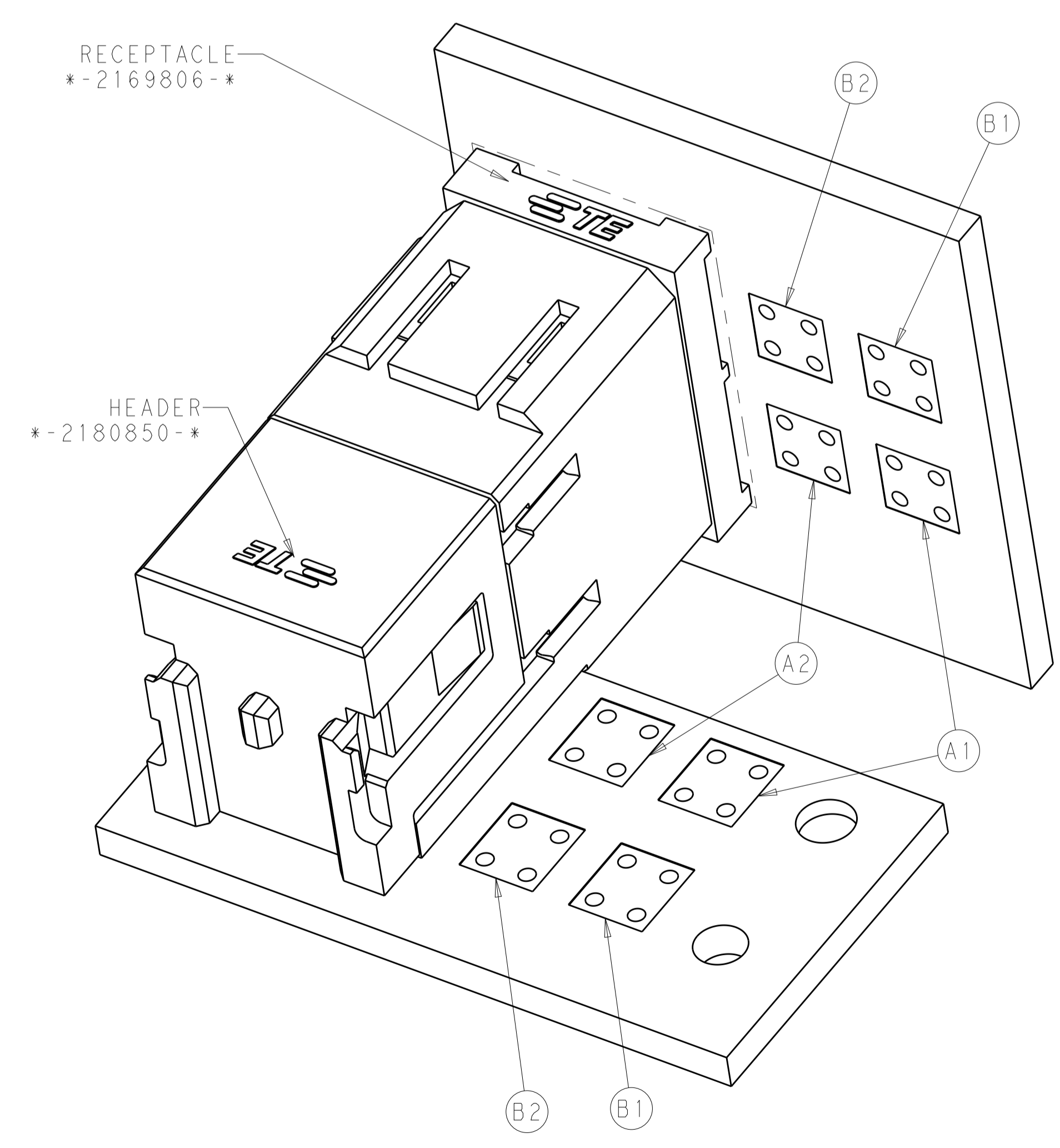
LOC		DIST		REVISIONS			
P	LTN	DESCRIPTION	DATE	DMN	APVD		
-	-	SEE SHEET 1	-	-	-		



MATED SYSTEM OF *-2180850-* & *-2169806-*



PIN NUMBER ASSIGNMENT BASE ON HEADER SIDE:
 A1,B1 ON THE LEFT.
 A2,B2 ON THE RIGHT.



1 POWER MODULE AND LEFT HOLD DOWN REMOVED TO ILLUSTRATE CIRCUIT PATH OF MATED SYSTEM

THIS DRAWING IS A CONTROLLED DOCUMENT.		DMN DAVID SHEN 14FEB2017	TE Connectivity
DIMENSIONS:		CHK STEVEN YIN 14FEB2017	
mm	TOLERANCES UNLESS OTHERWISE SPECIFIED:	APVD STEVEN YIN 14FEB2017	NAME
0 PLC ±.1	1 PLC ±.15	PRODUCT SPEC	IMPACT POWER 3 PAIR
2 PLC ±.25	3 PLC ±.3	APPLICATION SPEC	R/A HEADER W/HOLD DOWN LEFT
4 PLC ±.4	ANGLES ±.5°	SIZE CAGE CODE DRAWING NO	PRESS FIT
MATERIAL	FINISH	WEIGHT	A100779C=2180850
		CUSTOMER DRAWING	SCALE 6:1 SHEET 4 OF 4 REV B