

A
board drillings

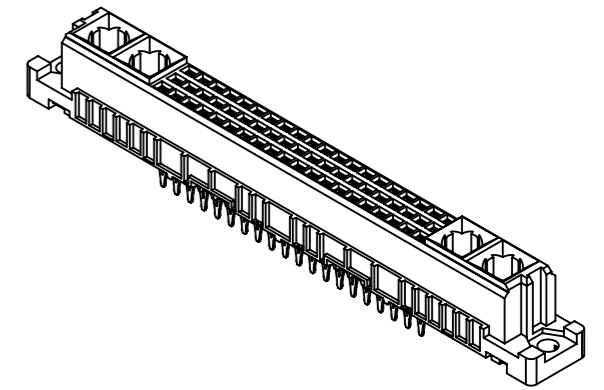
A
contact arrangement

60 press-in contacts

⊗ = press-in contact

□ = position without contact

B (2:1)



2 hole diameter is to be co-ordinated with the respective contact

1 recommended configuration of plated holes and further information see: DS 09032100001

09 03 260 6830	2
part no.	performance level 1

	All Dimensions in mm Original Size DIN A3		Scale 1:1	Free size tol. IEC 60603-2	Ref.	
	All rights reserved Department EL PD		Created by ZWAHR	Inspected by LEHNERT	Standardisation HOFFMANN	Date 2017-01-20
HARTING Electronics GmbH D-32339 Espelkamp			Title DIN Signal type M60-flat female press-in 4.5 60-pole		Doc-Key / ECM-Nr. 100072218/UGD/057/D 500000114095	
			Type TB	Number 0903260X830	Rev. D	Page 1/1