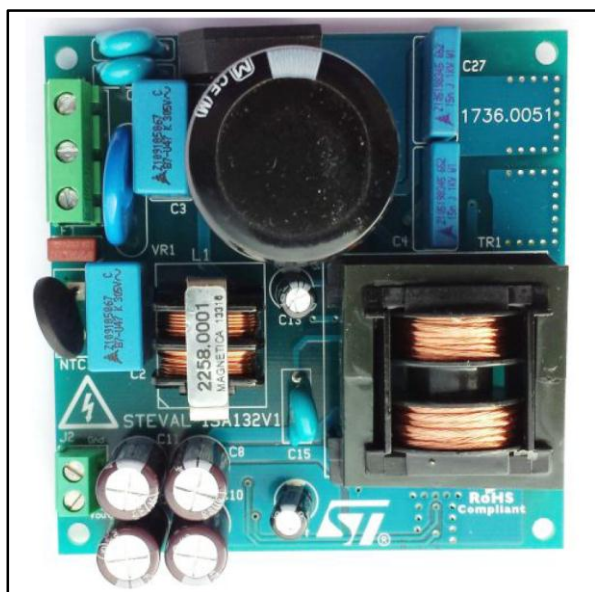


300 W peak power (170 W continuous power) LLC resonant converter based on L6699, STB13N60M2 and STPS20H100CG

Data brief



- Continuous power at 30 °C ambient temperature: 170 W
- The power MOSFETs and diodes are both in D²PAK packages
- RoHS compliant

Description

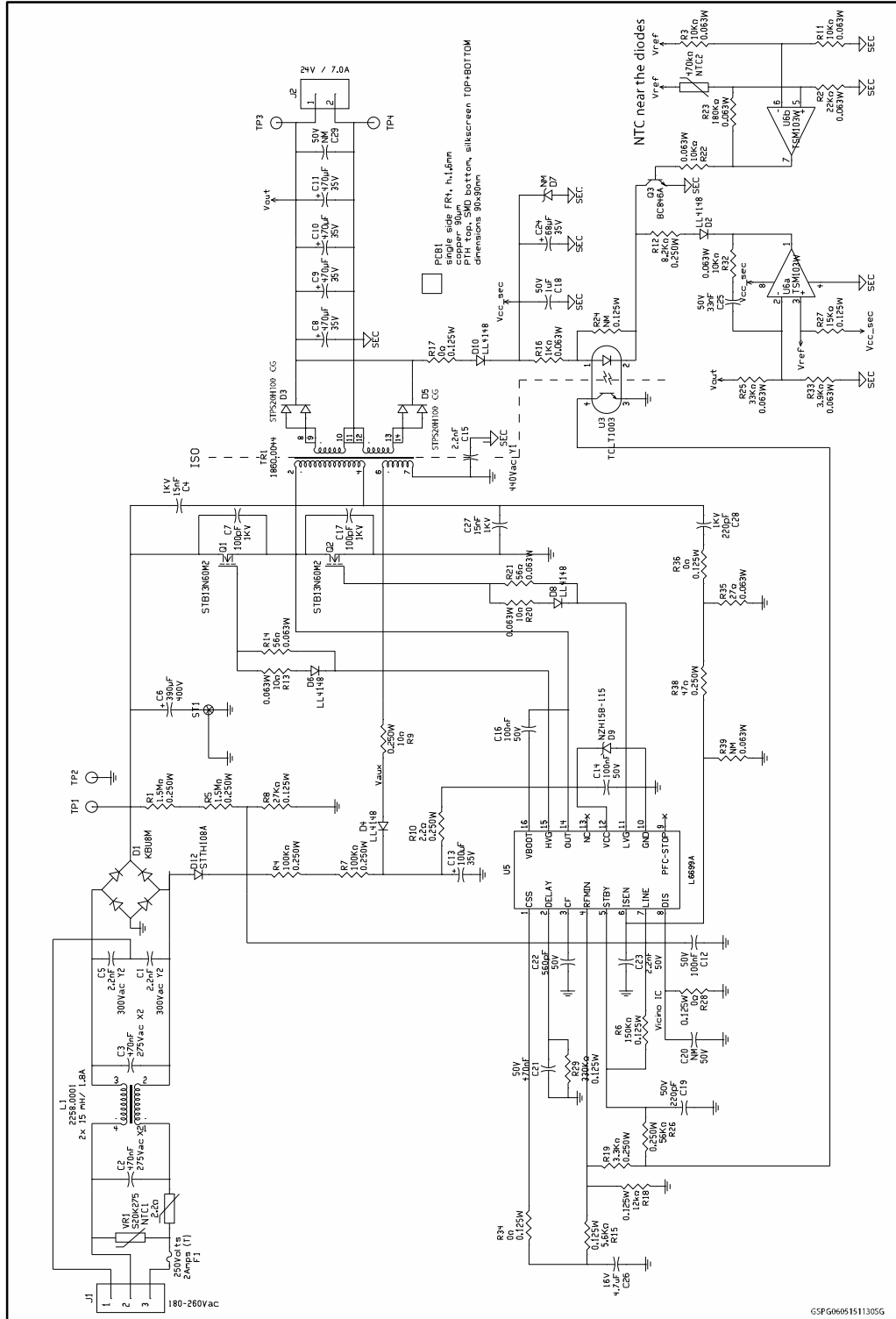
The STEVAL-ISA132V1 evaluation board implements a converter capable of delivering 170 W of continuous power ($V_{IN} = 190 \text{ VAC}$ to 264 VAC, $V_{OUT} = 24 \text{ V}$) and more than 300 W peak power for a limited time. The architecture of the board is based on a single-stage LLC resonant converter without PFC using the new L6699 resonant controller. The L6699 integrates some very innovative functions such as self-adjusting adaptive dead-time, anti-capacitive mode protection and proprietary “safe-start” procedure preventing hard switching at startup. High efficiency at full load (> 92%) and no load (< 0.6 W) is obtained thanks to the STB13N60M2 (600 V, 0.35 W typ., 11 A) MDmesh M2 power MOSFET in the half-bridge, and the STPS20H100CG ($V_{RRM} = 100 \text{ V}$, $I_F(AV) = 2 \times 10 \text{ A}$) Schottky diode for secondary rectification.

Features

- Input mains range: 190 to 264 VAC - frequency 50 Hz
- Output voltage: 24 V 5%
- No-load consumption: < 0.6 W
- Efficiency @ 230 VAC > 92%
- EMI: within EN55022 Class-B limits conducted pre-compliance
- Safety: meets EN60950-1
- Dimensions: 90 x 90 mm, 50 mm component maximum height
- Safe startup procedure to avoid hard switching
- Hard switching prevention in overload condition and low load condition
- Burst mode in low load condition with smooth restart to prevent audible noise
- Evaluation board can deliver more than 300 W peak power for a limited time by a thermal protection NTC positioned near output diodes

1 Schematic diagram

Figure 1: STEVAL-ISA132V1 circuit schematic



2 Revision history

Table 1: Document revision history

Date	Version	Changes
19-Aug-2014	1	Initial release.
29-May-2015	2	Updated: Figure 1 STEVAL-ISA132V1 circuit schematic.

IMPORTANT NOTICE – PLEASE READ CAREFULLY

STMicroelectronics NV and its subsidiaries ("ST") reserve the right to make changes, corrections, enhancements, modifications, and improvements to ST products and/or to this document at any time without notice. Purchasers should obtain the latest relevant information on ST products before placing orders. ST products are sold pursuant to ST's terms and conditions of sale in place at the time of order acknowledgement.

Purchasers are solely responsible for the choice, selection, and use of ST products and ST assumes no liability for application assistance or the design of Purchasers' products.

No license, express or implied, to any intellectual property right is granted by ST herein.

Resale of ST products with provisions different from the information set forth herein shall void any warranty granted by ST for such product.

ST and the ST logo are trademarks of ST. All other product or service names are the property of their respective owners.

Information in this document supersedes and replaces information previously supplied in any prior versions of this document.

© 2015 STMicroelectronics – All rights reserved