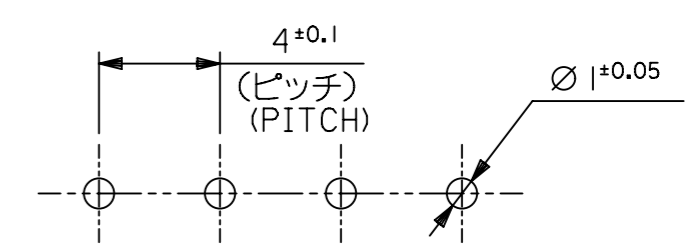


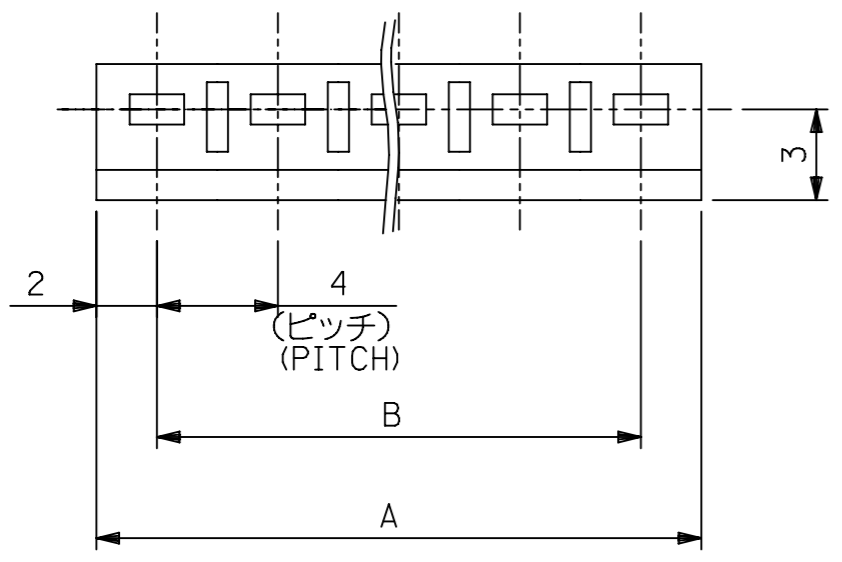
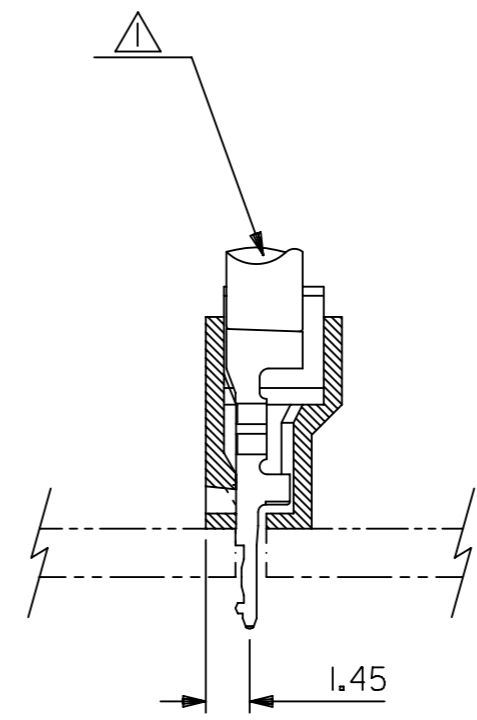
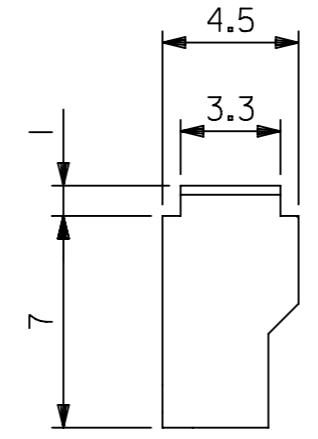
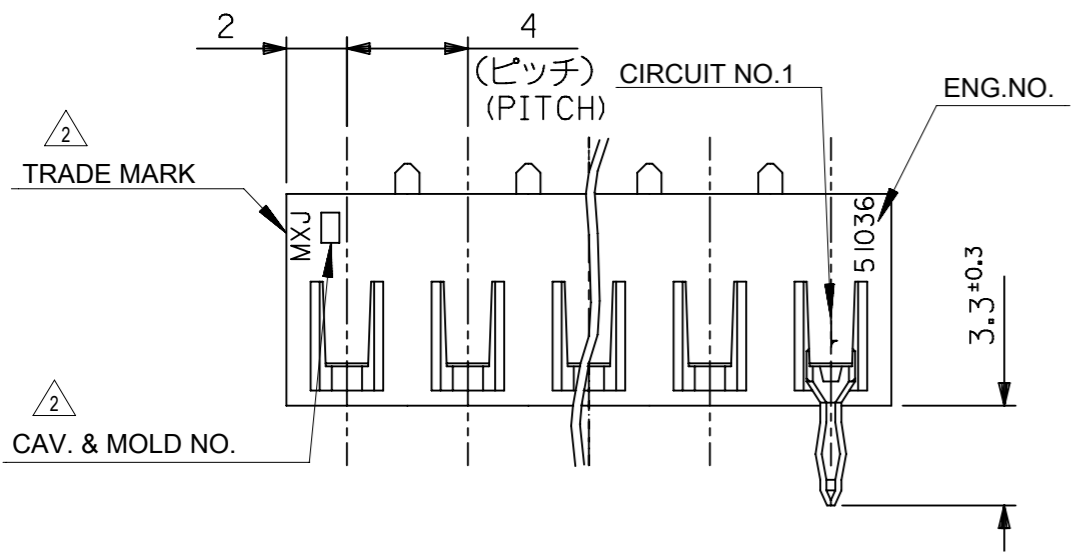
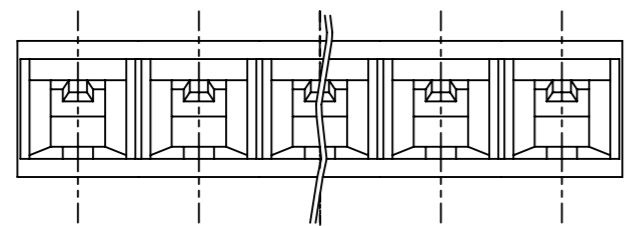
注記
NOTE

- ① 適合ターミナル : 500978*00
APPLICABLE : 500978*00
- ② トレ - ドマーク : MXJにて表示。
キャビティー番号 : 1桁から2桁の数字にて表示。 金型番号 : アルファベット1文字にて表示。
TRADE MARK IS FORMED BY MXJ.
AND BY 1-2 DIGIT NUMBER (TO CAVITY NO.)
AND BY 1 LETTER OD ALPHABET (TO MOLD NO.)
- ③ ELV及びRoHS適合品
ELV AND RoHS COMPLIANT.

(公差非累積)
(NON-ACCUMULATIVE)



基板取付穴推奨寸法(基板厚: 1.6mm)
RECOMMENDED PC BOARD
HOLE DIMENSION
(THICKNESS: 1.6mm)



28	32	510360800	8
24	28	↑ 0700	7
20	24	0600	6
16	20	0500	5
12	16	0400	4
8	12	↓ 0300	3
4	8	510360200	2
B	A	ENG.NO.	極数 CKT.

THIS DRAWING CONTAINS INFORMATION THAT IS PROPRIETARY TO MOLEX ELECTRONIC TECHNOLOGIES, LLC AND SHOULD NOT BE USED WITHOUT WRITTEN PERMISSION

DIMENSION UNITS	SCALE	CURRENT REV DESC: REMOVED OBSOLETE PART NUMBER AS PER PCN#509989.	
mm	4:1		
GENERAL TOLERANCES (UNLESS SPECIFIED)			
4 PLACES	±	MM	INCH
3 PLACES	±		
2 PLACES	±		
1 PLACE	±		
0 PLACES	±		
ANGULAR TOL	± °		
DRAFT WHERE APPLICABLE MUST REMAIN WITHIN DIMENSIONS		THIRD ANGLE PROJECTION	

EC NO: 708673	2022/05/13		
DRWN: SANTHN	2022/06/22		
CHK'D: GGA	2022/06/22		
APPR: GGA	2022/06/22	PRODUCT CUSTOMER DRAWING	
INITIAL REVISION:		DOCUMENT NUMBER	DOC TYPE
DRWN: KSAND	1996/06/30	SD-51036-001	PSD
APPR: MENOMOTO	1996/06/30	DOC PART	REVISION
		001	H2
MATERIAL NUMBER	CUSTOMER	SHEET NUMBER	
SEE TABLE	GENERAL MARKET	1 OF 1	

材料 MATERIAL POLYAMIDE,UL94V-0	GENERAL TOLERANCES (UNLESS SPECIFIED)	
適用電線範囲 WIRE RANGE AVS0.3~0.85	10 ^{UNDER}	±0.2
被覆外径 INS. RANGE Ø1.8~2.6	10 ^{OVER} 30 ^{UNDER}	±0.25
	30 ^{OVER}	±0.3
	ANGULAR	±3°