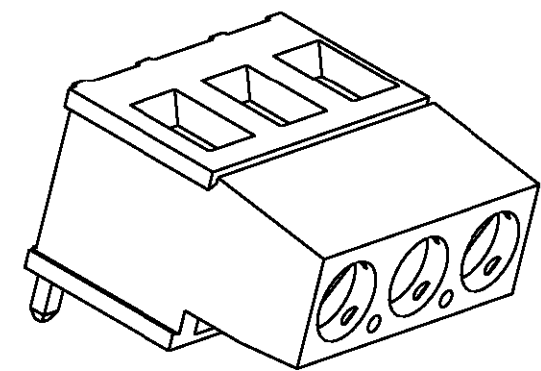
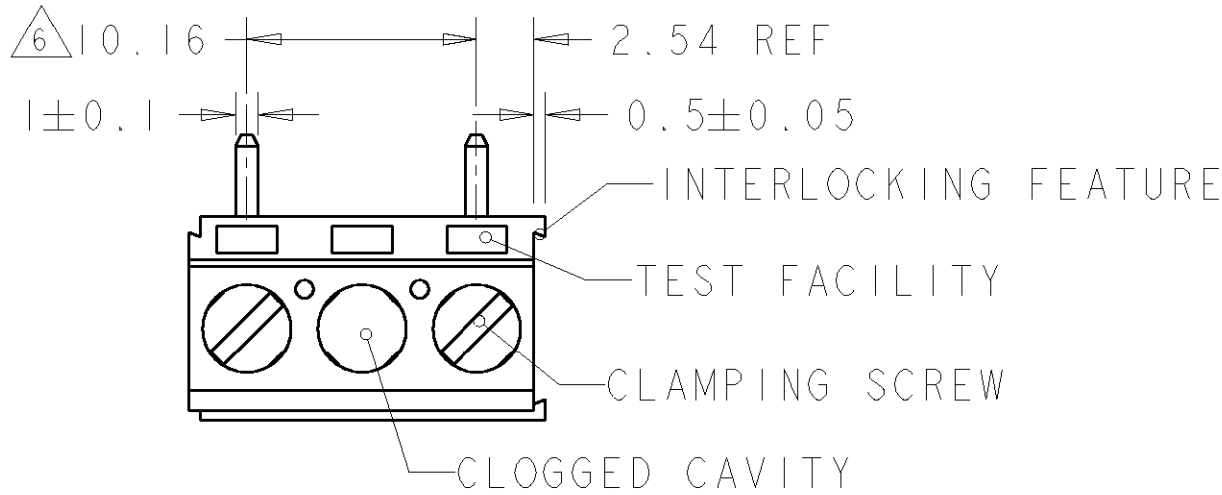


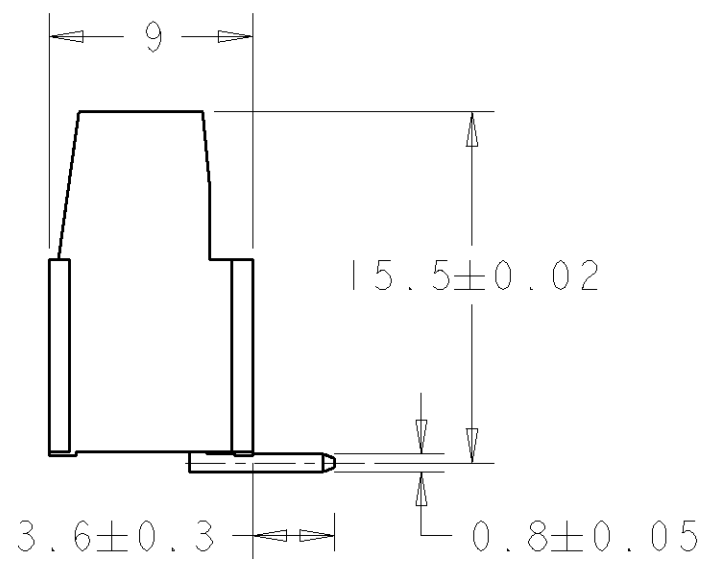
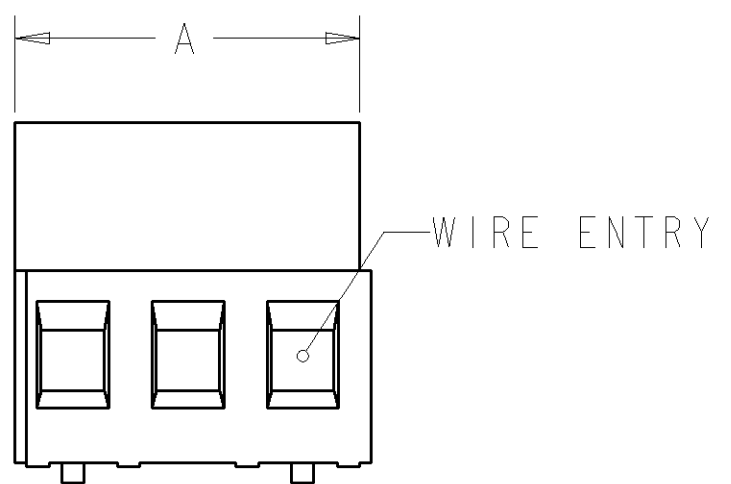
THIS DRAWING IS UNPUBLISHED. RELEASED FOR PUBLICATION 20
 © COPYRIGHT 20 BY TYCO ELECTRONICS CORPORATION. ALL RIGHTS RESERVED.

LOC	DIST	REVISIONS			
P	LTR	DESCRIPTION	DATE	DWN	APVD
FT	0				
		C	REVISED PER 0G3B-0119-01	20AUG2001	EZ DB



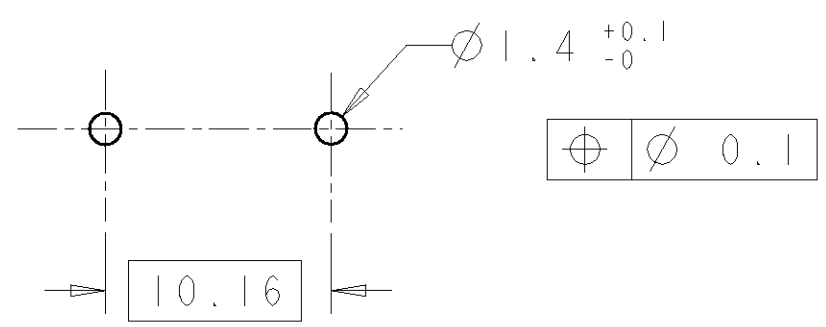
282853-2 AS SHOWN

- 1 MATERIALS AND FINISH
 HOUSING: PA 6-6, UL 94-V0, COLOR GREEN.
 CLAMP: BRASS, NICKEL PLATED.
 TERMINAL: BRASS, TIN PLATED.
 CLAMPING SCREW: M3, BRASS, NICKEL PLATED.
- 2 SUITABLE FOR 1,6-2,4mm PC BOARD THICKNESS.
- 3 WIRE SIZE RANGE
 SOLID WIRE: 0,03-2,5mm² (13AWG).
 STRANDED WIRE: 0,03-1,5mm² (15AWG).
- 4 RECOGNIZED UNDER THE COMPONENT PROGRAM OF
 UNDERWRITERS LABORATORIES INC. FILE N° E60677.
- 5 IMQ CERTIFICATE WITH SURVEILLANCE IN CONFORMITY
 WITH IEC 998-1/998-2-1.
- 6 NOT CUMULATIVE TOLERANCE.



127.00	13	1-282853-3
116.84	12	1-282853-2
106.68	11	1-282853-1
96.52	10	1-282853-0
86.36	9	282853-9
76.20	8	282853-8
66.04	7	282853-7
55.88	6	282853-6
45.72	5	282853-5
35.56	4	282853-4
25.40	3	282853-3
15.24	2	282853-2
DIM. A	N° OF POS.	PART NUMBER

RECOMMENDED PCB LAYOUT



THIS DRAWING IS A CONTROLLED DOCUMENT FOR TYCO ELECTRONICS CORPORATION. IT IS SUBJECT TO CHANGE AND THE CONTROLLING ENGINEERING ORGANIZATION SHOULD BE CONTACTED FOR THE LATEST REVISION.

DIMENSIONS:	TOLERANCES UNLESS OTHERWISE SPECIFIED:	DWN 20AUG2001	BUCHANAN Tyco Electronics Harrisburg, PA 17105-3608
mm		CHK 20AUG2001	
	0 PLC ±-	APVD 20AUG2001	
	1 PLC ±.3	D. BIEVENOUR	
	2 PLC ±.25	D. BIEVENOUR	NAME
	3 PLC ±-		TERMINAL BLOCK PCB MOUNT
	4 PLC ±-		TOP ENTRY WIRE
	ANGLES ± ±2		10.16mm PITCH
MATERIAL	FINISH	PRODUCT SPEC	SIZE
		108-20166	A3
		APPLICATION SPEC	CAGE CODE
		114-20079	00779
		WEIGHT	DRAWING NO
			C=282853
		CUSTOMER DRAWING	RESTRICTED TO
			-
		SCALE 3:1	SHEET 1 OF 1
			REV C