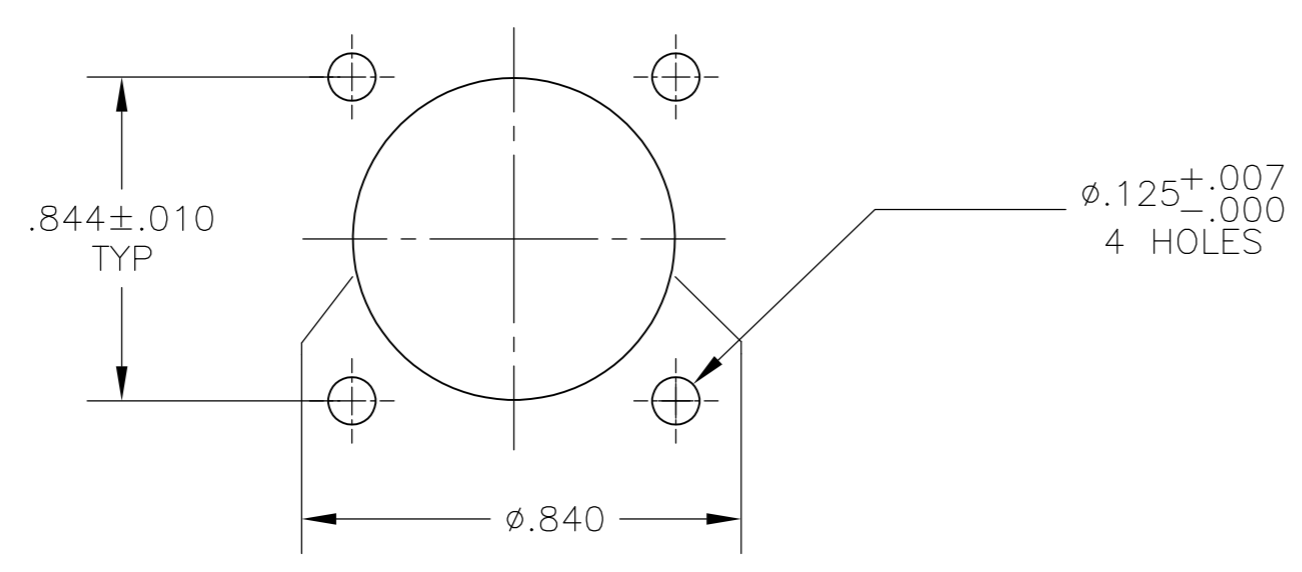
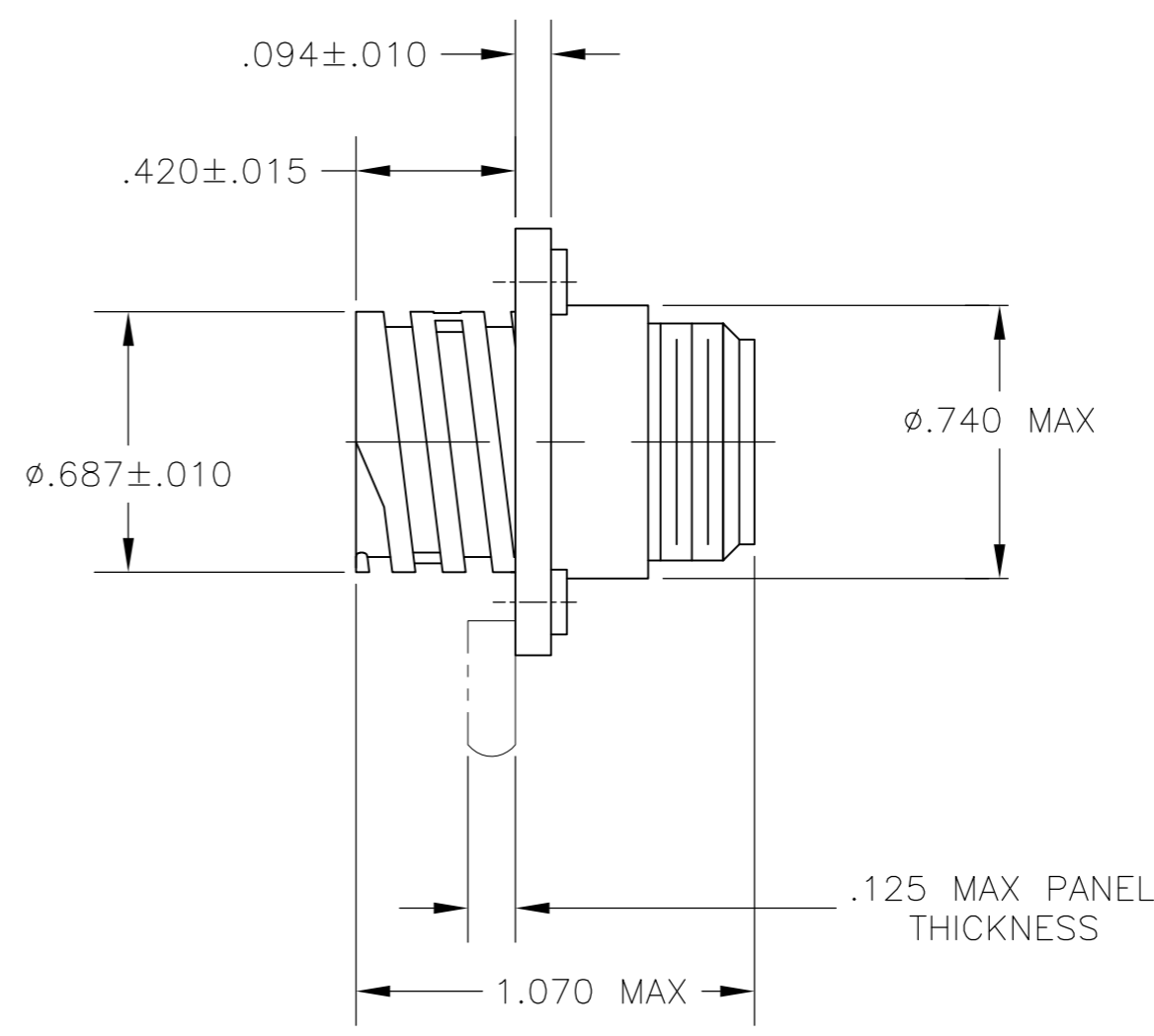
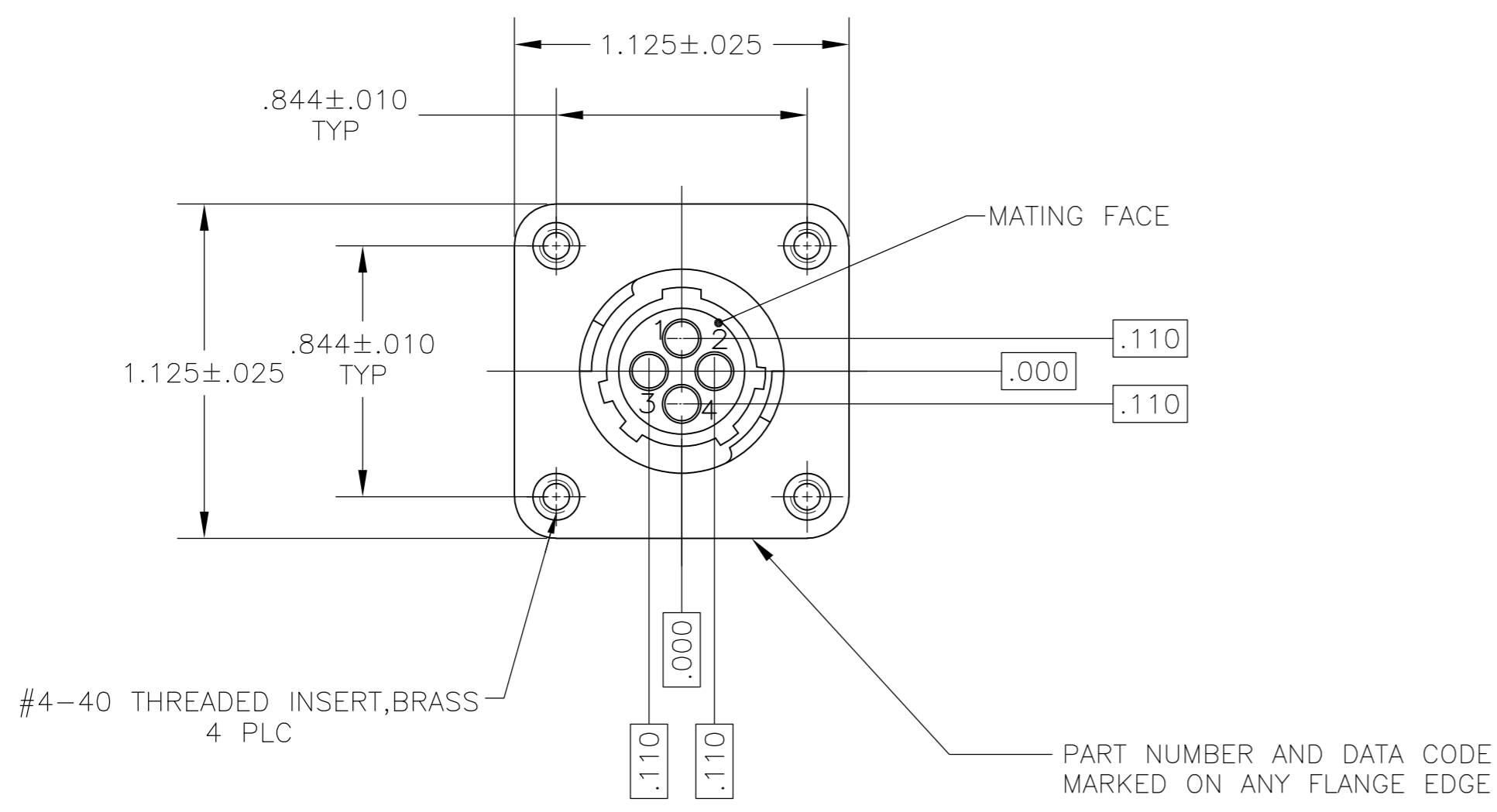


THIS DRAWING IS UNPUBLISHED. RELEASED FOR PUBLICATION
 © COPYRIGHT - By - ALL RIGHTS RESERVED.

Loc		DIST		REVISIONS			
P	LTR	DESCRIPTION		DATE	DWN	APVD	
BD	39	B		REVISED PER ECO-14-001570	12FEB2014	NK	MZ



PANEL CUTOUT
 SCALE 4:1

- 1 CONTACT CAVITIES IDENTIFIED BY CHARACTERS ON FRONT AND REAR FACES OF CONNECTOR.
- 2 CONNECTOR WILL ACCEPT FOUR (4) MULTIMATE SOCKET CONTACTS.

211102-1
 PART NUMBER

THIS DRAWING IS A CONTROLLED DOCUMENT.		DWN	S.RIDGLEY BG	8/1/90	TE TE Connectivity																				
DIMENSIONS: INCHES		CHK	R. STONE	5/2/91																					
TOLERANCES UNLESS OTHERWISE SPECIFIED:		APVD	K. BEAVER	5/2/91																					
<table border="1"> <tr><td>0 PLC</td><td>±</td><td>-</td></tr> <tr><td>1 PLC</td><td>±</td><td>-</td></tr> <tr><td>2 PLC</td><td>±</td><td>-</td></tr> <tr><td>3 PLC</td><td>±</td><td>.005</td></tr> <tr><td>4 PLC</td><td>±</td><td>-</td></tr> <tr><td>ANGLES</td><td>±</td><td>-</td></tr> <tr><td>FINISH</td><td>-</td><td>-</td></tr> </table>		0 PLC	±	-		1 PLC	±	-	2 PLC	±	-	3 PLC	±	.005	4 PLC	±	-	ANGLES	±	-	FINISH	-	-	PRODUCT SPEC	NAME
0 PLC	±	-																							
1 PLC	±	-																							
2 PLC	±	-																							
3 PLC	±	.005																							
4 PLC	±	-																							
ANGLES	±	-																							
FINISH	-	-																							
MATERIAL	THERMOPLASTIC, BLACK	APPLICATION SPEC	RECEPTACLE ASSY W/THREADED INSERTS, SHELL SIZE 11, REVERSE SEX, SERIES 1, CPC																						
WEIGHT		SIZE		CAGE CODE	DRAWING NO	RESTRICTED TO																			
CUSTOMER DRAWING		A2		00779	C=211102	-																			
SCALE		2:1		SHEET	1 of 1	REV																			
						B																			

211102