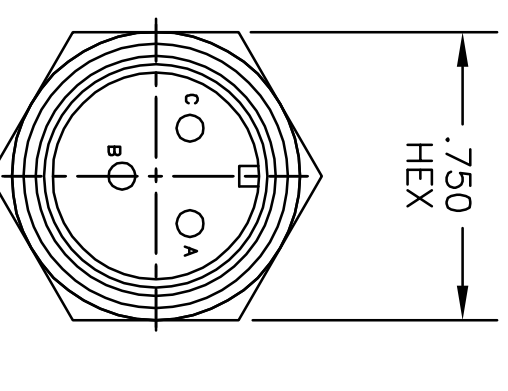
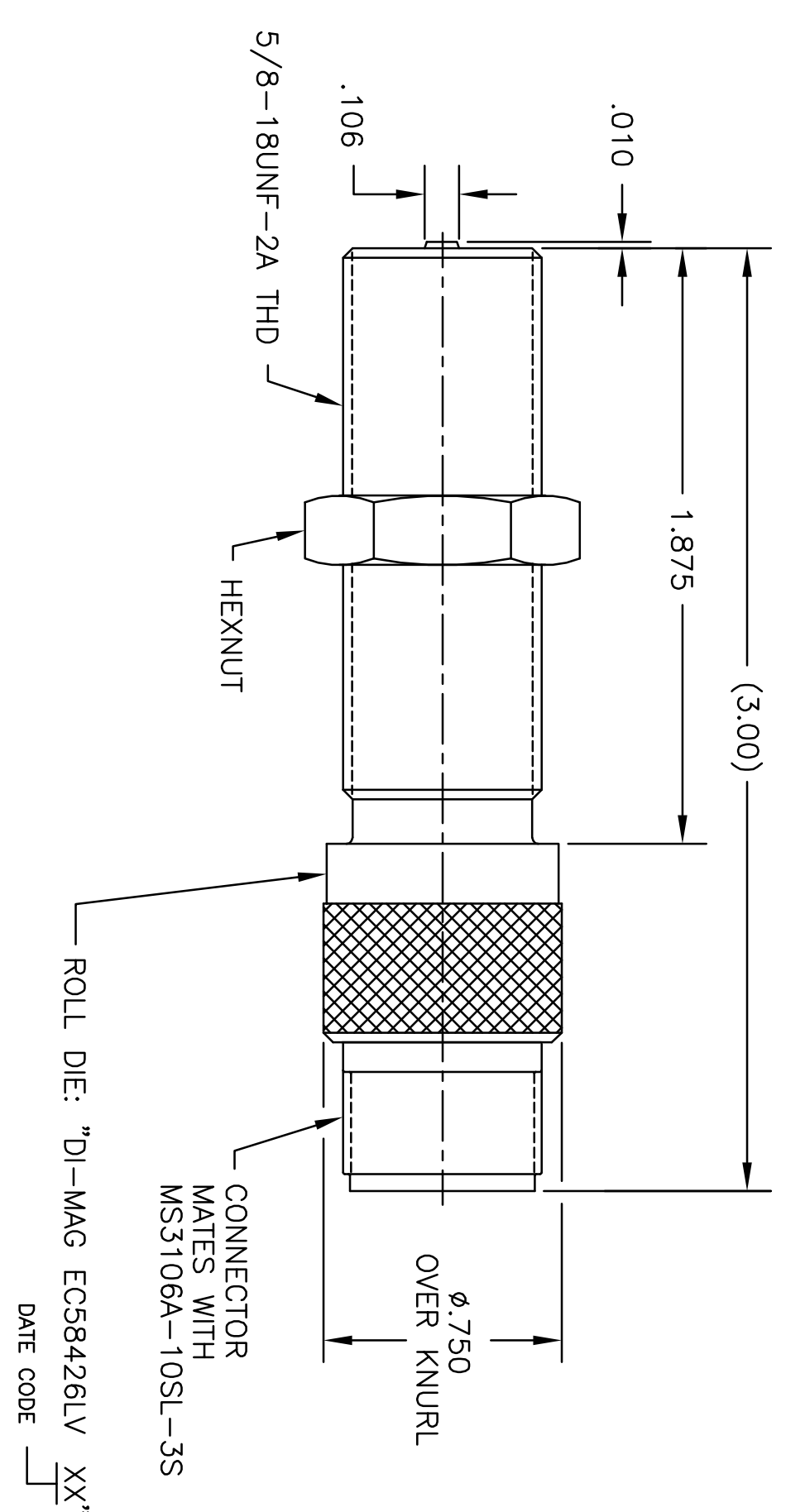


ELECTRICAL CHARACTERISTICS @ 25°C			
PARAMETER	MIN	MAX	UNIT
SUPPLY VOLTAGE	4.5	15	V
SUPPLY CURRENT	-	24	mA
OUTPUT VOLTAGE LOW	-	600	mV
OUTPUT VOLTAGE HIGH	-	V _{CC}	V
DUTY CYCLE	20	80	%
OPERATING TEMP	0	70	°C
OPERATING GAP	-	-	IN
MAX SINK CURRENT	-	80	mA
FREQUENCY RESPONSE	0	10	KHz
OUTPUT LEAKAGE CURRENT	-	15	µA
REVERSE POLARITY:	15	VDC	ACROSS POWER INPUTS
INSTALLATION TORQUE	-	20	FT-LB

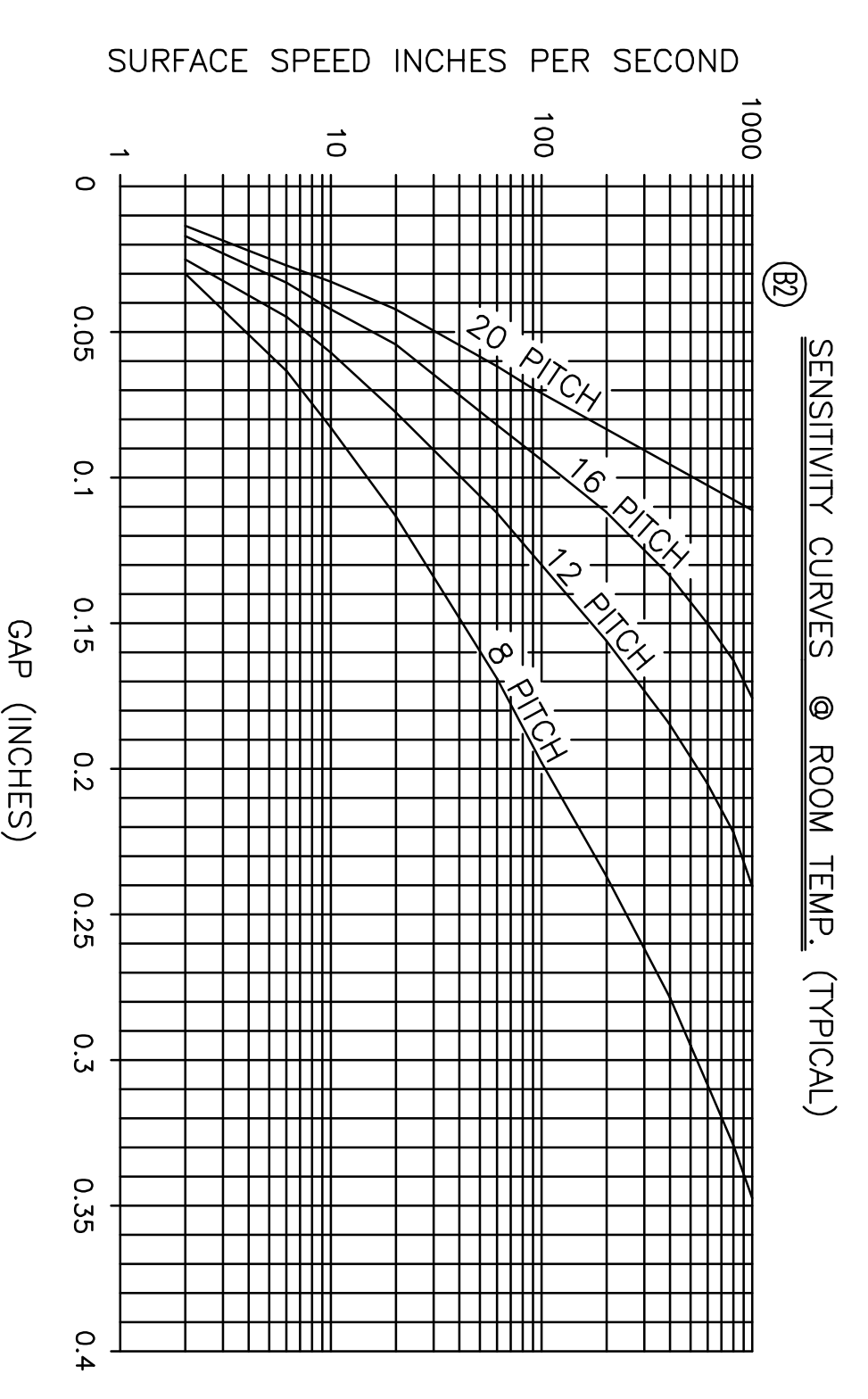
- NOTES:
 1. FINAL TEST 100% & RECORD PER 109466.
 2. FINAL TEST GAP: .110 WITH A 20 PITCH GEAR. (B)

REVISIONS				
ZONE	REV.	DESCRIPTION	DATE	APPROVED
A	1	PRODUCTION RELEASE CND350	8/14/98	JBKIII
B1	1	TEST GAP .110 WAS .125 CND578	11/10/98	GC
B2	1	REV. SENSITIVITY CURVE FOR 20 PITCH		



PIN A = + SUPPLY
 PIN B = - SUPPLY
 PIN C = OUTPUT

DATE CODE XX

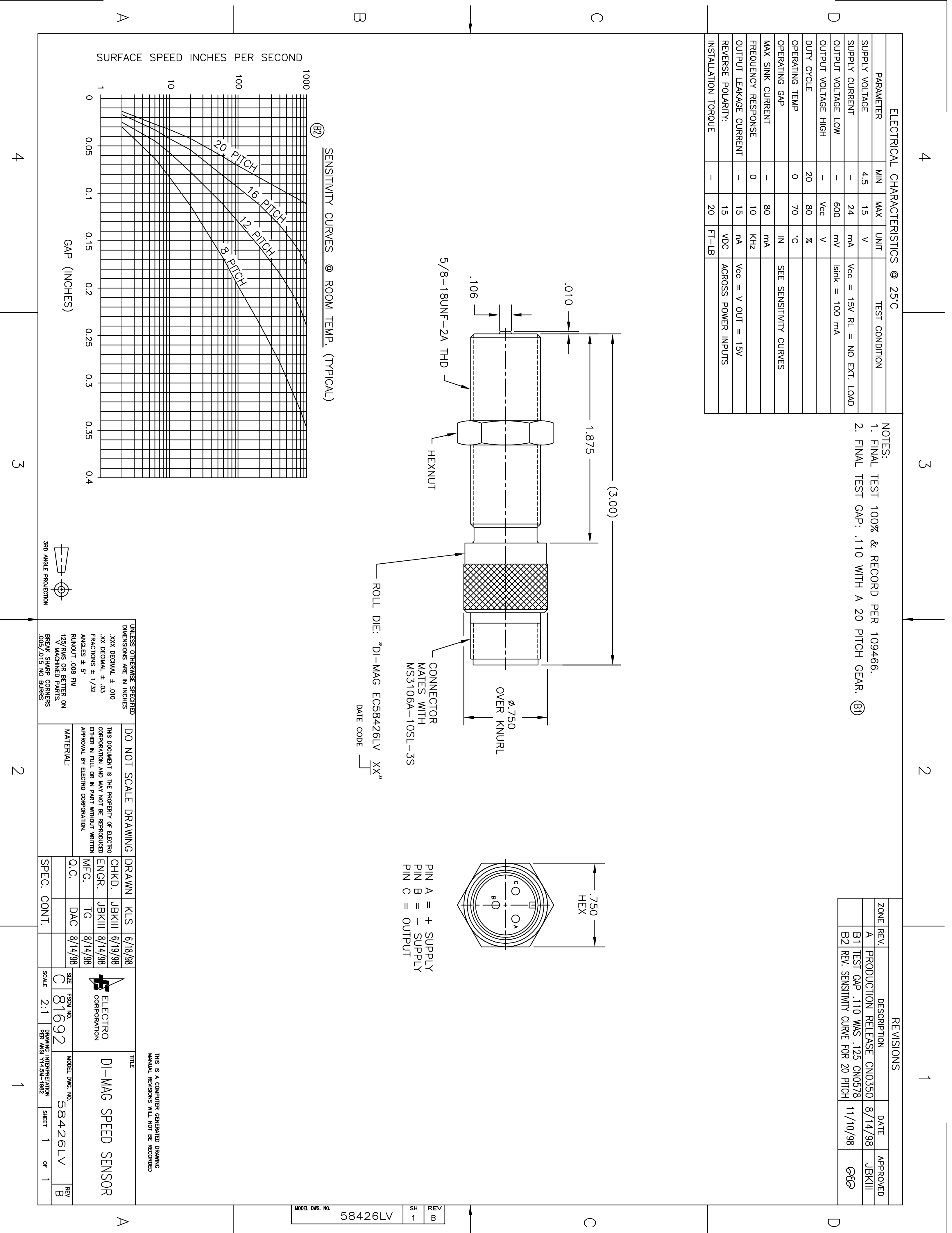


SENSITIVITY CURVES @ ROOM TEMP. (TYPICAL)

UNLESS OTHERWISE SPECIFIED DIMENSIONS ARE IN INCHES		DO NOT SCALE DRAWING		DRAWN		KLS		8/18/98		ELECTRO CORPORATION		TITLE	
.XXX DECIMAL ± .010		THIS DOCUMENT IS THE PROPERTY OF ELECTRO CORPORATION AND MAY NOT BE REPRODUCED EITHER IN FULL OR IN PART WITHOUT WRITTEN APPROVAL BY ELECTRO CORPORATION.		CHKD.		JBKIII		8/19/98		MODEL DWG. NO.		DI-MAG SPEED SENSOR	
.XX DECIMAL ± .03				ENGR.		JBKIII		8/14/98		DRAWING INTERPRETATION		SHEET 1 OF 1	
FRACTIONS ± 1/32				MFG.		TG		8/14/98		REV		B	
ANGLES ± 5°				O.C.		DAC		8/14/98		SCALE		2:1	
ROUND TO .008 FIN				SPEC. CONT.						SIZE		FSCM NO. 81692	
12/29 FINIS OR BENTEN ON BREAK. SHARP CORNERS .005/.015 NO BURRS										PER ANSI Y14.9M-1982			

THIS IS A COMPUTER GENERATED DRAWING
 MANUAL REVISIONS WILL NOT BE RECORDED

MODEL DWG. NO.	58426LV	SH	1	REV	B
----------------	---------	----	---	-----	---



UNCONTROLLED COPY. REVISIONS WILL NOT BE AUTOMATICALLY UPDATED. CONFIRM APPROPRIATE REVISION LEVEL WITH ELECTRO CORPORATION.