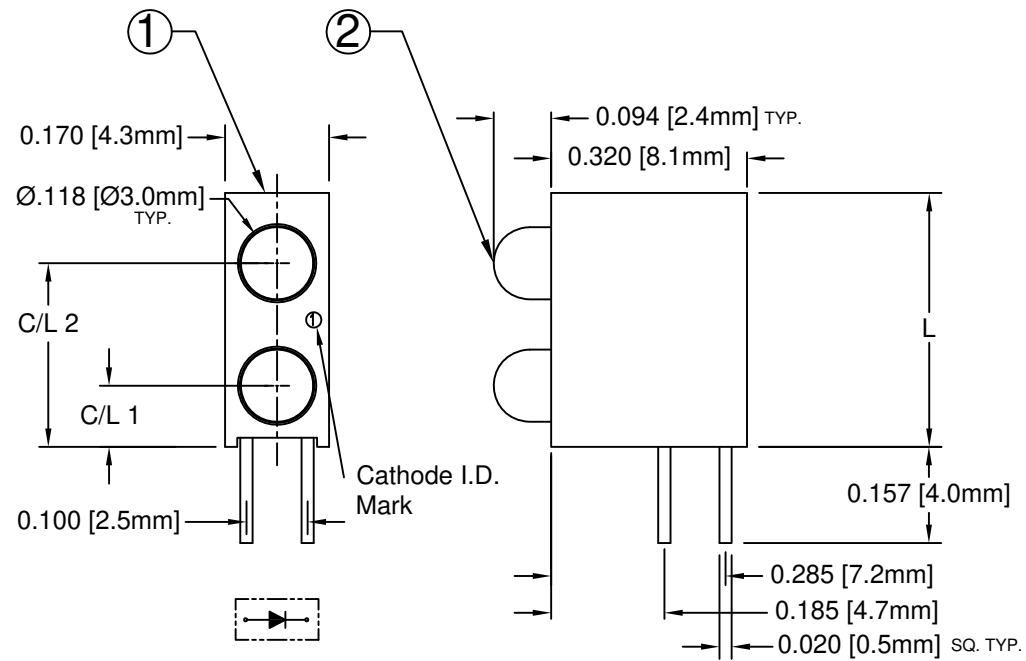
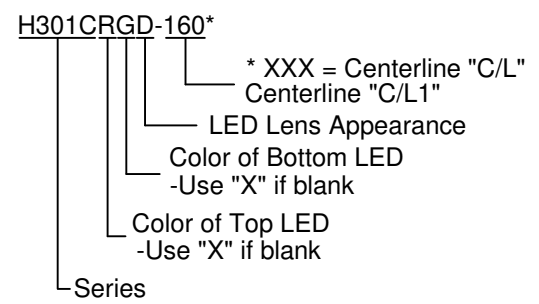


ITEM	Q'TY	PART NUMBER	PART DESCRIPTION
1	1	H-301C-1-XXX	T-1 (3mm) Bi-Level LED Holder, 90° Mount, Var. C/L
2	2	3XX-S	T-1 (3mm) N-Flange Shouldered LED, See Page 2

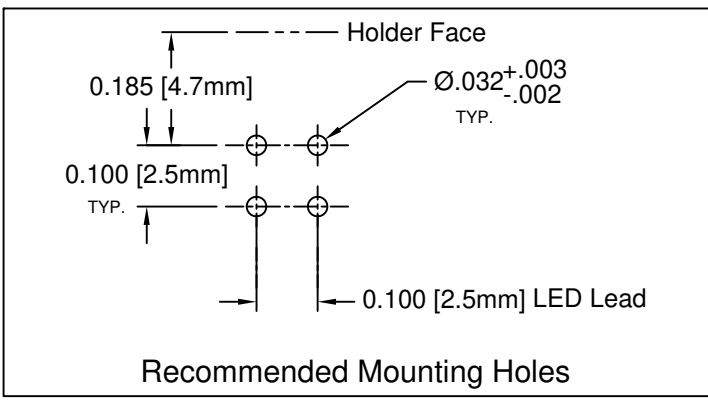
REV.	DESCRIPTION	DATE	APPROVED
A	Engineering Update w/o Changes	03/10/04	M. C.
B	LED Package Change to 3XX-S LEDs	12/14/07	M. C.
C	Added H301CSRC-XXX Spec	03/04/08	M. C.
D	Added P/N Designation Note	08/19/09	T. Y.
E	Engineering Update w/o Changes	06/24/16	J. C.



PART NUMBER DESIGNATION



-If all LEDs are the same, use e.g. H301CRD-100
 -All Red LEDs



Available Centerlines			
XXX	C/L 1	C/L 2	L
100	.100 (2.5)	.300 (7.6)	.415 (10.6)
120	.120 (3.0)	.320 (8.1)	.435 (11.0)
140	.140 (3.6)	.340 (8.6)	.455 (11.6)
160	.160 (4.1)	.360 (9.1)	.475 (12.1)
180	.180 (4.6)	.380 (9.7)	.495 (12.6)



ABSOLUTE MAXIMUM RATINGS (Ta=25° C)

REVERSE VOLTAGE _____ 5V
 REVERSE CURRENT _____ 100uA
 OPERATING TEMPERATURE RANGE _____ -25° C - 85° C
 STORAGE TEMPERATURE _____ -30° C - 100° C
 LEAD SOLDERING TEMPERATURE(1/16" FROM BODY) _____ 260° C FOR 5 SECONDS

STANDARD TOLERANCE (UNLESS OTHERWISE SPECIFIED)		 4 THOMAS, IRVINE, CA. 92618 TEL: (949) 951-8808 FAX: (949) 951-3974	
DECIMALS	ANGULAR		
.X ± .1	X° ± 1°		TITLE: T-1 (3MM) 90° BI-LEVEL VAR. C/L LED ASSY
.XX ± .02			
.XXX ± .010		DESIGNED: T. Yin DATE: 03/10/04	PART NO: H301CXX-XXX REVISION: E
CHECKED: D. Green DATE: 03/10/04		CAGE CODE : 32559 SHEET # 1 OF 2	
CAD GENERATED DOCUMENT. DO NOT MEASURE DRAWING.			

REV.	DESCRIPTION	DATE	APPROVED
	SEE SHEET #1		

LED Assy. No.	Peak Wave Length λ_p (nm)	Emitted Color	Lens Appearance	Electro-Optical Data				Viewing Angle $2\theta_{1/2}$ (Deg)	LED P/N
				I _f (mA)	V _f (V)		I _v (mcd)		
				TYP	TYP	MAX	TYP		
STANDARD				Data @ 20m A					
H301CBWD-XXX	430	BLUE	DIFFUSED	20	4.0	4.5	10	40	3BWD-S
H301CGD-XXX	568	GREEN	DIFFUSED	20	2.1	2.8	25	40	3GD-S
H301CSGC-XXX	568	SUPER GREEN	WATER CLEAR	20	2.1	2.8	50	30	3SGC-S
H301CSGD-XXX	568	SUPER GREEN	DIFFUSED	20	2.1	2.8	30	40	3SGD-S
H301CSGT-XXX	568	SUPER GREEN	TINTED	20	2.1	2.8	50	30	3SGT-S
H301CYD-XXX	590	YELLOW	DIFFUSED	20	2.0	2.8	20	40	3YD-S
H301CHD-XXX	625	HE RED	DIFFUSED	20	2.0	2.8	30	40	3HD-S
H301CRD-XXX	700	RED	DIFFUSED	20	2.1	2.8	2	40	3RD-S
H301CSR-XXX	645	SUPER RED	DIFFUSED	20	1.7	2.4	40	40	3SRD-S
H301CSRC-XXX	645	SUPER RED	WATER CLEAR	20	1.7	2.4	60	30	3SRC-S
LOW CURRENT				Data @ 2m A					
H301CGDL-XXX	568	GREEN	DIFFUSED	2	2.1	2.6	2	40	3GDL-S
H301CYDL-XXX	590	YELLOW	DIFFUSED	2	2.0	2.6	2	40	3YDL-S
H301CHDL-XXX	625	HE RED	DIFFUSED	2	2.0	2.6	3	40	3HDL-S
5 VOLT				Data @ 5V					
H301CGD5V-XXX	568	GREEN	DIFFUSED	8	-	5.0	25	40	3GD5V-S
H301CYD5V-XXX	590	YELLOW	DIFFUSED	8	-	5.0	20	40	3YD5V-S
H301CHD5V-XXX	625	HE RED	DIFFUSED	8	-	5.0	30	40	3HD5V-S

STANDARD TOLERANCE (UNLESS OTHERWISE SPECIFIED) $\pm 10\%$ ALL VALUES ANGULAR		 BIVAR [®] 4 THOMAS, IRVINE, CA. 92618 TEL: (949) 951-8808 FAX: (949) 951-3974	
			
DESIGNED: T. Yin	DATE: 03/10/04	TITLE: T-1 (3MM) 90° BI-LEVEL VAR. C/L LED ASSY	
CHECKED: D. Green	DATE: 03/10/04	PART NO: H301CXX-XXX	REVISION: E
		CAGE CODE : 32559	SHEET # 2 OF 2
CAD GENERATED DOCUMENT. DO NOT MEASURE DRAWING.			