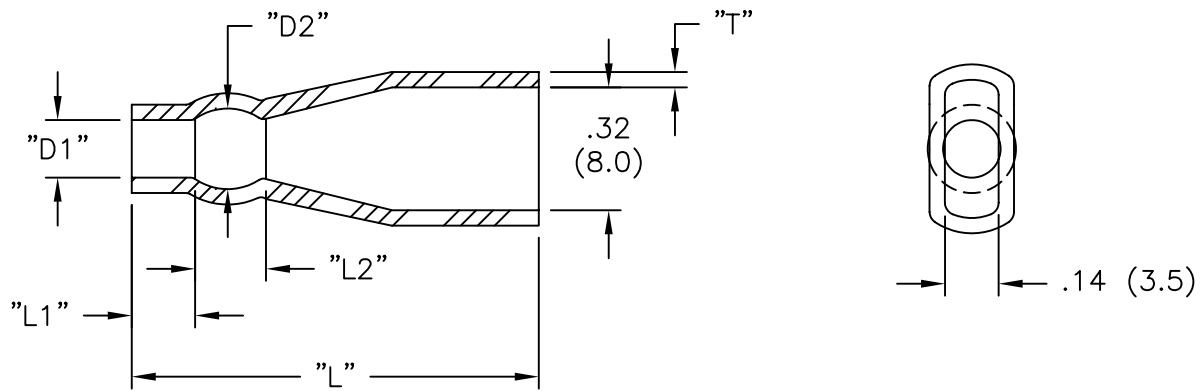


RICHCO PART NO.	WIRE O.D. RANGE	WIRE GA.	"D1"	"D2" REF.	"L1" ±.04 (1.0)	"L2" REF.	"L" ±.04 (1.0)	"T" ±.008 (0.2)
238020	.058-.080 (1.5-2.0)	24-20	.08 (2.0)	.13 (3.2)	.20 (5.0)	.12 (3.0)	.95 (24.0)	.04 (1.0)
238025	.058-.091 (1.5-2.3)	22-18	.10 (2.5)	.18 (4.5)	.20 (5.0)	.12 (3.0)	.95 (24.0)	.04 (1.0)
238030	.068-.113 (1.7-2.9)	20-18	.12 (3.0)	.18 (4.5)	.20 (5.0)	.14 (3.5)	.95 (24.0)	.04 (1.0)
238032	.071-.126 (1.8-3.2)	18-16	.13 (3.2)	.19 (4.7)	.20 (5.0)	.10 (2.5)	.95 (24.0)	.04 (1.0)
238035	.071-.140 (1.8-3.6)	18-14	.14 (3.5)	.18 (4.5)	.20 (5.0)	.12 (3.0)	.95 (24.0)	.04 (1.0)
238038	.091-.140 (2.3-3.6)	16-14	.15 (3.8)	.21 (5.3)	.20 (5.0)	.10 (2.5)	.98 (25.0)	.04 (1.0)
238040	.091-.140 (2.3-3.6)	16-14	.16 (4.0)	.20 (5.0)	.20 (5.0)	.12 (3.0)	.97 (24.5)	.04 (1.0)
238048	.113-.190 (2.9-4.8)	14-12	.19 (4.8)	.25 (6.3)	.20 (5.0)	.10 (2.5)	.98 (25.0)	.04 (1.0)
238060	.182-.214 (4.6-5.4)	12-10	.24 (6.0)	.30 (7.5)	.28 (7.0)	.10 (2.5)	1.14 (29.0)	.04 (1.0)



NOTES:

- MAT'L: SOFT PVC (RMS-55)
UL YELLOW CARD E81260
- COLOR: TRANSPARENT BLUE

TITLE: "QUICK FIT" INSULATOR-250 SERIES			DWG IN IN (MM)		FINAL	
D	CHANGED FILE NO. AND TITLE BLOCK	SM 10.30.02	FILE #	2380XX	DWN:	P.B.
C	ADDED REF. TO "D2"&"L2" AND TOL. TO "T"	DLC 09.13.01	MAT'L:	SEE NOTES	CHKD:	ENGR:
B	"L1" WAS FROM .20 &"L" WAS FROM 1.06	JB 04.26.96	RE:	RICHCO, INC.	RICHCO INC. PO BOX 804238, CHICAGO, 60680 (773) 539-4060	
A	CONVERTED TO ACAD	PB 08.03.94	PART #			
REV	DESCRIPTION	ENGR DATE	SEE TABLE			
					PRINT TYPE	
					CA	