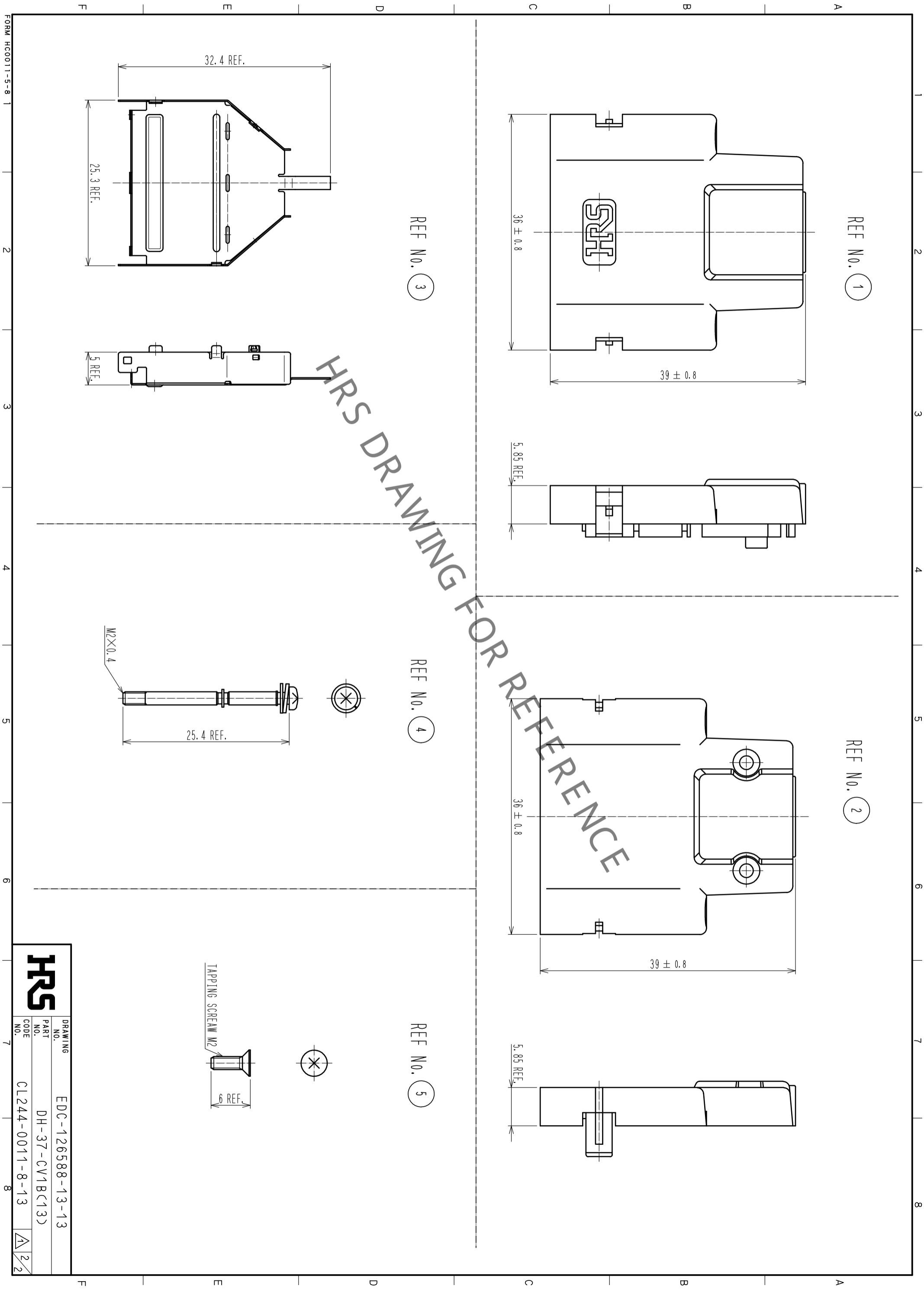


HRS DRAWING FOR REFERENCE

- NOTE 1. THIS PRODUCT IS DELIVERED SEPARATELY.
 2 AS SHOWN IN THE FIGURE, THIS PRODUCT SHALL BE USED ASSEMBLED TO A CONNECTOR UNIT · DH40-37S^{*} or · DH3+B-37S^{*}. A CLAMP · DH-37-CMB(R.8)^{*} IS NEEDED WHEN ASSEMBLING THE UNIT.
 3. THIS PRODUCT SHALL BE MATED WITH A RECEPTACLE · DH60-37P^{*} WHICH ASSEMBLED LOCK SCREWS · DH-LNA^{***}.
 4 A RECOMMENDED SCREW TIGHTENING TORQUE TO THE LOCK SCREWS TO BE FROM 0.06 TO 0.07 N · m.
 5 A RECOMMENDED SCREW TIGHTENING TORQUE FOR COVERS TO BE FROM 0.1 TO 0.15 N · m.

3	STAINLESS STEEL	PLATING : NICKEL 0.1 μm MIN	5	STEEL	OVER PLATING: NICKEL 3 μm MIN UNDER PLATING: COPPER 0.1 μm MIN		
2	PC	UL94V-0 (SAND BEIGE)	4	STEEL	OVER PLATING : NICKEL 2 μm MIN UNDER PLATING : COPPER 1 μm MIN M2X0.4		
1	MATERIAL	FINISH . REMARKS	NO.	MATERIAL	FINISH . REMARKS		
UNITS		SCALE	COUNT	DESCRIPTION OF REVISIONS	DESIGNED	CHECKED	DATE
mm		2 : 1	1	DIS-E-00002570	TS: ITO	TU: TANIUCHI	20191007
APPROVED : KN. ICHIKAWA		20100405		DRAWING		EDC-126588-13-13	
CHECKED : KN. ICHIKAWA		20100405		PART NO.		DH-37-CV1B(13)	
DESIGNED : MO. SHIMOYAMA		20100405		CODE		CL244-0011-8-13	
DRAWN : TM. ONO		20100405		NO.		1/2	



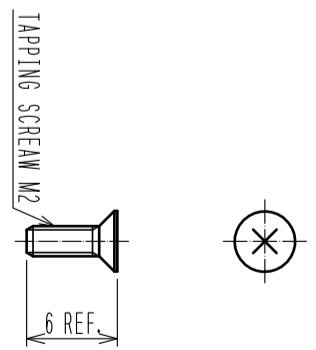
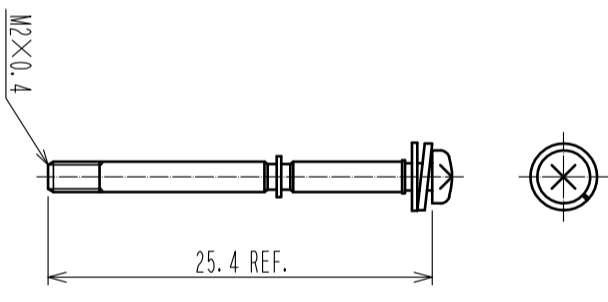
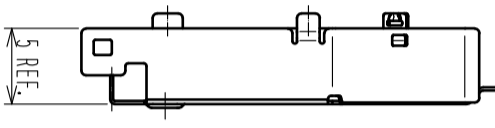
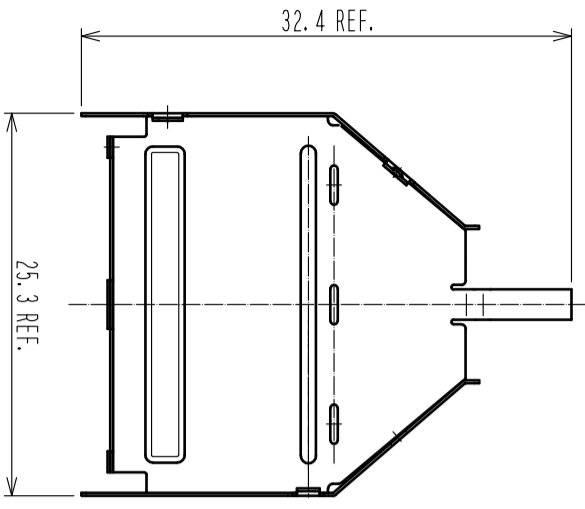
REF NO. ①

REF NO. ②

REF NO. ③

REF NO. ④

REF NO. ⑤



HRS	DRAWING NO.	EDC-126588-13-13
	PART NO.	DH-37-CV1B(13)
	CODE NO.	CL244-0011-8-13
	NO.	

FORM HC0011-5-8

2

3

4

5

6

7

8

F

E

D

C

B

A

F

E

D

C

B

A

1

2

3

4

5

6

7

8