

ENG. NO SDA-89415-****

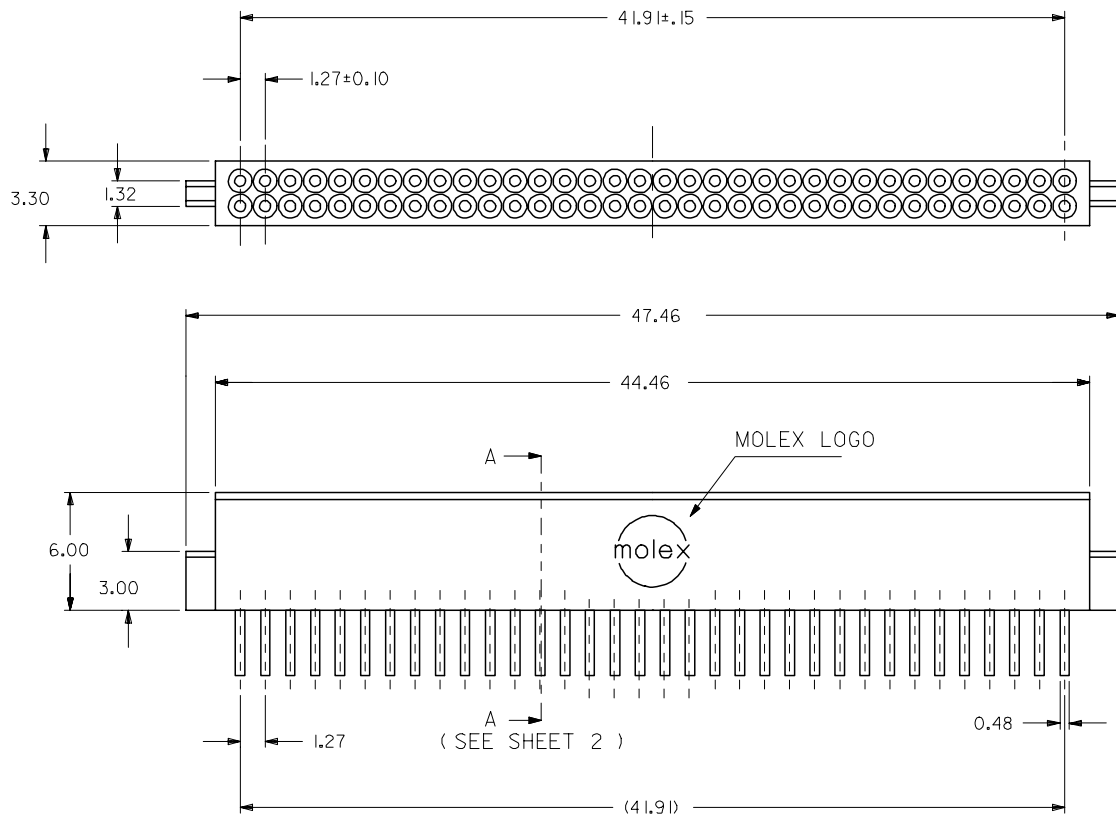
EDP NO.

SIMILAR ITEM

CAD FILE : S89041501

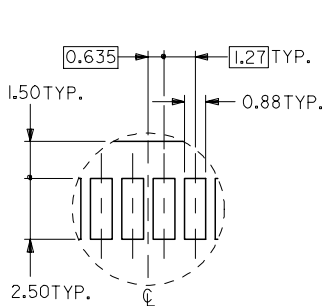
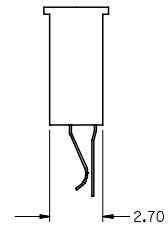
DO NOT SCALE DRAWING

8 7 6 5 4 3 2 1

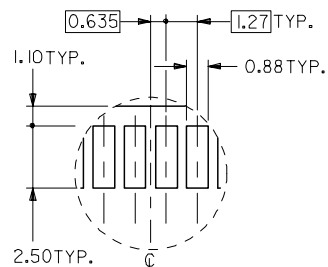


NOTES

1. MATERIAL
HOUSING : HIGH TEMP. PLASTIC
UL94V-0, COLOR: BLACK
TERMINAL: COPPER ALLOY
2. PLATING
CONTACT AREA : Au 0.1 μM MIN. OVER Pd-Ni(80/20)
SOLDER TAIL AREA : PURE TIN 5.0 μM MIN.
UNDERPLATING : Ni 0.5 μM MIN. OVERALL
3. PRODUCT SPEC. REFER TO PS-89415.
4. THE RECOMMENDED PCB THK=0.4MM 0.5MM,
WHEN THE TOTAL THK. OF PCB W/ SOLDER PAST
OVER 0.4MM WILL BE APPLIABLE ,T00.

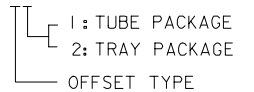


RECOMMENDED PCB LAYOUT (5:1)



RECOMMENDED PCB LAYOUT (5:1)
(FOR 89415-682*ONLY)

P/N : 89415-68**



M	MODIFICATION	SH2005-0223	ALEX SHEN	05/01/12
L	CHANGE	89415-680*	T899-063	THOMAS 981201
K	CHANGE	89415-684*	T99-081	THOMAS 980930
J	REVISE DIM.	T98-243	THOMAS	980608
I	ADD MOLEX LOGO	T98-119	THOMAS	971003
H	ADD TRAY PACKAGE	T98-004	THOMAS	970709
G	PER ECN	T97-340	JULIA	970409
F	PER ECN	T97-204	JULIA	970204
E	PER ECN	T97-142	JULIA	961029
D	PER ECN	T97-095	JULIA	961003
LTR	REVISION RECORD	ECN	DR	DATE

MATERIAL :	SEE NOTES	 MOLEX TAIWAN LTD. SHEET 1 OF 2
FINISH :		
WIRE RANGE :		GENERAL TOLERANCES ANGLE : ± 3° DIM : ± .25/-.010
INS. RANGE :		ENG. NO. : SDA-89415-****
DRAWN BY ALEX SHEN 2005/01/12	CHK'D BY Harvey Wang 2005/01/24	REV M
APPR'D BY Vincent 2005/01/24		SCALE 4 : 1
TITLE :		68 CKT RECEPTACLE -PC CARD KIT (LEAD-FREE)

REVISE ONLY ON CAD SYSTEM

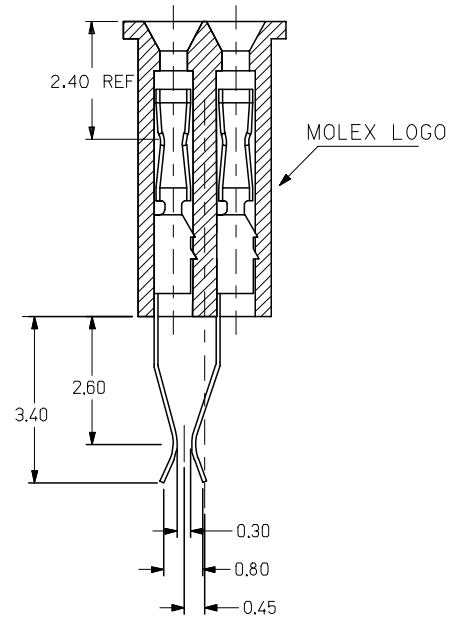
DO NOT SCALE DRAWING

CAD FILE : S8941502

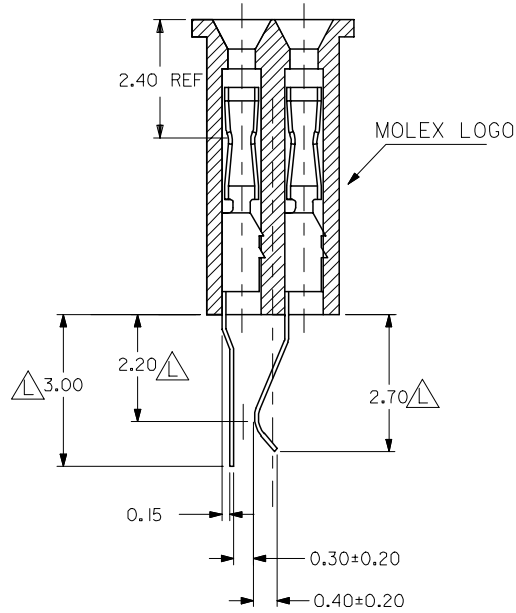
SIMILAR ITEM

EDP NO.

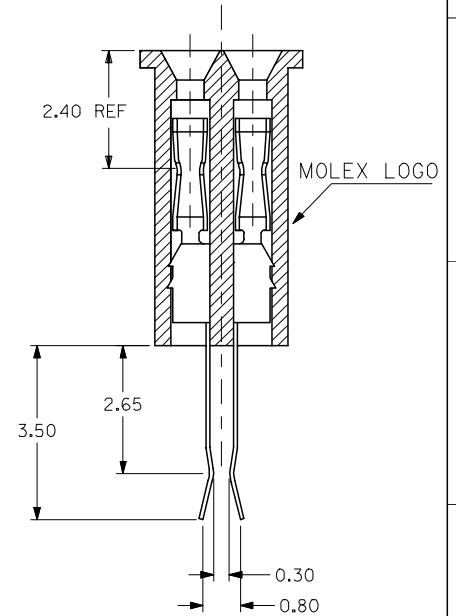
ENG. NO SDA-89415-****




$\triangle L$ 89415-680*



\triangle 89415-682*



$\triangle K$ 89415-684*

M	MODIFICATION	SH2005-0223	ALEX SHEN	05/01/12	MATERIAL :	SEE NOTES	 MOLEX TAIWAN LTD. SHEET 2 OF 2
L	CHANGE	89415-680*	T899-063	THOMAS	981201		
K	CHANGE	89415-684*	T99-081	THOMAS	980930	FINISH :	GENERAL TOLERANCES ANGLE : ± 3° DIM : ± .25/.010
J	REVISE DIM.		T98-243	THOMAS	980608	WIRE RANGE :	
I	ADD MOLEX LOGO		T98-119	THOMAS	971003	INS. RANGE :	ENG. NO. : SDA-89415-****
H	ADD TRAY PACKAGE		T98-004	THOMAS	970709	DRAWN BY	TITLE : 68 CKT RECEPTACLE -PC CARD KIT (LEAD-FREE)
G	PER ECN	T97-340		Julia	970409	ALEX SHEN 2005/01/12	
F	PER ECN	T97-204		Julia	970204	CHK'D BY	SCALE 10 : 1
E	PER ECN	T97-142		Julia	9601029	Harvey Wang 2005/01/24	REV M
D	PER ECN	T97-095		Julia	9601003	APPR'D BY	
LTR	REVISION RECORD	ECN	DR	DATE	REVISION RECORD VINCENT 2005/01/24		