



Product Compliance

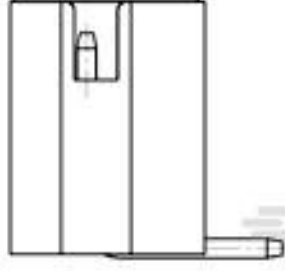
[For compliance documentation, visit the product page on TE.com>](#)

EU RoHS Directive 2011/65/EU	Compliant
EU ELV Directive 2000/53/EC	Compliant
China RoHS 2 Directive MIIT Order No 32, 2016	No Restricted Materials Above Threshold
EU REACH Regulation (EC) No. 1907/2006	Current ECHA Candidate List: JUNE 2023 (235) Candidate List Declared Against: JAN 2023 (233) Does not contain REACH SVHC
Halogen Content	Low Halogen - Br, Cl, F, I < 900 ppm per homogenous material. Also BFR/CFR/PVC Free
Solder Process Capability	Not applicable for solder process capability

Product Compliance Disclaimer

This information is provided based on reasonable inquiry of our suppliers and represents our current actual knowledge based on the information they provided. This information is subject to change. The part numbers that TE has identified as EU RoHS compliant have a maximum concentration of 0.1% by weight in homogenous materials for lead, hexavalent chromium, mercury, PBB, PBDE, DBP, BBP, DEHP, DIBP, and 0.01% for cadmium, or qualify for an exemption to these limits as defined in the Annexes of Directive 2011/65/EU (RoHS2). Finished electrical and electronic equipment products will be CE marked as required by Directive 2011/65/EU. Components may not be CE marked. Additionally, the part numbers that TE has identified as EU ELV compliant have a maximum concentration of 0.1% by weight in homogenous materials for lead, hexavalent chromium, and mercury, and 0.01% for cadmium, or qualify for an exemption to these limits as defined in the Annexes of Directive 2000/53/EC (ELV). Regarding the REACH Regulation, the information TE provides on SVHC in articles for this part number is based on the latest European Chemicals Agency (ECHA) 'Guidance on requirements for substances in articles' posted at this URL: <https://echa.europa.eu/guidance-documents/guidance-on-reach>

Customers Also Bought



TE Part #1775470-3
HPI CONN., 2.0MM, V/T, SMT, 3P, 80U"



TE Part #63575-1
GROUND CLIP 14-18AWG ST



TE Part #63895-1
GROUND CLIP 14-18AWG ST



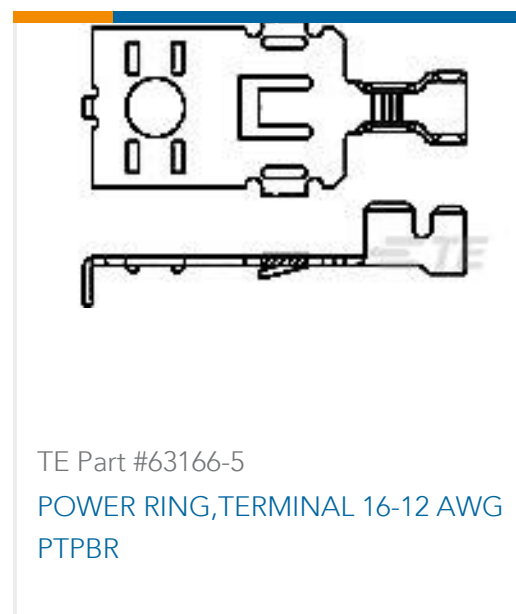
TE Part #8-2176087-1
RP 1J 0.166W 475R 0.1% 25PPM 1K RL



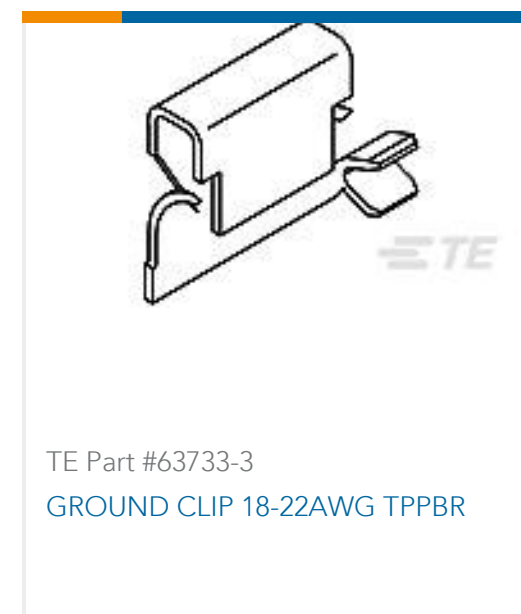
TE Part #1-2176349-8
CRGCO 2512 270R 1%



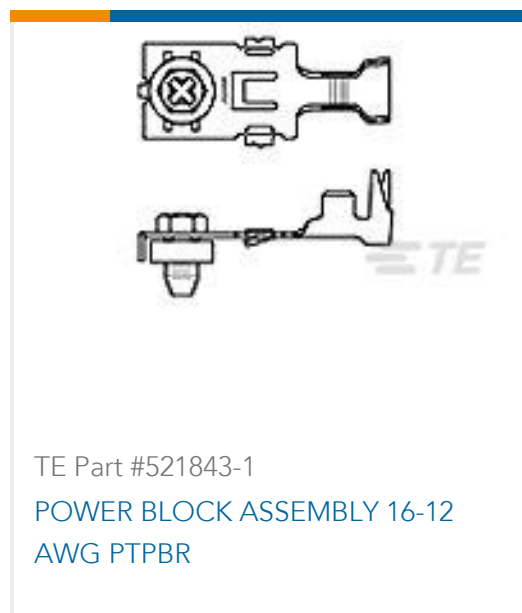
TE Part #1969694-5
PTL 1X5 PCB HEADER R/A STDTEMP
KEY A NAT



TE Part #63166-5
POWER RING, TERMINAL 16-12 AWG
PTPBR



TE Part #63733-3
GROUND CLIP 18-22AWG TPPBR



TE Part #521843-1
POWER BLOCK ASSEMBLY 16-12
AWG PTPBR

Documents

Product Drawings

Grounding Clip, 24-20 AWG

English

CAD Files

3D PDF

3D

Customer View Model

[ENG_CVM_CVM_1742778-1_A.2d_dxf.zip](#)

English

Customer View Model

[ENG_CVM_CVM_1742778-1_A.3d_igs.zip](#)

English

Customer View Model

[ENG_CVM_CVM_1742778-1_A.3d_stp.zip](#)

English

By downloading the CAD file I accept and agree to the [Terms and Conditions](#) of use.

Product Specifications

Application Specification

English