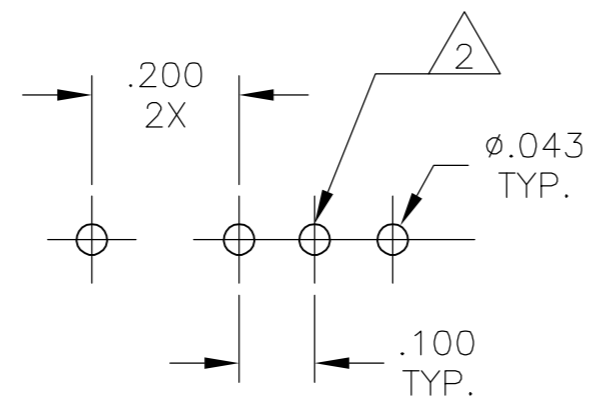
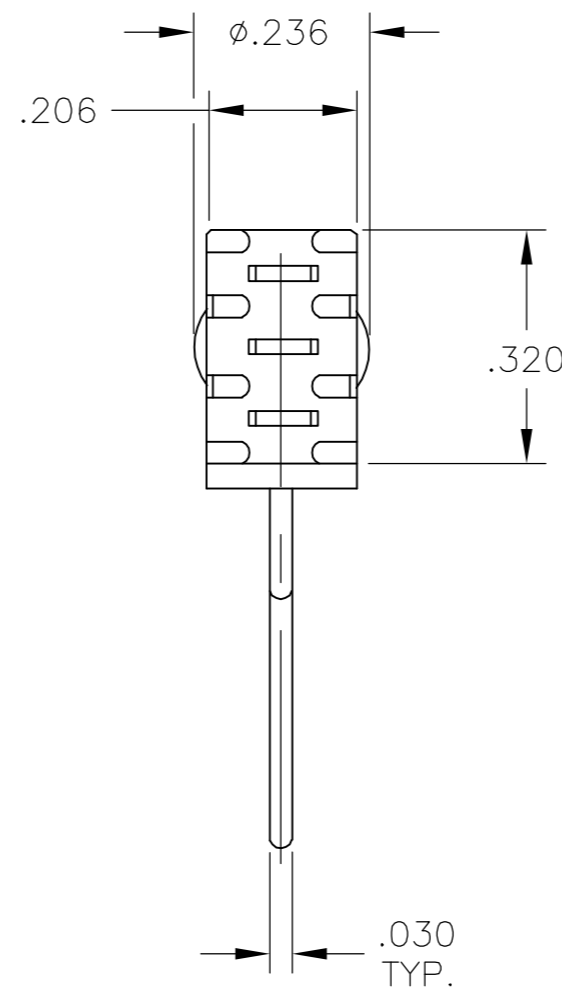
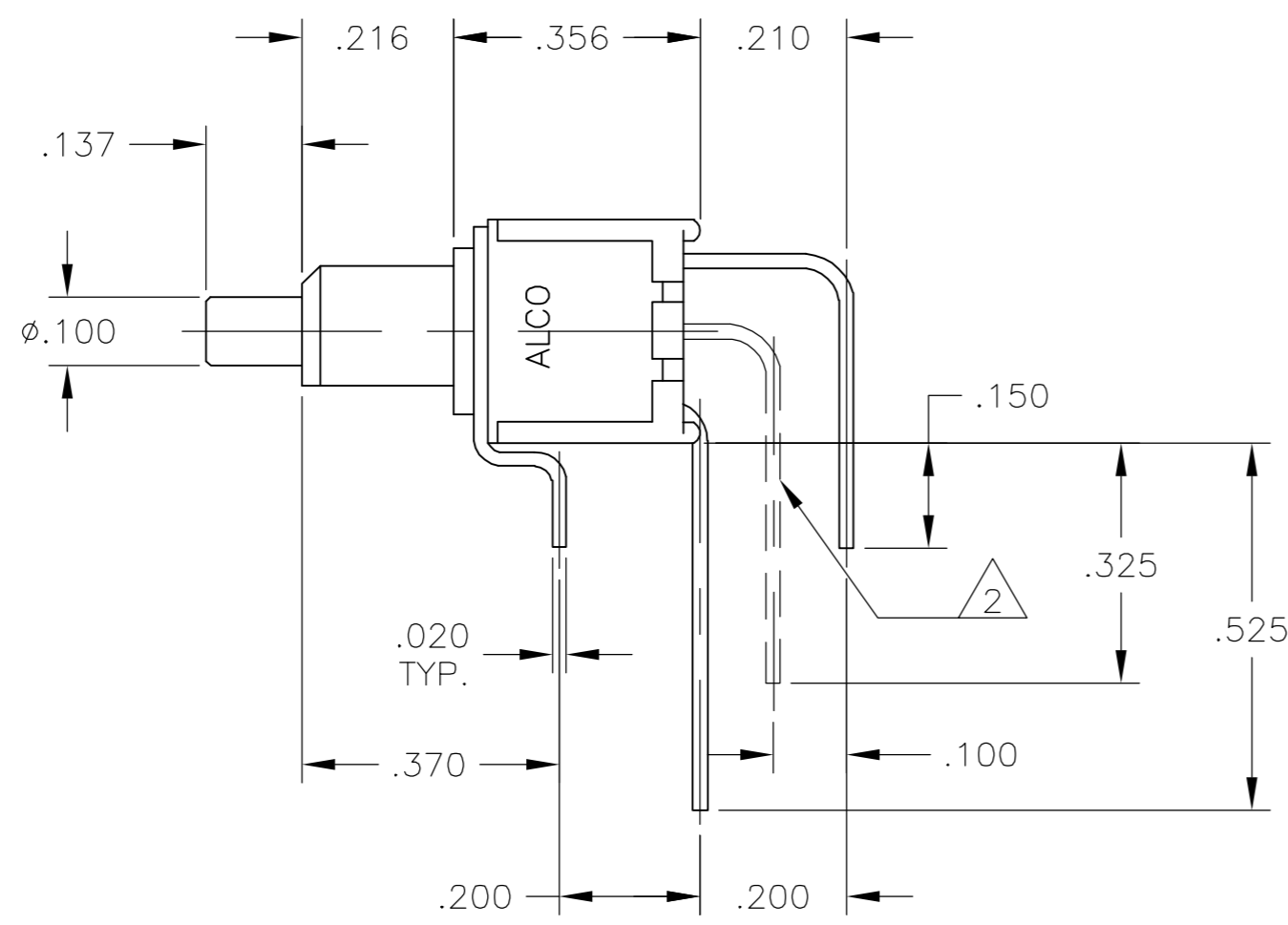
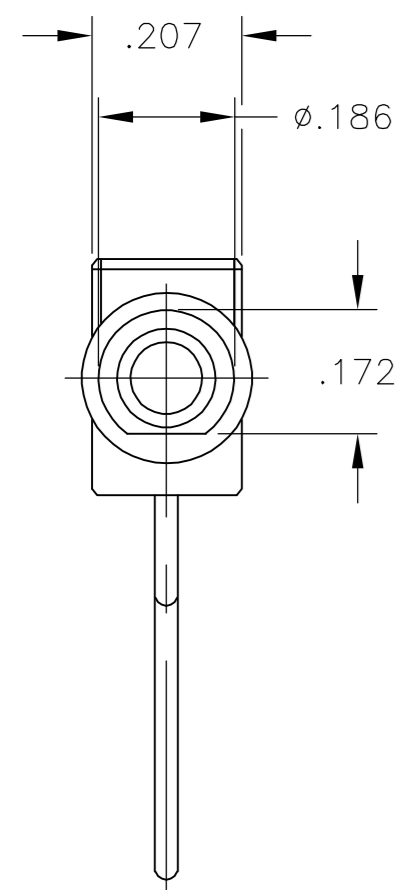


THIS DRAWING IS UNPUBLISHED. RELEASED FOR PUBLICATION
 © COPYRIGHT BY TYCO ELECTRONICS CORPORATION. ALL RIGHTS RESERVED.

LOC		DIST		REVISIONS			
P	LTR	DESCRIPTION	DATE	DWN	APVD		
B		ECO 06 000585	09AUG06	BSV	MZ		



RECOMMENDED HOLE LAYOUT
 TOLERANCE ±.002 UNLESS
 OTHERWISE NOTED.

SPECIFICATIONS:

MATERIALS:

CASE: HIGH TEMPERATURE POLYESTER.
 ACTUATOR: POLYIMIDE. COLOR: SEE BELOW.
 MOVING CONTACT: COPPER ALLOY: GOLD OVER NICKEL PLATE.
 FIXED CONTACT: COPPER ALLOY. TIN/LEAD OVER NICKEL PLATE.
 TERMINAL: COPPER ALLOY. TIN/LEAD OVER NICKEL PLATE.
 TERMINAL SEAL: EPOXY.

ELECTRICAL:

CONTACT RATING: 0.4 VA MAX. @ 20 VDC OR PEAK AC.
 INITIAL CONTACT RESISTANCE: 20 MILLIOHMS MAX.
 INSULATION RESISTANCE: 1,000 MEGHMOHMS @ 500 VDC MIN.
 DIELECTRIC STRENGTH: 1,000 VOLTS @ SEA LEVEL.
 LIFE EXPECTANCY: 60,000 CYCLES.

MECHANICAL:

ACTUATION FORCE: 50 TO 400 GRAMS.
 ACTUATION TRAVEL: .030" APPROX.

ENVIRONMENTAL:

OPERATING TEMPERATURE: -22°F TO +149°F (-30°C TO +65°C)
 STORAGE TEMPERATURE: -22°F TO +149°F (-30°C TO +65°C).

NOTES:

- INTERPRET DRAWING PER ANSI Y14.5M-1982.
- CENTER TERMINAL FOR "F" FUNCTION SWITCHES ONLY.

(*)	BUTTON COLOR
(0)	BLACK
(2)	RED
(6)	BLUE

TERMINALS CONNECTED WHEN BUTTON IS IN POSITION SHOWN.		
FUNCTION CODE		
C	(1-3)	OFF
F	(2-3)	(2-1)
() - INDICATES A MOMENTARY CIRCUIT		
TERMINAL DESIGNATIONS ARE FOR REFERENCE ONLY AND DO NOT APPEAR IN THE SWITCHES.		

THIS DRAWING IS A CONTROLLED DOCUMENT.		DWN S.STARNES. 22FEB00	tyco Tyco Electronics Corporation	
DIMENSIONS: INCHES		CHK S.STARNES. 22FEB00	Harrisburg, Pa 17105-3608	
TOLERANCES UNLESS OTHERWISE SPECIFIED:		APVD -	NAME	
0 PLC ± -		PRODUCT SPEC -	PUSH BUTTON SWITCH	
1 PLC ± -		APPLICATION SPEC -	TPB11 *GVRA (*)	
2 PLC ± -		SCALE 4:1	SIZE A2	RESTRICTED TO
3 PLC ± .010		SHEET 1 OF 1	CAGE CODE 00779	REV B
4 PLC ± -		CUSTOMER DRAWING	DRAWING NO. 6-1437571-3	
ANGLES ± 1°				
FINISH				
MATERIAL SEE SPECIFICATIONS				
SEE SPECIFICATIONS				

6-1437571-3