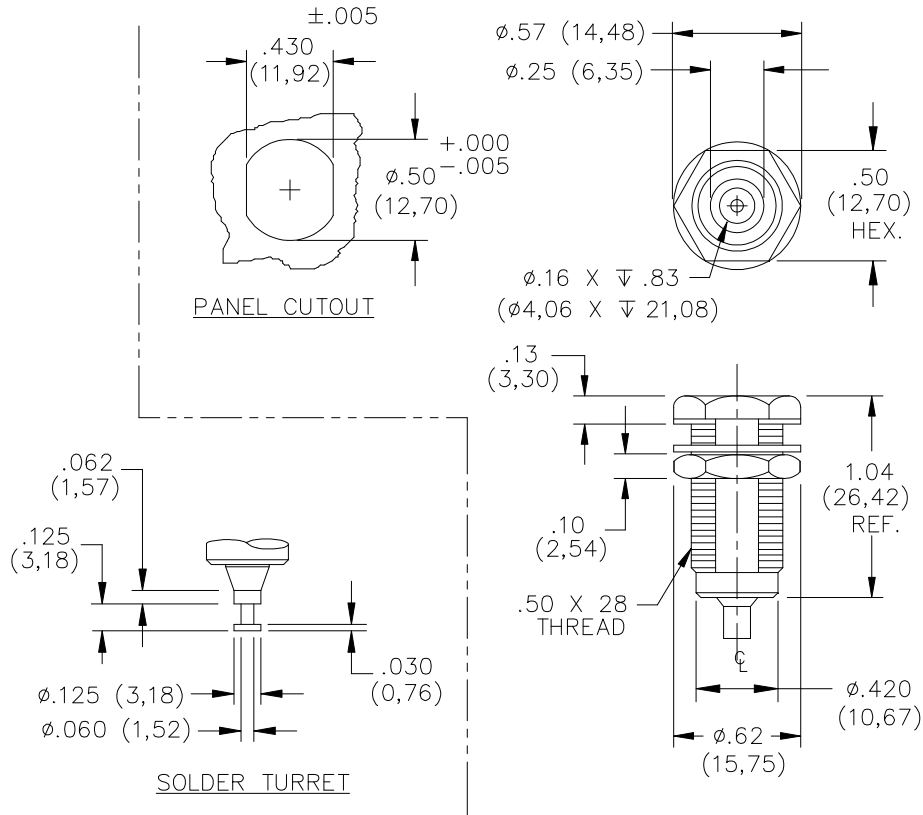


Model 6387 Banana Jack, Panel Mount, 4mm For Sheathed Banana Plugs



Recommended Maximum Panel Thickness: $.57''$ (15mm)

FEATURES:

- Banana Jack mates to all popular shrouded and unshrouded DMM plugs
- Meets IEC 1010-2-031 CAT III 1000V

MATERIALS:

Banana Jack: Brass, Tin-plated

Terminal Type: Solder Turret

Insulation: Nylon, see ordering information for color

Nut: Brass, Nickel Plated

RATINGS:

Operating Voltage: 1000 VRMS Max.
Current: 15 Amperes Max.

ORDERING INFORMATION:

Model 6387-ST-T-*

* = Color, available in -0 Black, -2 Red

Sold in packs of 10.

All dimensions are in inches. Tolerances (except noted): $.xx = \pm .02''$ (.51 mm), $.xxx = \pm .005''$ (.127 mm).

All specifications are to the latest revisions. Specifications are subject to change without notice.

Registered trademarks are the property of their respective companies.

USA: Sales: 800-490-2361

Fax: 425-446-5844

Technical Support: technicalsupport@pomonaest.com

Europe: 31-(0) 40 2675 150

International: 425-446-5500

Where to Buy: www.pomonaelectronics.com