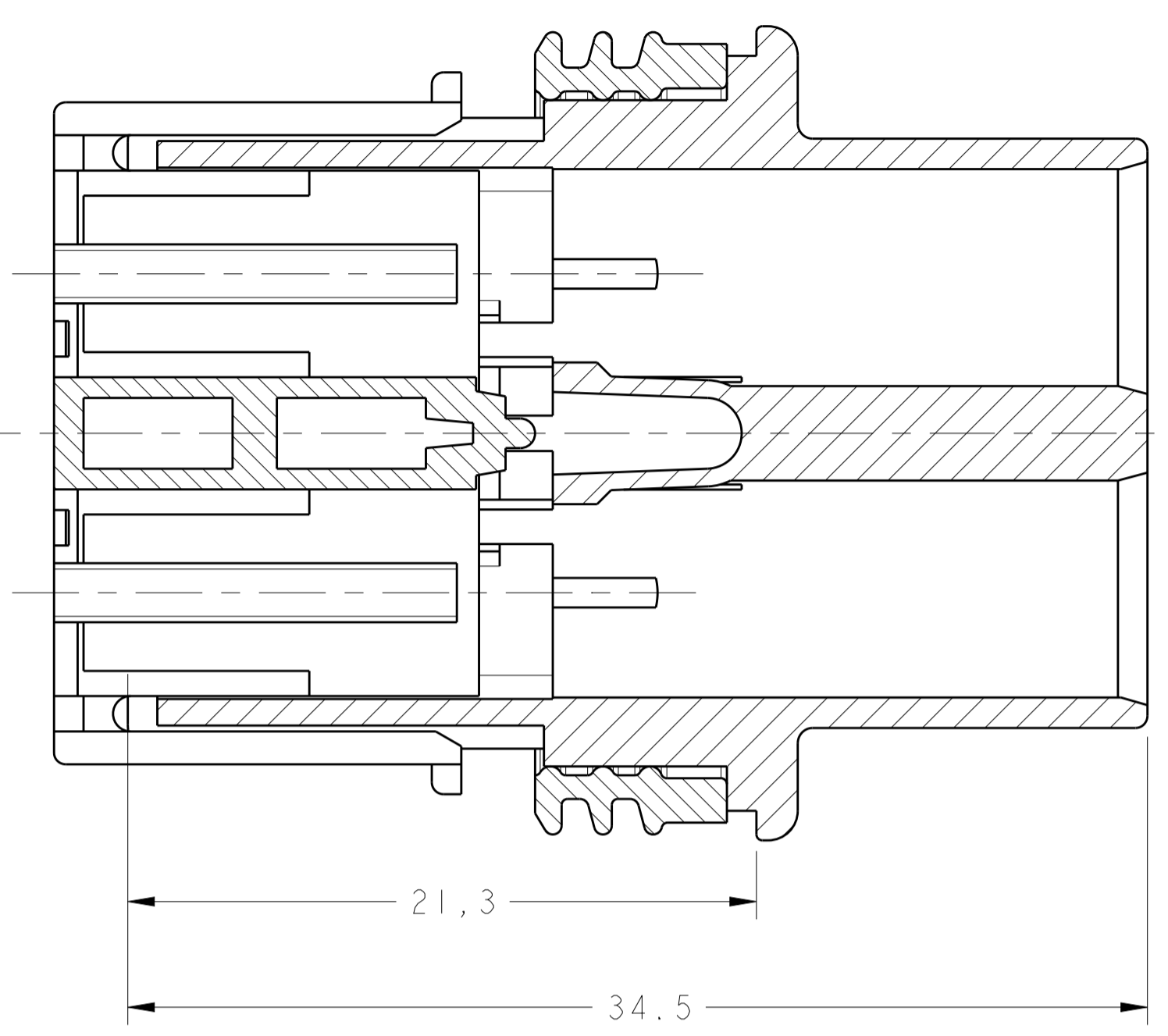
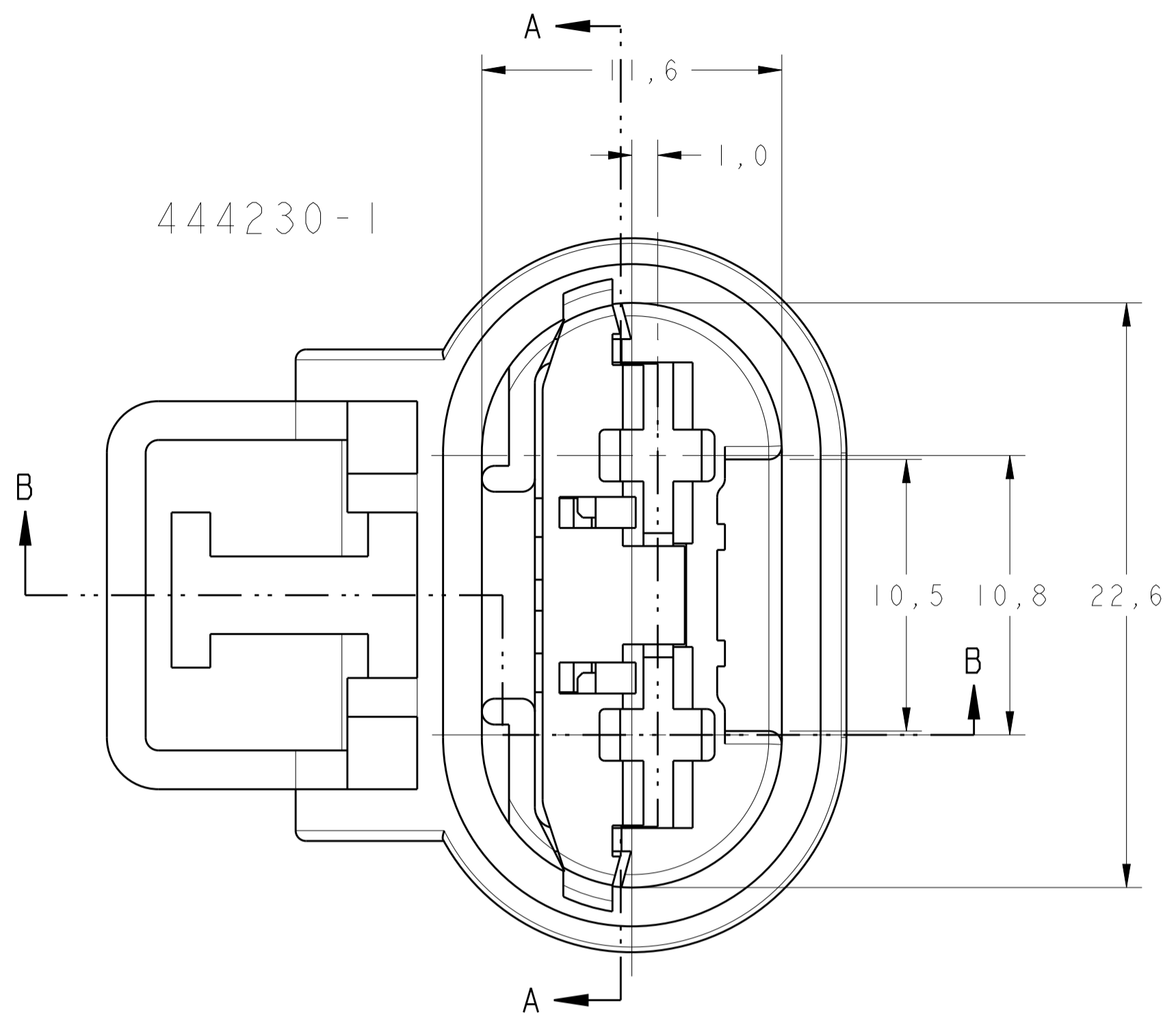
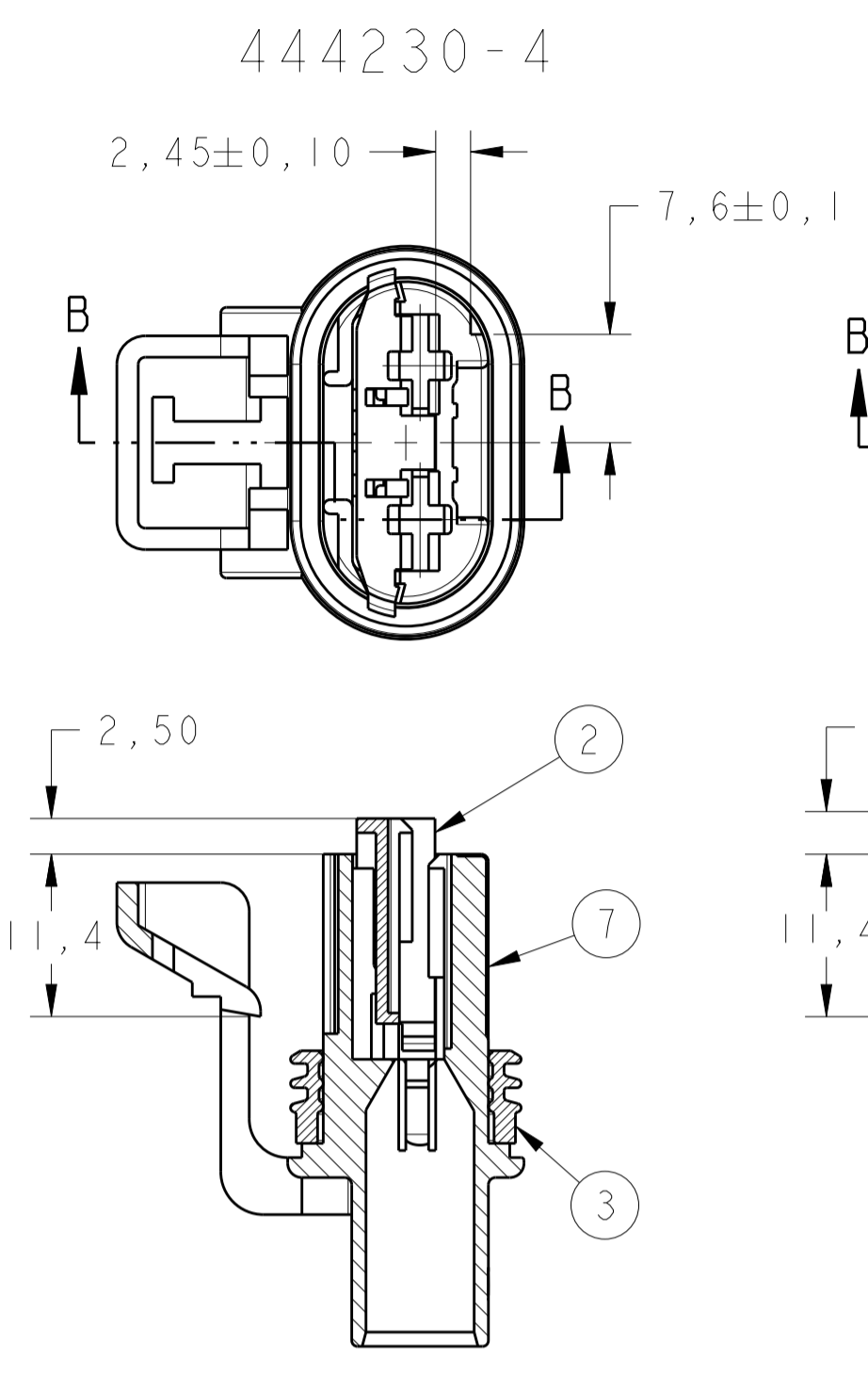


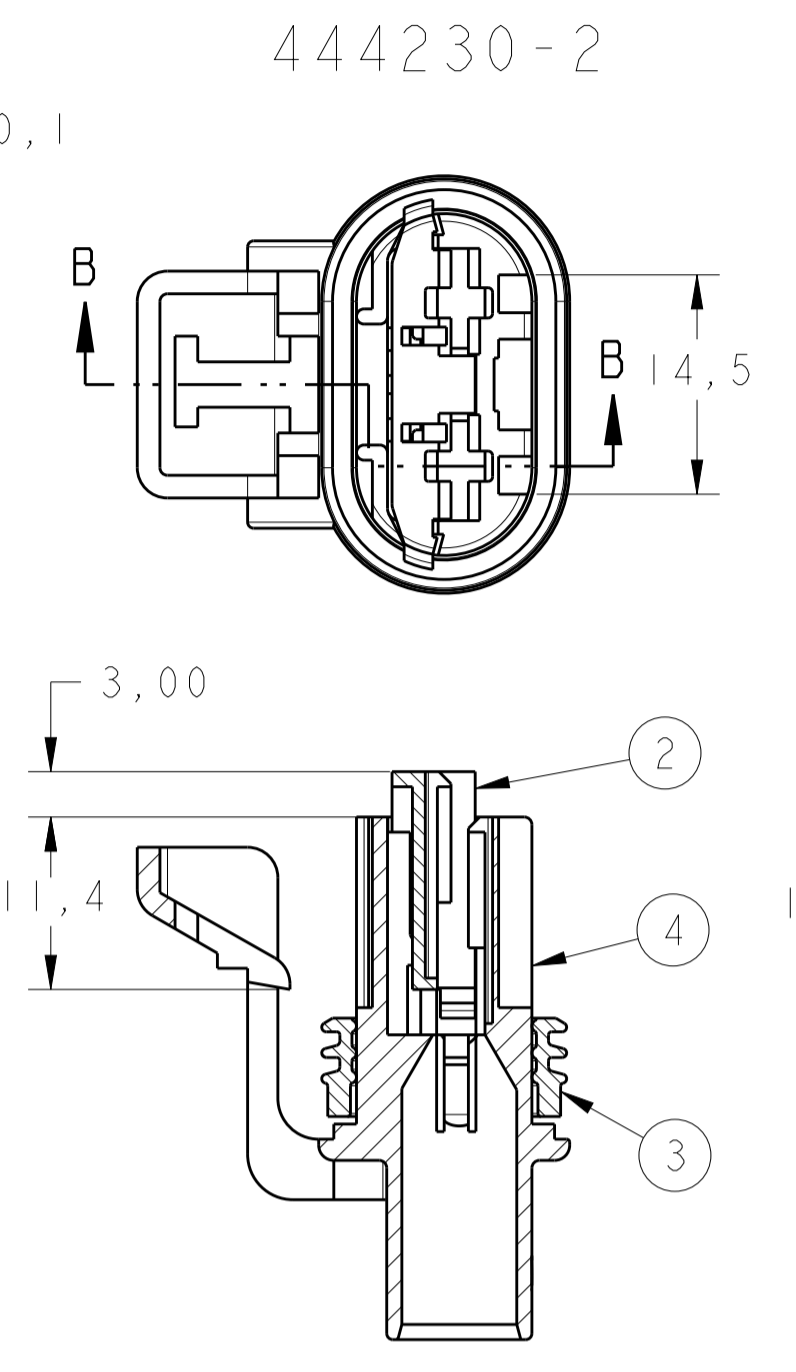
REVISIONS				
P.	LTM	DESCRIPTION	DATE	OWN APVD
G1		REVISED BY ECO-06-005945	04APR2006	NCL PLF
G2		REVISED DRAWING ECO-15-011162	03AUG2015	NCL DAO



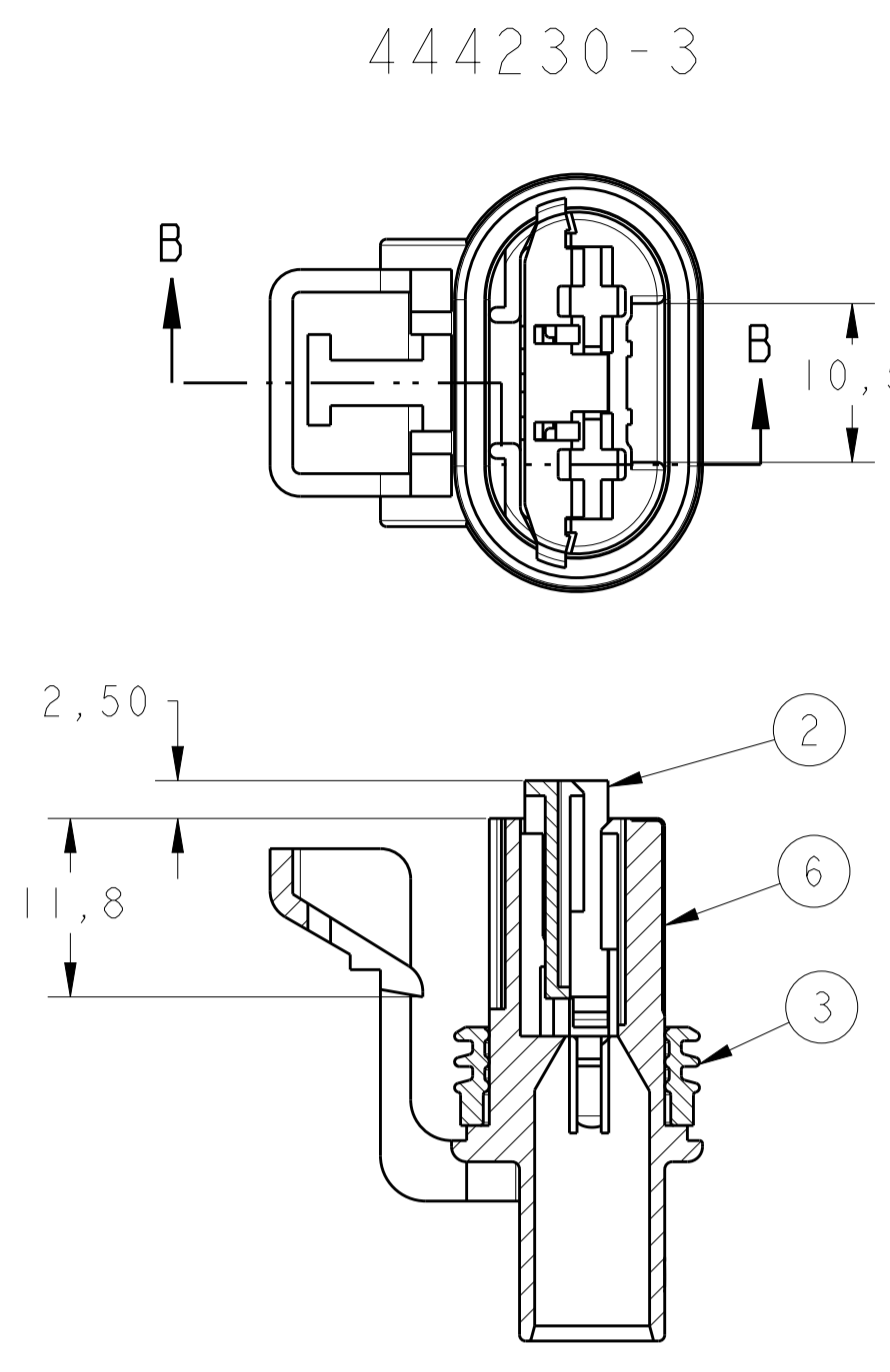
SECTION A-A



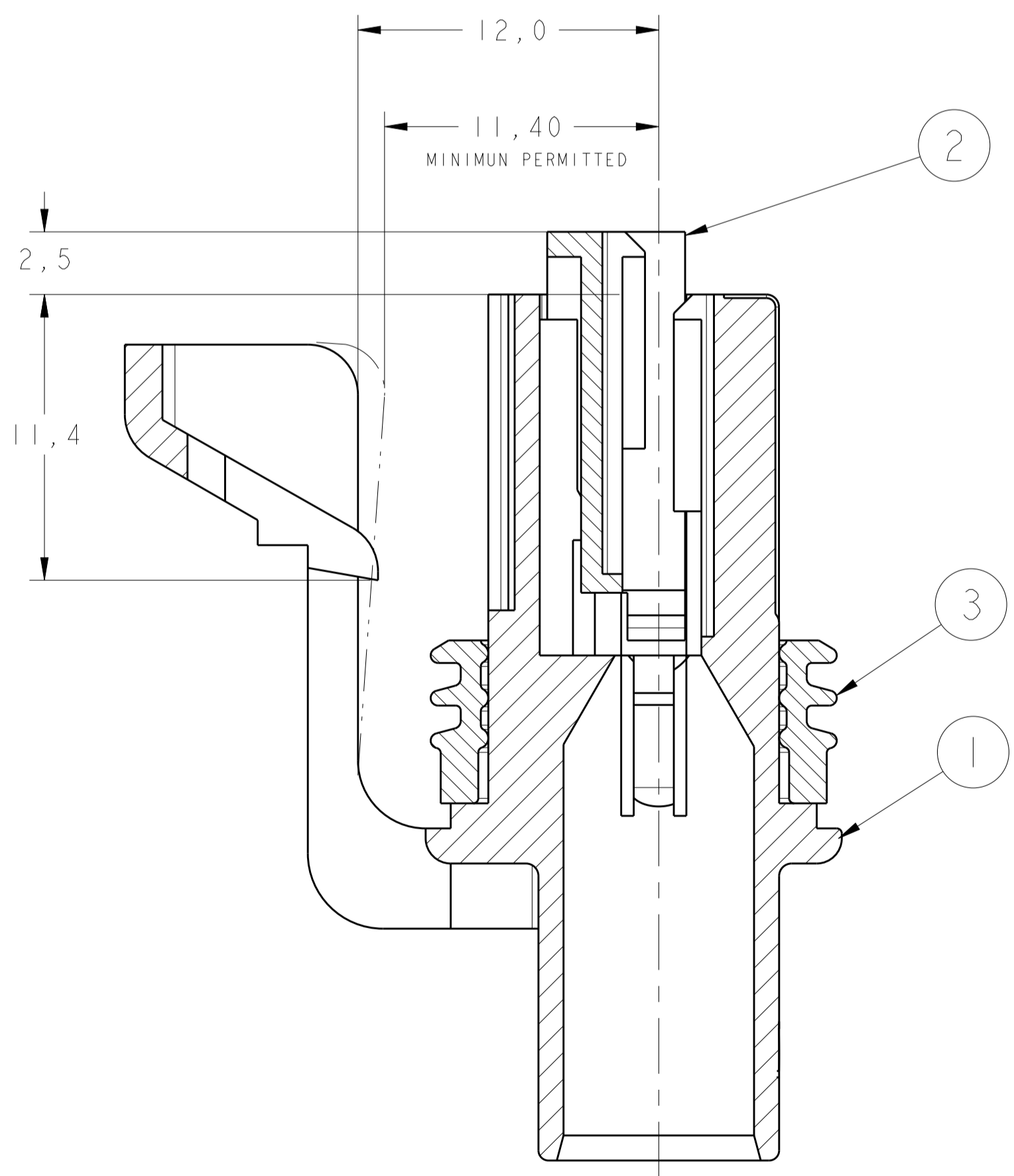
SECTION B-B



SECTION B-B

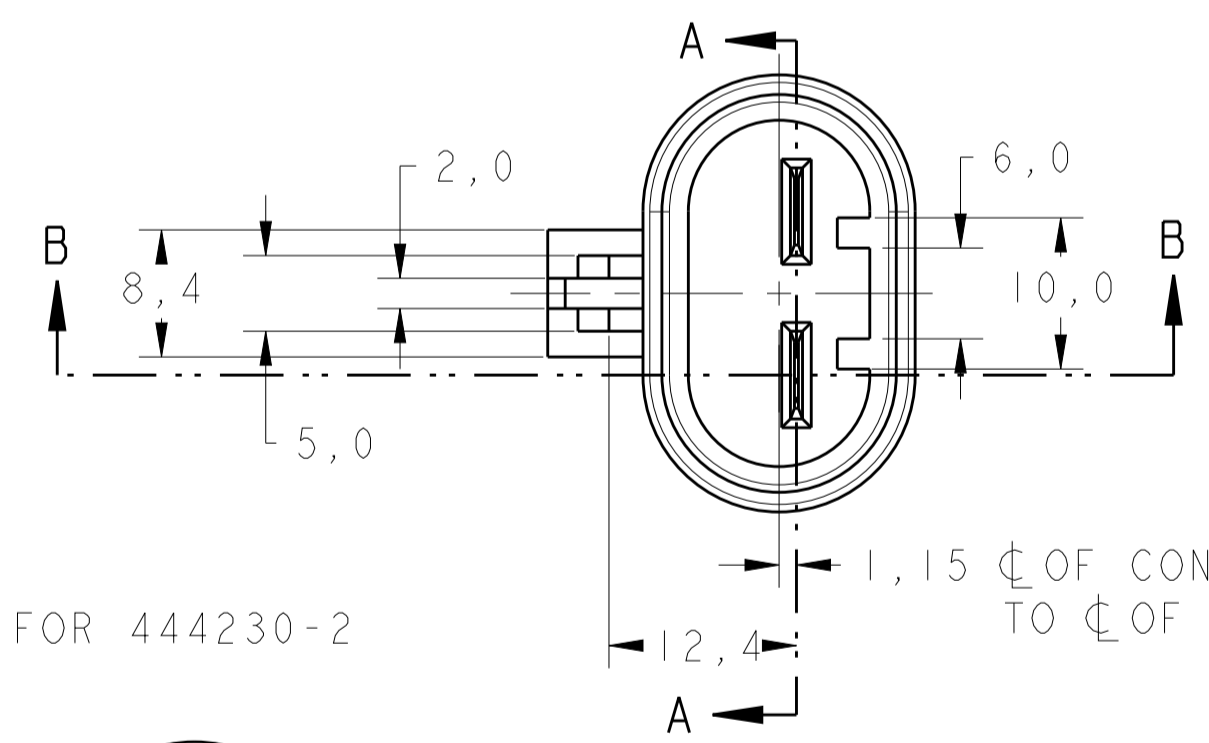


SECTION B-B

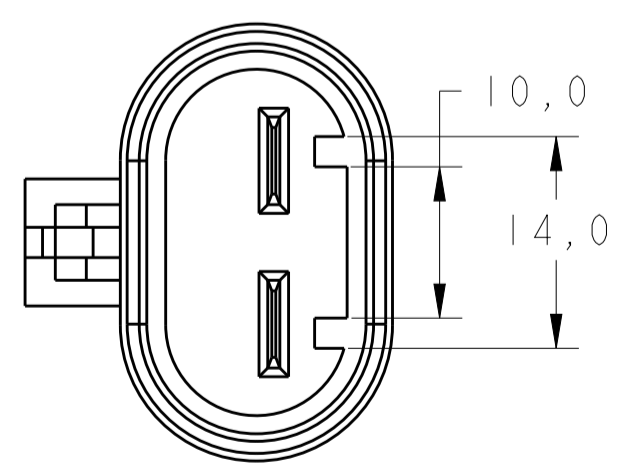


SECTION B-B

FOR 444230-1 AND 444230-3

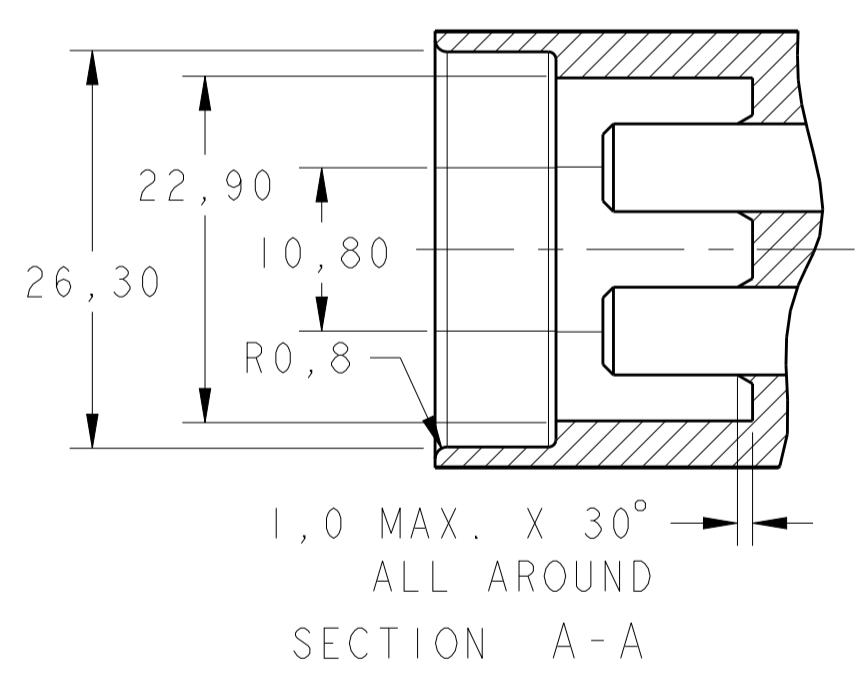


FOR 444230-2

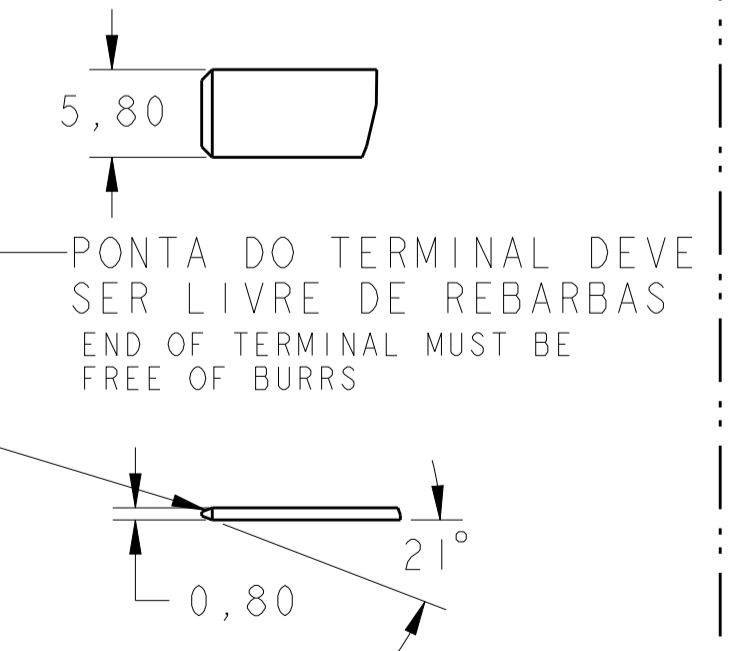


SECTION B-B

INFORMAÇÕES DA CONTRA-PEÇA
 MATING CONNECTOR INFORMATION
 SCALE 2:1



SECTION A-A



INFORMAÇÕES DO TERMINAL
 MATING TERMINAL INFORMATION
 SCALE 2:1

TOLERANCIAS NAO ESPECIFICADAS
 TOLERANCES UNLESS OTHERWISE STATED
 DECIMAL: ONE PLACE: ±0.2
 TWO PLACE: ±0.1
 ANGLES: ±2°

CONECTOR PARA TERMINAIS E SELOS:
 CONNECTOR FOR TERMINALS AND WIRE SEALS

BITOLA WIRE RANGE (mm ²)	PN TERMINAL	SELO Nº PN SEAL
0.5-1.0	927836-2	963243-1
>1.0-2.5	927835-2	963244-1
>2.5-4.0	928966-2	963245-1

GRAVAÇÕES MARKINGS	
MARCA REGISTRADA AMP TRADEMARK AMP	
CÓDIGO PAÍS PRODUTOR MANUFACTURER COUNTRY CODE	
NÚMERO DA PEÇA TE PART NUMBER TE	
NÚMERO CAVIDADE CAVITY NUMBER	
IDENTIFICAÇÃO CIRCUITO CIRCUIT IDENTIFICATION	
PAÍS PRODUTOR MANUFACTURER COUNTRY	

QTY	DESCRIPTION	MATERIAL	FINISH
1	HOUSING, 2P., STD. P. T. RCPT.	PA 6.6	AZUL / BLUE
1	HOUSING, 2P., STD. P. T. RCPT.	PA 6.6	PRETO / BLACK
1	SEAL, 2 POSN.	SILICONE	AZUL / BLUE
1	HOUSING, 2P., STD. P. T. RCPT.	PA 6.6	CINZA / GRAY
1	SEAL, 2 POSN.	SILICONE	VERDE / GREEN
1	SPACER, 2P., STD. P. T. RCPT.	PA 6.6	AMARELO/YELLOW
1	HOUSING, 2P., STD. P. T. RCPT.	PA 6.6	PRETO / BLACK

ITEM	DESCRIPTION	MATERIAL	FINISH
444230	HOUSING, 2P., STD. P. T. RCPT.	PA 6.6	PRETO / BLACK

THIS DRAWING IS A CONTROLLED DOCUMENT. OWN: M. IONISHI 25JAN2005
 CHK: P. L. FARIA 22MAR2005
 APVD: E. G. OLIVEIRA 22MAR2005

STE TE Connectivity

NAME: HOUSING, ASSY, 2 POSN., STD. POWER TIMER REC.

SIZE: A1 CAGE CODE: 444230 DRAWING NO: 444230

SCALE: 3:1 SHEET 1 OF 1 REV: G2