



Connectors > Automotive Connectors > Automotive Housings



Connector & Housing Type: **Housing for Female Terminals**

Connector System: **Wire-to-Board, Wire-to-Device**

Number of Positions: **64**

Sealable: **Yes**

Hybrid Connector: **No**

Features

Product Type Features

Connector Shape	Rectangular
Connector & Housing Type	Housing for Female Terminals
Connector System	Wire-to-Board, Wire-to-Device
Sealable	Yes
Hybrid Connector	No
Primary Locking Feature	Integrated in Housing

Configuration Features

Number of Positions	64
---------------------	----

Body Features

Cable Exit Angle	90°
Connector & Keying Code	1

Contact Features

Contact Size	.63mm, 1.5mm
--------------	--------------

Mechanical Attachment

Terminal Position Assurance	Yes
-----------------------------	-----



Strain Relief	Add By Accessory
---------------	------------------

Mating Alignment Type	Keyed
-----------------------	-------

Mating Alignment	With
------------------	------

Connector Mounting Type	Cable Mount (Free-Hanging)
-------------------------	----------------------------

Housing Features

Housing Material	PBT GF15
------------------	----------

Industry Standards

UL Flammability Rating	UL 94HB
------------------------	---------

Other

Serviceable	Yes
-------------	-----

Connector Position Assurance Capable	No
--------------------------------------	----

Product Compliance

[For compliance documentation, visit the product page on TE.com>](#)

EU RoHS Directive 2011/65/EU	Compliant
------------------------------	-----------

EU ELV Directive 2000/53/EC	Compliant
-----------------------------	-----------

China RoHS 2 Directive MIIT Order No 32, 2016	No Restricted Materials Above Threshold
---	---

EU REACH Regulation (EC) No. 1907/2006	Current ECHA Candidate List: JUNE 2023 (235) Candidate List Declared Against: JUL 2021 (219) Does not contain REACH SVHC
--	--

Halogen Content	Low Halogen - Br, Cl, F, I < 900 ppm per homogenous material. Also BFR/CFR/PVC Free
-----------------	---

Solder Process Capability	Not applicable for solder process capability
---------------------------	--

Product Compliance Disclaimer

This information is provided based on reasonable inquiry of our suppliers and represents our current actual knowledge based on the information they provided. This information is subject to change. The part numbers that TE has identified as EU RoHS compliant have a maximum concentration of 0.1% by weight in homogenous materials for lead, hexavalent chromium, mercury, PBB, PBDE, DBP, BBP, DEHP, DIBP, and 0.01% for cadmium, or qualify for an exemption to these limits as defined in the Annexes of Directive 2011/65/EU (RoHS2). Finished electrical and electronic equipment products will be CE marked as required by Directive 2011/65/EU. Components may not be CE marked. Additionally, the part numbers that TE has identified as EU ELV compliant have a maximum concentration of 0.1% by weight in homogenous materials for lead, hexavalent chromium, and mercury, and 0.01% for cadmium, or qualify for an exemption to these limits as defined in the Annexes of Directive 2000/53/EC (ELV). Regarding the REACH Regulation, the information TE provides on SVHC in articles for this part number is based on the latest European Chemicals Agency (ECHA) 'Guidance on requirements for substances in articles' posted at this URL: <https://echa.europa.eu/guidance-documents/guidance-on-reach>


Compatible Parts




TE Part # 1394871-1
MQS DICHTSTOPFEN



TE Part # CAT-A11-T273
1.5/2.8 CONNECTOR SYSTEM, RECPT AND TAB

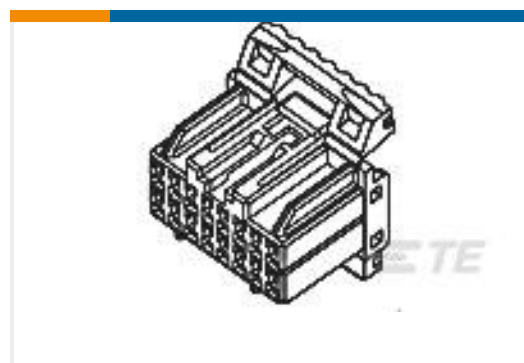


TE Part # 1670108-1
BLIND PLUG FEMALE 1.5



TE Part # 2050004-1
64P ECU PLUG CONNECTOR

Customers Also Bought



TE Part #368135-1
040/070 HYB 22P PLUG HSG



TE Part #1-2112502-1
38POS, MIXED,REC HSG,ASSY, SEALED



TE Part #2137489-1
48 POS MIXED REC HSG BK W/ COV



TE Part #2-368050-1
E-S MK-2(+) 16P CAP HSG



TE Part #2299988-1
65W PLUG COVER AND CPA ASSEMBLY




TE Part #2151082-2
OCEAN_2.0_APPLICATOR-S-046F057FA



TE Part #2050986-1
REM0.64 Terminal



TE Part #1-2299987-1
65W SEAL PLUG,CONN KIT



TE Part #2325415-1
40POS,ML .025,REC HSG ASSY,UNSLD



TE Part #5-1743109-3
AIR BAG 50P COVER ASSY S-GRN/RX

Documents

[CAD Files](#)

[3D PDF](#)

[3D](#)

[Customer View Model](#)

[ENG_CVM_CVM_2050036-1_A_c-2050036-1-a.2d_dxf.zip](#)

[English](#)

[Customer View Model](#)

2050036-1

Housing for Female Terminals, Wire-to-Board / Wire-to-Device, 64 Position, Sealable, Cable Mount (Free-Hanging), Key 1



[ENG_CVM_CVM_2050036-1_A_c-2050036-1-a.3d_igs.zip](#)

English

Customer View Model

[ENG_CVM_CVM_2050036-1_A_c-2050036-1-a.3d_stp.zip](#)

English

By downloading the CAD file I accept and agree to the [Terms and Conditions](#) of use.