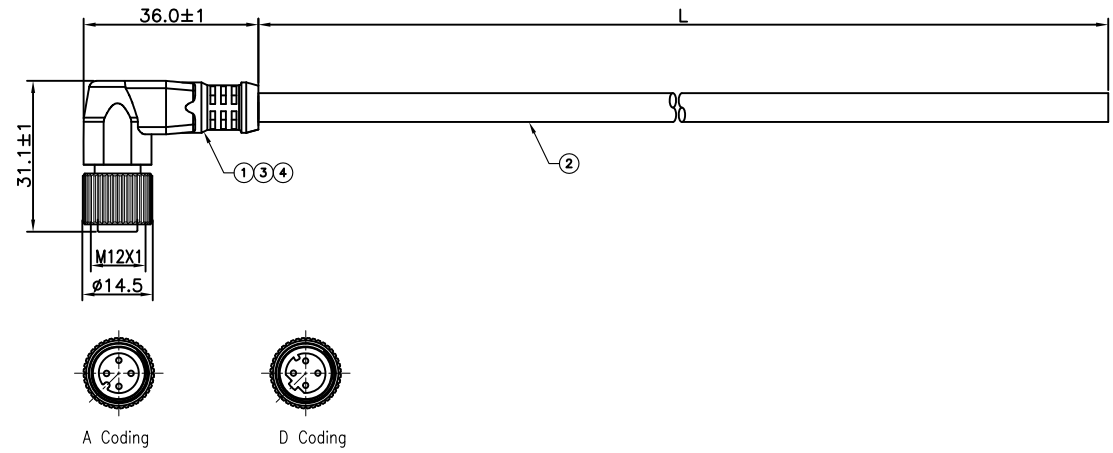
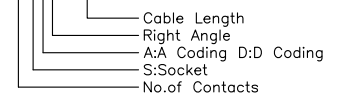


Pin	A Coding	D Coding	Part No.	Cable Length	Cable Gauge
2Pin			M12-02SXR0500	500±40	22AWG
			M12-02SXR1000	1000±40	
			M12-02SXR1500	1500±40	
			M12-02SXR3000	3000±60	
3Pin			M12-03SXR0500	500±40	22AWG
			M12-03SXR1000	1000±40	
			M12-03SXR1500	1500±40	
			M12-03SXR3000	3000±60	
4Pin			M12-04SXR0500	500±40	22AWG
			M12-04SXR1000	1000±40	
			M12-04SXR1500	1500±40	
			M12-04SXR3000	3000±60	
5Pin			M12-05SXR0500	500±40	22AWG
			M12-05SXR1000	1000±40	
			M12-05SXR1500	1500±40	
			M12-05SXR3000	3000±60	
6Pin			M12-06SARD0500	500±40	24AWG
			M12-06SARD1000	1000±40	
			M12-06SARD1500	1500±40	
			M12-06SARD3000	3000±60	
7Pin			M12-07SARD0500	500±40	24AWG
			M12-07SARD1000	1000±40	
			M12-07SARD1500	1500±40	
			M12-07SARD3000	3000±60	
8Pin			M12-08SARD0500	500±40	24AWG
			M12-08SARD1000	1000±40	
			M12-08SARD1500	1500±40	
			M12-08SARD3000	3000±60	
9Pin			M12-09SARD0500	500±40	26AWG
			M12-09SARD1000	1000±40	
			M12-09SARD1500	1500±40	
			M12-09SARD3000	3000±60	
10Pin			M12-10SARD0500	500±40	26AWG
			M12-10SARD1000	1000±40	
			M12-10SARD1500	1500±40	
			M12-10SARD3000	3000±60	
11Pin			M12-11SARD0500	500±40	26AWG
			M12-11SARD1000	1000±40	
			M12-11SARD1500	1500±40	
			M12-11SARD3000	3000±60	
12Pin			M12-12SARD0500	500±40	26AWG
			M12-12SARD1000	1000±40	
			M12-12SARD1500	1500±40	
			M12-12SARD3000	3000±60	

RoHS Compliant



Specifications:
 Standard: IEC 61076-2-101
 Current Rating: 4A(2~5P); 2A(6~8P); 1.5A(9~12P)AC/DC
 Voltage Rating: 250V(2~4P); 60V(5P); 30V(6~12P)AC/DC
 Contact Resistance: 5ohm Max.
 Insulation Resistance: 10M ohm Min., DC 450V
 Operating Temperature: -40°C~80°C
 IP Rating: IP67 in Locked Condition
 M12-XXSXR0XXXX



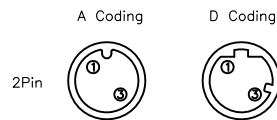
ITEM	PART NO.	DESCRIPTION	Q'TY
1	M12-XXS-A/D-MM	M12 SOCKET SOLDER TYPE	1
2	Cable	UL20549 XXC TPU JACKET HALOGEN FREE COLOR:BLACK	A/R
3	827-TPU-BK	TPU OUTER MOLDING COLOR:BLACK	A/R
4	827-PVC-35P-BK	PVC INNER MOLDING COLOR:BLACK	A/R

F			
E			
D			
C			
B			
A	30-Jun-2022		Andrew
REV	DATE	FILE	BY

DRAWN: Andrew	GENERAL TOLERANCE:	
	.X=±0.50	.XX=±0.30
CHECKED: Bill He	UNIT: MM	DESCRIPTION:
	SCALE: 1:1	M12 SOCKET OVER-MOULDING CABLES R/A TYPE
APPROVAL: Bill He	SHEET: 1/3	PART NO:
	PROJECTION:	M12-XXSXR0XXXX

ON-SHORE TECHNOLOGY, INC.

A
B
C
D



2P PIN OUT:

P1	_____
1	Black
3	Red

ITEM	PART NO.	DESCRIPTION	Q'TY
1	M12-02S-A/D-MM	M12 2PIN SOCKET SOLDER TYPE	1
2	810D-22W2CWXXHFBK	UL20549 22AWGX2C TPU JACKET HALOGEN FREE OD:XX COLOR:BLACK	A/R
3	827-TPU-BK	TPU OUTER MOLDING COLOR:BLACK	A/R
4	827-PVC-35P-BK	PVC INNER MOLDING COLOR:BLACK	A/R



3P PIN OUT:

P1	_____
1	Black
3	Red
4	Yellow

ITEM	PART NO.	DESCRIPTION	Q'TY
1	M12-03S-A/D-MM	M12 3PIN SOCKET SOLDER TYPE	1
2	810D-22W3CW4.2HFBK	UL20549 22AWGX3C TPU JACKET HALOGEN FREE OD:4.2 COLOR:BLACK	A/R
3	827-TPU-BK	TPU OUTER MOLDING COLOR:BLACK	A/R
4	827-PVC-35P-BK	PVC INNER MOLDING COLOR:BLACK	A/R



4P PIN OUT:

P1	_____
1	Black
2	Brown
3	Blue
4	Green

ITEM	PART NO.	DESCRIPTION	Q'TY
1	M12-04S-A/D-MM	M12 4PIN SOCKET SOLDER TYPE	1
2	810D-22W4CW4.6HFBK	UL20549 22AWGX4C TPU JACKET HALOGEN FREE OD:4.6 COLOR:BLACK	A/R
3	827-TPU-BK	TPU OUTER MOLDING COLOR:BLACK	A/R
4	827-PVC-35P-BK	PVC INNER MOLDING COLOR:BLACK	A/R



5P PIN OUT:

P1	_____
1	Black
2	Red
3	Green
4	Yellow
5	White

ITEM	PART NO.	DESCRIPTION	Q'TY
1	M12-05S-A/D-MM	M12 5PIN SOCKET SOLDER TYPE	1
2	810D-22W5CW5.0HFBK	UL20549 22AWGX5C TPU JACKET HALOGEN FREE OD:5.0 COLOR:BLACK	A/R
3	827-TPU-BK	TPU OUTER MOLDING COLOR:BLACK	A/R
4	827-PVC-35P-BK	PVC INNER MOLDING COLOR:BLACK	A/R



6P PIN OUT:

P1	_____
1	Black
2	Brown
3	Red
4	Yellow
5	Green
6	Blue

ITEM	PART NO.	DESCRIPTION	Q'TY
1	M12-06S-A-MM	M12 6PIN SOCKET SOLDER TYPE	1
2	810D-24W6CW5.0HFBK	UL20549 24AWGX6C TPU JACKET HALOGEN FREE OD:5.0 COLOR:BLACK	A/R
3	827-TPU-BK	TPU OUTER MOLDING COLOR:BLACK	A/R
4	827-PVC-35P-BK	PVC INNER MOLDING COLOR:BLACK	A/R



7P PIN OUT:

P1	_____
1	Black
2	Brown
3	Red
4	Yellow
5	Green
6	Blue
7	Gray

ITEM	PART NO.	DESCRIPTION	Q'TY
1	M12-07S-A-MM	M12 7PIN SOCKET SOLDER TYPE	1
2	810D-24W7CWXXHFBK	UL20549 24AWGX7C TPU JACKET HALOGEN FREE OD:XX COLOR:BLACK	A/R
3	827-TPU-BK	TPU OUTER MOLDING COLOR:BLACK	A/R
4	827-PVC-35P-BK	PVC INNER MOLDING COLOR:BLACK	A/R



8P PIN OUT:

P1	_____
1	Black
2	Brown
3	Red
4	Yellow
5	Green
6	Blue
7	Gray
8	White

ITEM	PART NO.	DESCRIPTION	Q'TY
1	M12-08S-A-MM	M12 8PIN SOCKET SOLDER TYPE	1
2	810D-24W8CW5.4HFBK	UL20549 24AWGX8C TPU JACKET HALOGEN FREE OD:5.4 COLOR:BLACK	A/R
3	827-TPU-BK	TPU OUTER MOLDING COLOR:BLACK	A/R
4	827-PVC-35P-BK	PVC INNER MOLDING COLOR:BLACK	A/R

F				
E				
D				
C				
B				
A	30-Jun-2022		Andrew	
REV	DATE	FILE	BY	

DRAWN:	Andrew
CHECKED:	Bill He
APPROVAL:	Bill He

GENERAL TOLERANCE:	.X=±0.50 .XX=±0.30
UNIT:	MM
SCALE:	1:1
SHEET:	2/3
PROJECTION:	

OST
ON-SHORE TECHNOLOGY, INC.

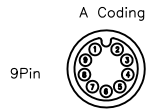
DESCRIPTION:
M12 SOCKET OVER-MOULDING CABLES R/A TYPE

PART NO:
M12-XXSXRDXXXX

A

B

D



9P PIN OUT:

P1	
1	Black
2	Brown
3	Red
4	Orange
5	Yellow
6	Green
7	Blue
8	Purple
9	Gray

ITEM	PART NO.	DESCRIPTION	Q'TY
1	M12-09S-A-MM	M12 9PIN SOCKET SOLDER TYPE	1
2	810D-26W9CWXXHFBK	UL20549 26AWGX9C TPU JACKET HALOGEN FREE OD:XX COLOR:BLACK	A/R
3	827-TPU-BK	TPU OUTER MOLDING COLOR:BLACK	A/R
4	827-PVC-35P-BK	PVC INNER MOLDING COLOR:BLACK	A/R



10P PIN OUT:

P1	
1	Black
2	Brown
3	Red
4	Orange
5	Yellow
6	Green
7	Blue
8	Purple
9	Gray
10	White

ITEM	PART NO.	DESCRIPTION	Q'TY
1	M12-10S-A-MM	M12 10PIN SOCKET SOLDER TYPE	1
2	810D-26W10CWXXHFBK	UL20549 26AWGX10C TPU JACKET HALOGEN FREE OD:XX COLOR:BLACK	A/R
3	827-TPU-BK	TPU OUTER MOLDING COLOR:BLACK	A/R
4	827-PVC-35P-BK	PVC INNER MOLDING COLOR:BLACK	A/R



11P PIN OUT:

P1	
1	Black
2	Brown
3	Red
4	Orange
5	Yellow
6	Green
7	Blue
8	Purple
9	Gray
10	White
11	Pink


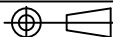
ITEM	PART NO.	DESCRIPTION	Q'TY
1	M12-11S-A-MM	M12 11PIN SOCKET SOLDER TYPE	1
2	810D-26W11CWXXHFBK	UL20549 26AWGX11C TPU JACKET HALOGEN FREE OD:XX COLOR:BLACK	A/R
3	827-TPU-BK	TPU OUTER MOLDING COLOR:BLACK	A/R
4	827-PVC-35P-BK	PVC INNER MOLDING COLOR:BLACK	A/R



12P PIN OUT:

P1	
1	Black
2	Brown
3	Red
4	Orange
5	Yellow
6	Green
7	Blue
8	Purple
9	Gray
10	White
11	Pink
12	Light green

ITEM	PART NO.	DESCRIPTION	Q'TY
1	M12-12S-A-MM	M12 12PIN SOCKET SOLDER TYPE	1
2	810D-26W12CW5.8HFBK	UL20549 26AWGX12C TPU JACKET HALOGEN FREE OD:5.8 COLOR:BLACK	A/R
3	827-TPU-BK	TPU OUTER MOLDING COLOR:BLACK	A/R
4	827-PVC-35P-BK	PVC INNER MOLDING COLOR:BLACK	A/R

F				DRAWN: Andrew	GENERAL TOLERANCE: .X=±0.50 .XX=±0.30	 ON-SHORE TECHNOLOGY, INC.
E						
D				CHECKED: Bill He	UNIT: MM	DESCRIPTION: M12 SOCKET OVER-MOULDING CABLES R/A TYPE
C					SCALE: 1:1	
B				APPROVAL: Bill He	SHEET: 3/3	PART NO: M12-XXSXRDXXXX
A	30-Jun-2022		Andrew		PROJECTION: 	
REV	DATE	FILE	BY			