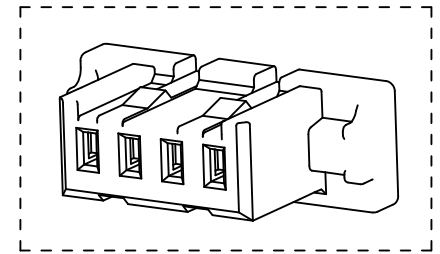
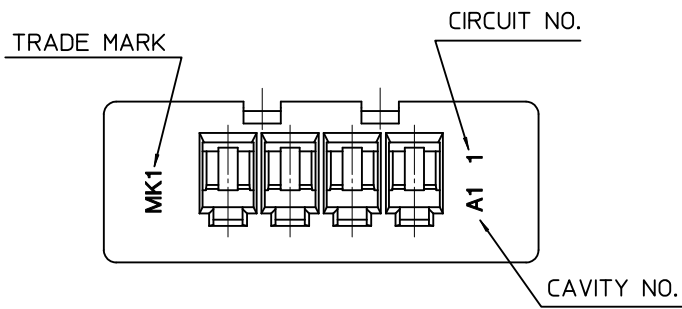
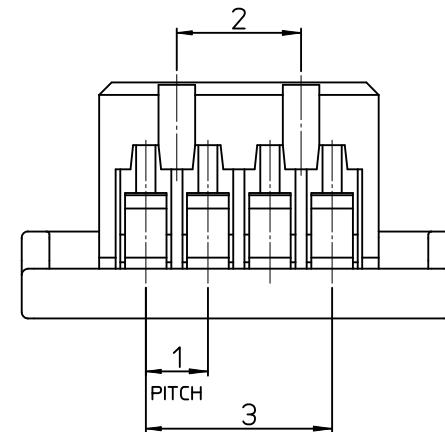
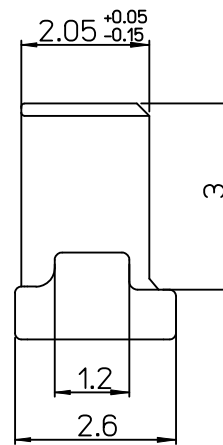
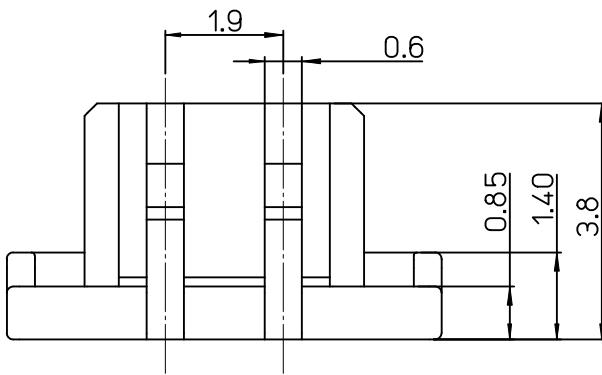


MATED CONDITION
[REFERENCE]



NOTES.

1. MATED WITH : 104127-0410
2. MATERIAL:
LCP E130i, GLASS FILLED, UL94V-0
HALOGEN FREE, COLOR OF NATURAL
3. APPLICABLE TERMINAL : 104539-8002



PRELIMINARY	EC NO: KOR2012-0009	2011/07/21	QUALITY SYMBOLS
	DRWN: JHPARK01	2011/07/21	
A	CHKD: SH. CHU	2011/07/21	DESCRIPTION
	APPR: YUNSIKKIM	2011/09/21	

GENERAL TOLERANCES (UNLESS SPECIFIED)	
mm	INCH
4 PLACES ± ---	± ---
3 PLACES ± ---	± ---
2 PLACES ± 0.15	± ---
1 PLACE ± 0.20	± ---
ANGULAR ± 1°	
DRAFT WHERE APPLICABLE MUST REMAIN WITHIN DIMENSIONS	

DIMENSION STYLE	
MM ONLY	
DRAWN BY	DATE
JHPARK01	2011/07/21
CHECKED BY	DATE
SH. CHU	2011/07/21
APPROVED BY	DATE
YUNSIKKIM	2011/09/21
MATERIAL NO.	
1041280400	

ORDER NO	104128-0400
DESIGN UNITS	METRIC
THIRD ANGLE PROJECTION	
TITLE	
1.0MM WTB CONN. HOUSING-4P	
MOLEX INCORPORATED	
DOCUMENT NO.	SD-104128-001
SHEET NO.	1 OF 01