

# PART NUMBER CODING

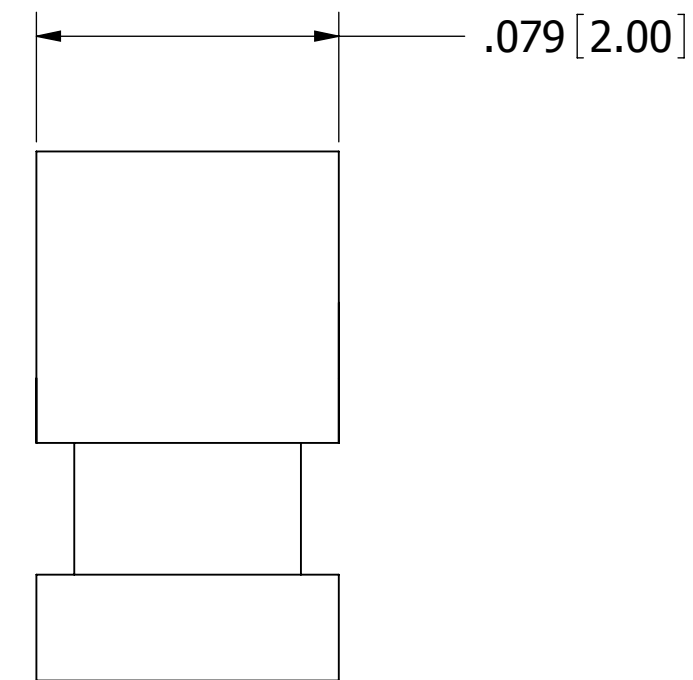
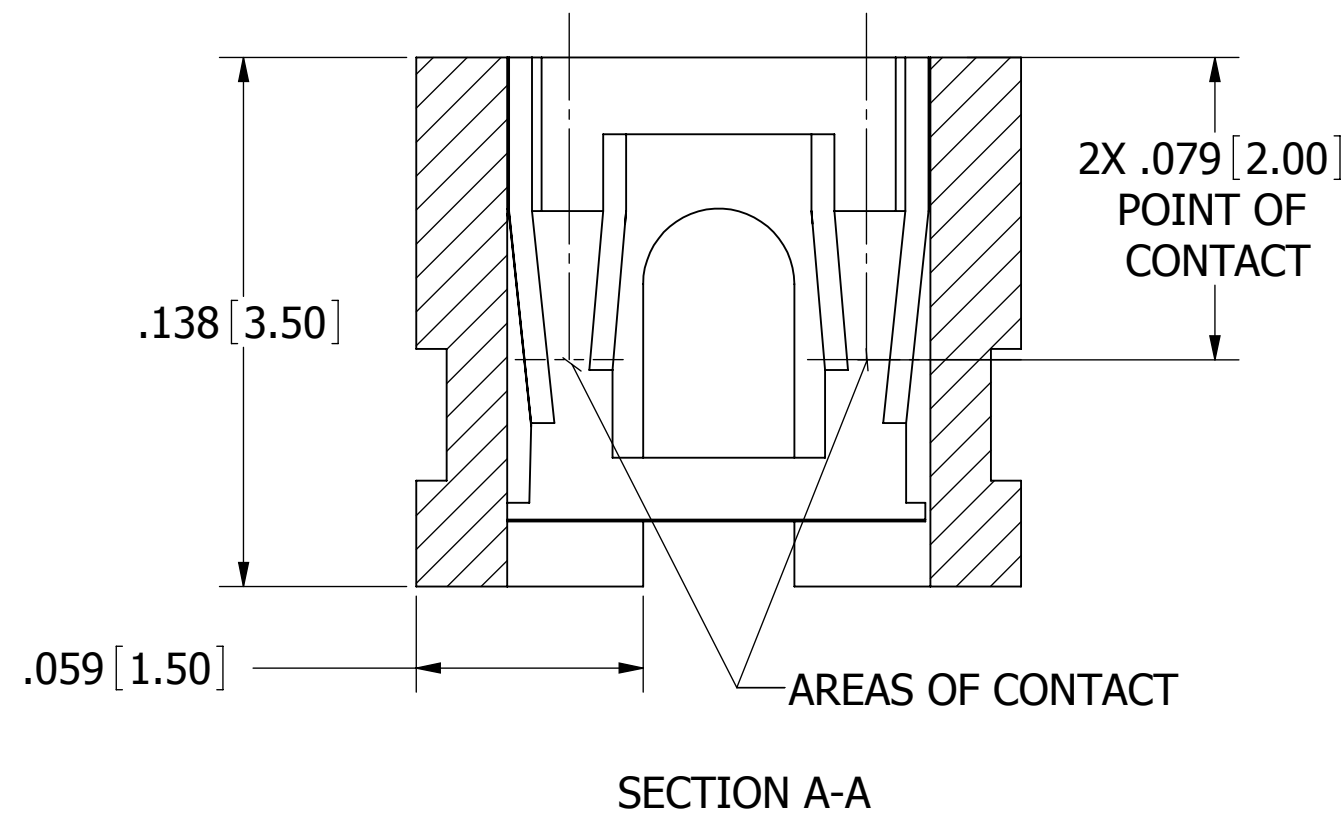
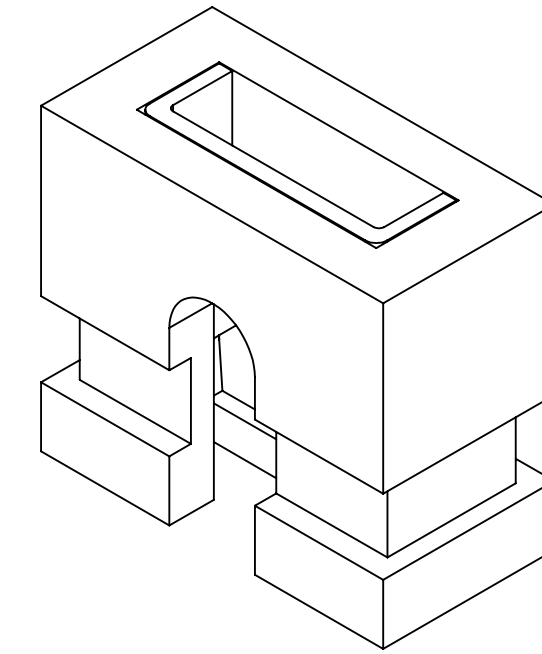
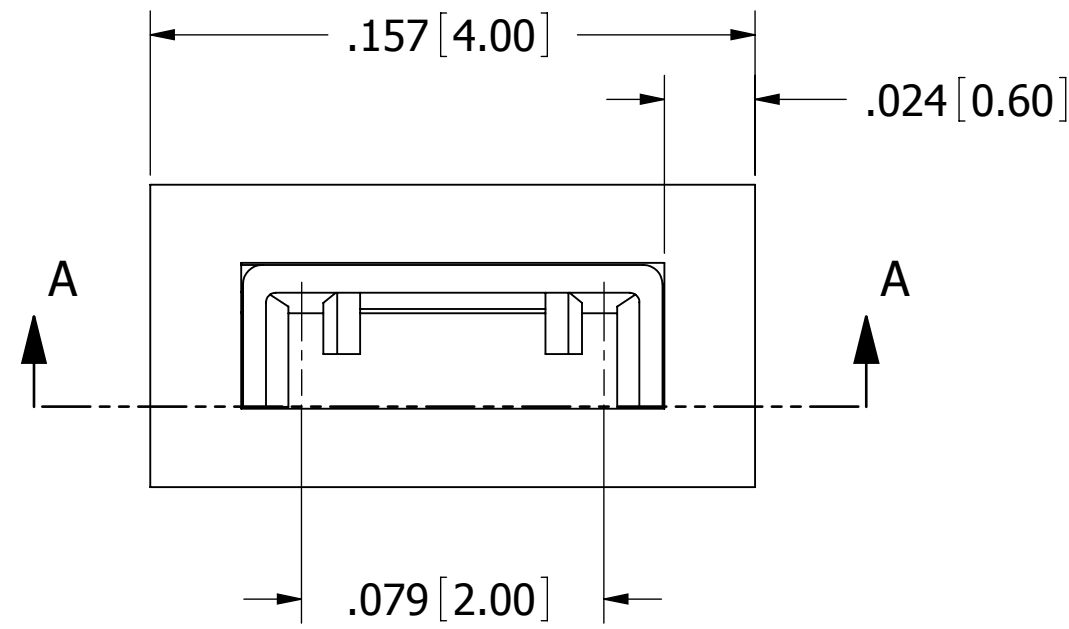
## S\_N02SYBN-RC

### PLATING

P = GOLD FLASH, NICKEL UNDERPLATE OVERALL.

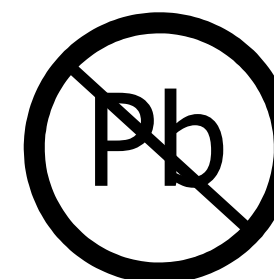
T = PURE TIN, COPPER UNDERPLATE OVERALL.

REVISIONS				
REV.	ECO. NO	DESCRIPTION	DATE	BY
B	946	UPDATE OPERATING TEMPERATURE	03/01/06	YH
C	1340	UPDATE OVERALL DIM HEIGHT	04/19/07	YH
D	1764	UPDATE FORMAT, TOLERANCE, DEFINE CONTACT AREA	07/23/08	ASK
E	1903	UPDATE TOLERANCE BLOCK, SPECIFICATION 20 MILLI OHMS WAS 20 MEGA OHMS	1/23/09	JH



### NOTES:

- INSULATOR MATERIAL: PBT, BLACK
- CONTACT MATERIAL: PHOSPHOR BRONZE.
- PLATING: SEE PART NUMBER CODING.
- OPERATING TEMPERATURE: -55 °C TO +105 °C.
- OPERATING VOLTAGE: 250 VAC MAX.
- UL FLAMMABILITY RATING: 94V-0.
- DIELECTRIC WITHSTANDING VOLTAGE: 1000 VAC FOR 1 MINUTE.
- CURRENT RATING: 1 AMP PER CONTACT.
- CONTACT RESISTANCE: 20 MILLI OHMS MAX.
- INSULATION RESISTANCE: 5000 MEGA OHMS.



RoHS COMPLIANT

UNLESS OTHERWISE SPECIFIED:  
 DIMENSIONS ARE IN INCHES[MM]  
 TOLERANCES:  
 ANGULAR: ± 30°  
 .XX= ± .012 [.30]  
 .XXX= ± .008 [.20]  
 .XXXX= ± .004 [.10]

INTERPRET DIMENSIONS AND GEOMETRIC TOLERANCING PER: ANSI Y14.5M-1994

DRAWN		DATE	NAME	
YH		10/21/05	YH	
<small>THE INFORMATION HEREIN CONTAINS PROPRIETARY INFORMATION OF SULLINS ELECTRONICS AND IS NOT TO BE REPRODUCED, USED OR DISCLOSED TO OTHERS FOR ANY PURPOSE EXCEPT AS SPECIFICALLY AUTHORIZED IN WRITING BY AN OFFICER OF SULLINS ELECTRONICS.</small>				
DESCRIPTION				
MINI SHUNT, OPEN TOP				
PART NUMBER				
S_N02SYBN-RC				
SIZE	DWG. NO.	REV		
C	10631	E		
SCALE: 32:1			SHEET 1 OF 1	