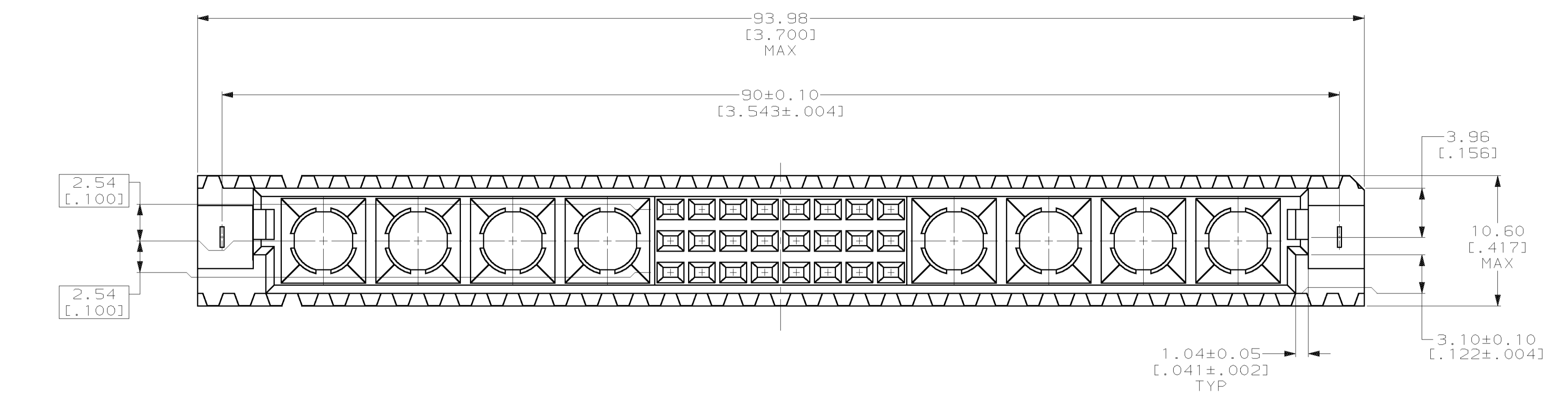
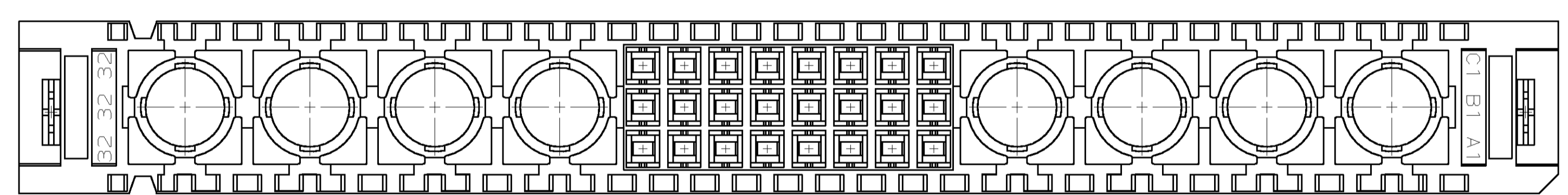
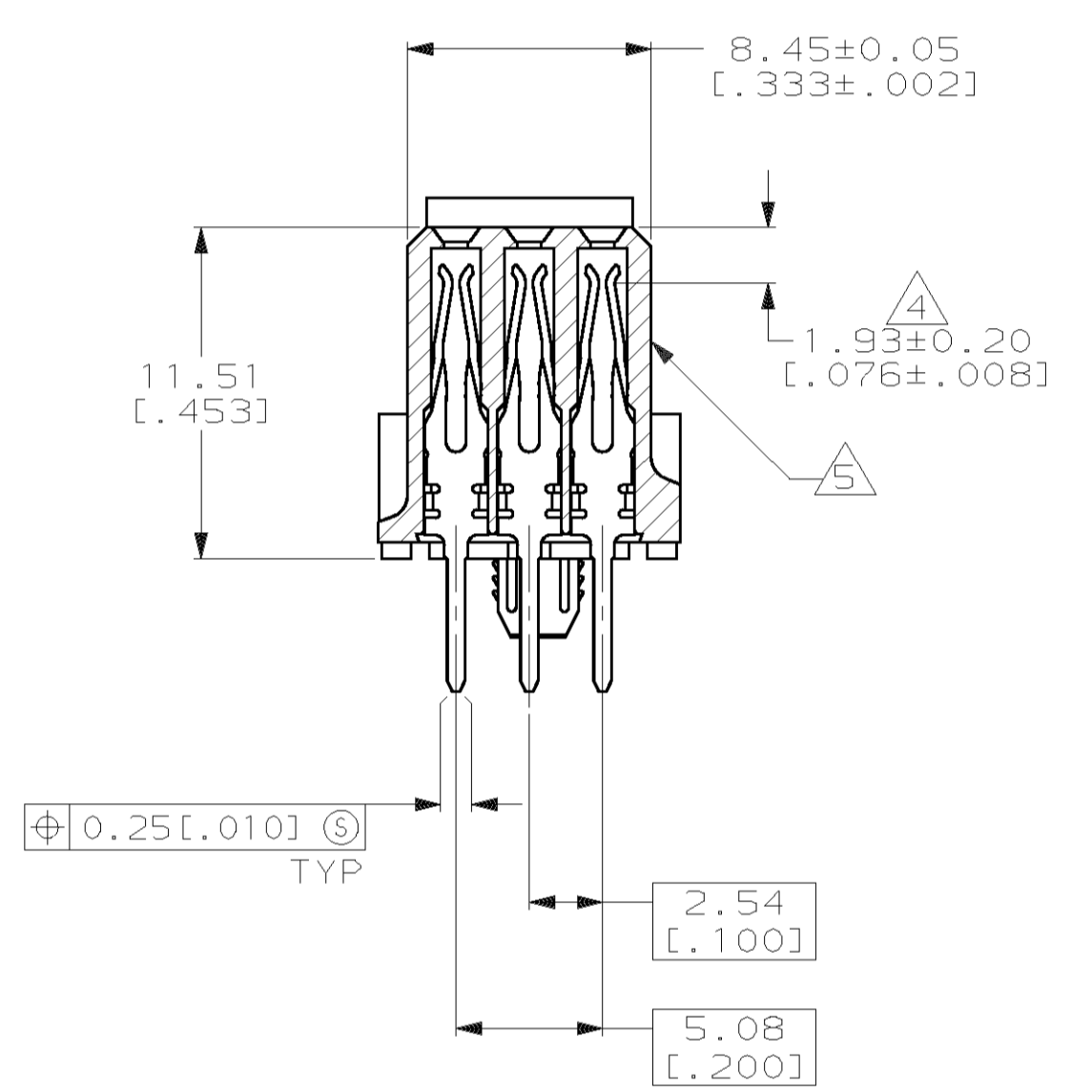
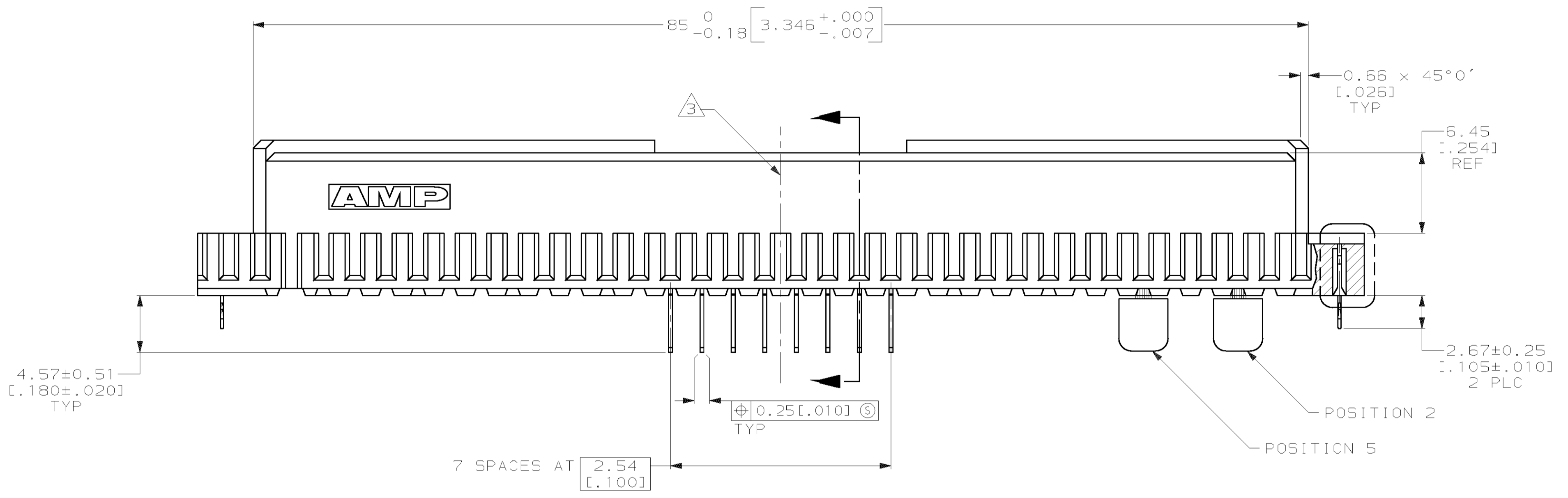


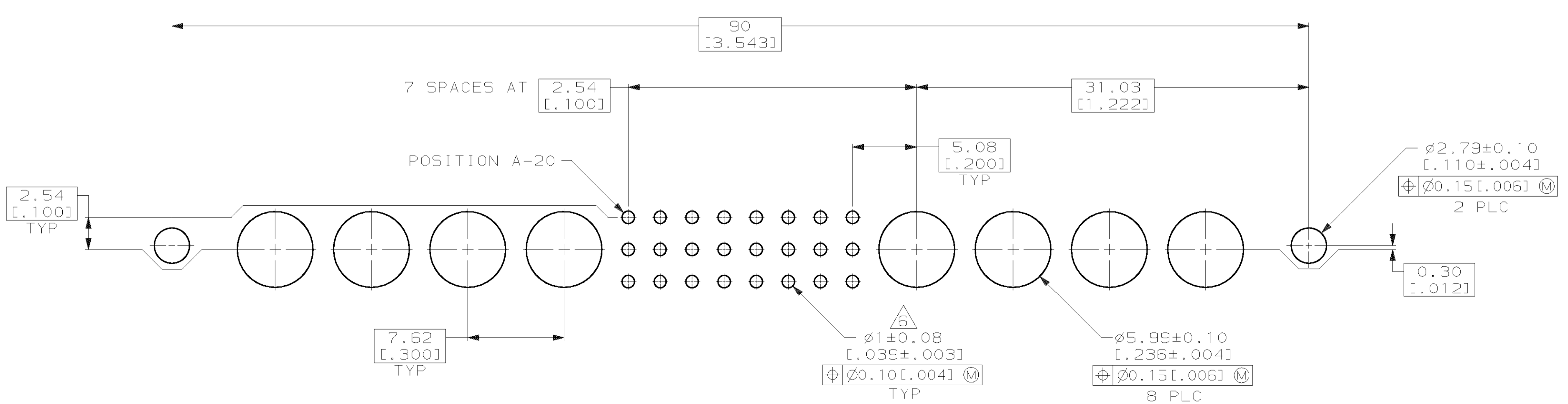
LOC		DIST		REVISIONS			
AD	25	F	LYR	DESCRIPTION	DATE	OWN	APVD
		A		RELEASED -1 PER EC 0U1B-0388-00	20 DEC 00	-	-
		B		REV PER 0U1B-0187-01	07/27/01	MM	CR



- ① HOUSING: GLASS-FILLED POLYESTER, GRAY.  
 SIGNAL CONTACT: PHOSPHOR BRONZE.  
 POWER CONTACT: BERYLLIUM COPPER.
- ② SIGNAL CONTACT: DIN 41612, CLASS 2 IN CONTACT AREA,  
 TIN-LEAD ON TAILS.  
 POWER CONTACT: 0.76µm [.000030] MIN GOLD.
- ③ PART NUMBER, DATE CODE IDENTIFICATION, CSA LOGO IN  
 THIS APPROXIMATE AREA.
- ④ CONTACT POINT.
- ⑤ HOT STAMPING ON THIS SIDE.
- ⑥ RECOMMENDED HOLE SIZE FOR MANUAL APPLICATION OF  
 CONNECTOR ONTO PC BOARD.



2,5	B	2	148584-1
POSITIONS LOADED	ROWS	NO OF POWER CONTACTS LOADED	PART NUMBER
13-20	C	8	148584-1
13-20	B	8	
13-20	A	8	
POSITIONS LOADED	ROWS	NO OF SIGNAL CONTACTS LOADED	PART NUMBER



PC BOARD LAYOUT

THIS DRAWING IS A CONTROLLED DOCUMENT. DWG: B. CARBO 20 DEC 00  
 CHK: C. RICHARD 20 DEC 00  
 APVD: C. RICHARD 20 DEC 00  
 NAME: RECEPTACLE ASSEMBLY, EUROCARD, TYPE M, 24+8 POSITION, W/ SELECT LOAD POWER CONTACTS & BOARDLOCKS  
 SIZE: A1 00779  
 SCALE: 4:1 SHEET 1 OF 1 REV B