

# Lighting Controls

DATE: \_\_\_\_\_ LOCATION: \_\_\_\_\_

TYPE: \_\_\_\_\_ PROJECT: \_\_\_\_\_

CATALOG #: \_\_\_\_\_

## LIGHTHAWK® LHL SERIES WALL SWITCH SENSOR

WALL SWITCH OCCUPANCY SENSORS

tradeSELECT®

### FEATURES

- Digital passive infrared (PIR) sensor
- Single relay models for ON/OFF switching
- Occupancy (auto-on) and Vacancy (manual-ON) operating modes
- 1,000 square-foot, 180° coverage area
- RhinoTuff™ vandal resistant lens
- 120/277VAC models



### SPECIFICATIONS

#### CONSTRUCTION

- Casing - High-impact, injection-molded plastic (UL-94-5V Impact-resistance lens)
- Color-coded leads are 6" (152.4mm) long
- Wrap around galvanized steel mounting strap
- 5.12 oz. (145.15g)
- White; Ivory
- Dual-element pyrometer and 12-element cylindrical RhinoTuff™ lens

#### MOUNTING

- Single-gang NEMA-style switch box (standard switch box)
- Decorator-style wall plate sold separately

#### ELECTRICAL

- Natural light override range: 10-500 foot-candles

#### ELECTRICAL (CONTINUED)

- 120/277VAC; 50/60Hz
- 120VAC: 800W Incandescent/ Electronic Ballast/ LED Driver; 1,000W Magentic Ballast; 1/8 HP Motor
- 277VAC: 1,800W Magnetic Ballast/ Electronic Ballast/ LED Driver; 1/8 HP Motor

#### OPERATIONS

- Coverage
  - 1,000 square-foot, 180° coverage area
- Timer Settings
  - Fixed mode: 4, 8, 16, and 20 minutes
  - Test mode: 5 seconds

#### OPERATING ENVIRONMENT

- Indoor use only
- Operating temperature: 32° to 104°F (0° to 40°C)
- Relative humidity (non-condensing): 0% to 95%

#### CERTIFICATIONS

- Listed UL and cUL

#### WARRANTY

- 5 year warranty

### ORDERING GUIDE

Example: LHL-IRS1-G-WH

CATALOG #

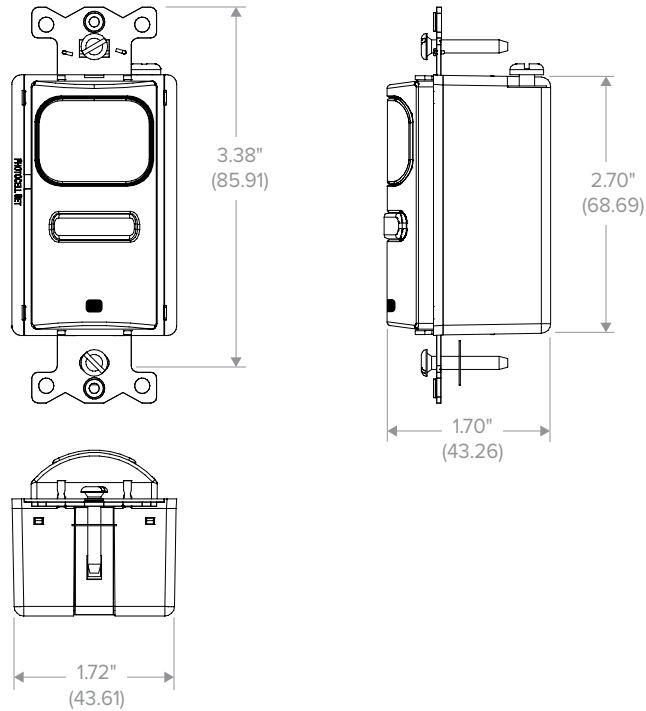
Series	Buttons	Wiring	Color	Mode
LHL-IRS	1 1	G Ground (120/277V)	WH White IV Ivory	Blank Switchable Vacancy or Occupancy Mode

# Lighting Controls

## LIGHTHAWK® LHL SERIES WALL SWITCH SENSOR

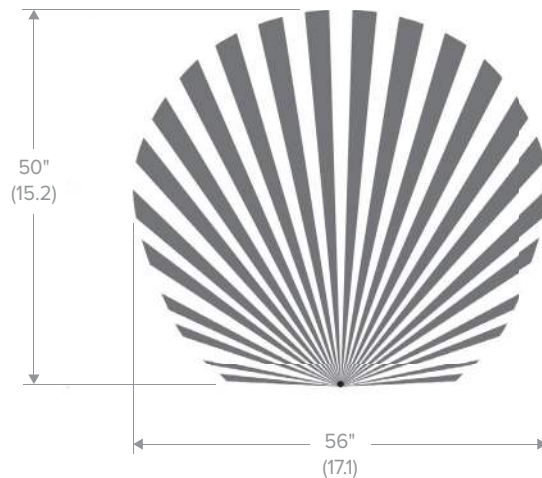
WALL SWITCH OCCUPANCY SENSORS

### DIMENSIONS



### ADDITIONAL INFORMATION

#### COVERAGE PATTERN



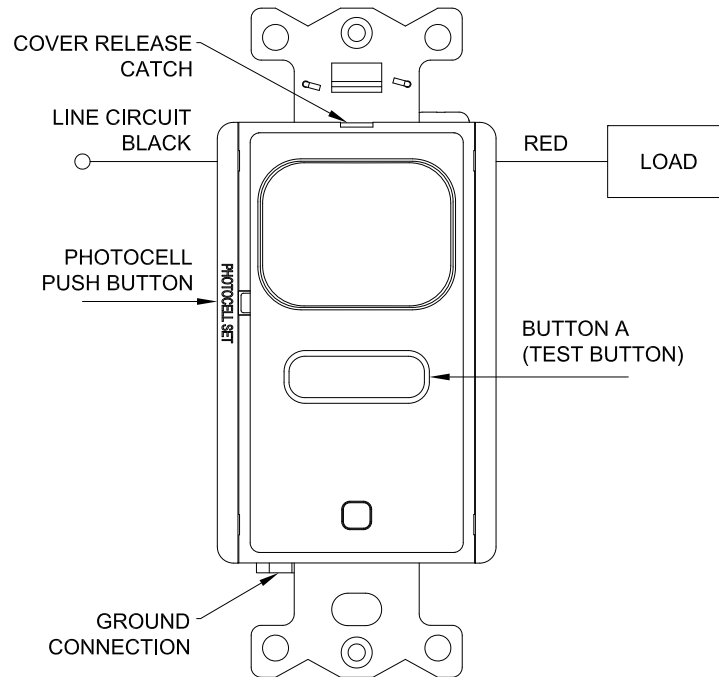
# Lighting Controls

## LIGHTHAWK® LHL SERIES WALL SWITCH SENSOR

WALL SWITCH OCCUPANCY SENSORS

### ADDITIONAL INFORMATION (CONTINUED)

#### WIRING DIAGRAM



**SINGLE LOAD WIRING**