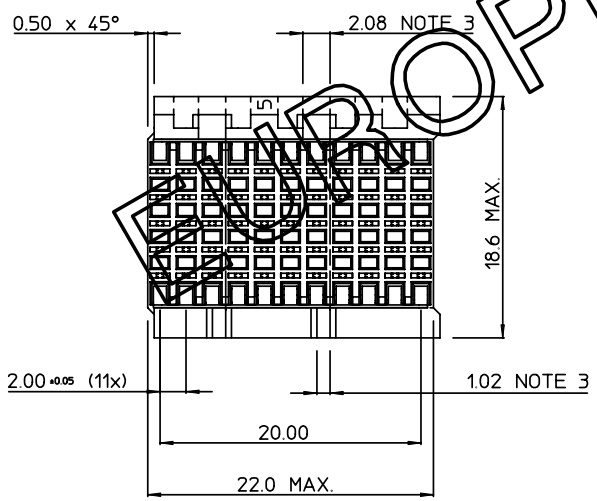
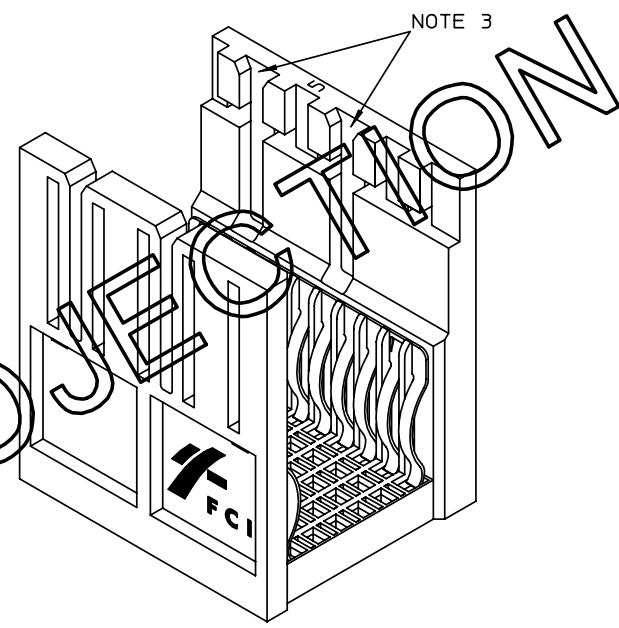
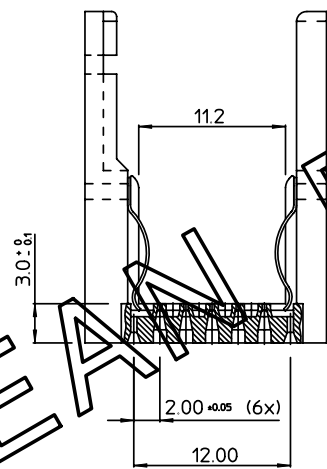
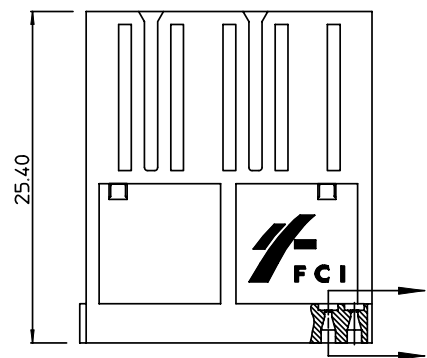
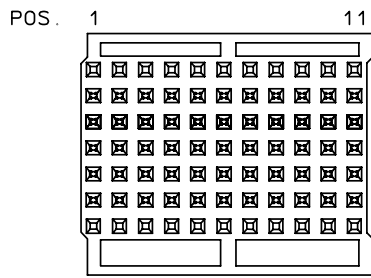


REV.	DATE	DESCRIPTION	BY	C'K'D'
A	2003-01-21	CONVERSION REVISION OF	KN	
B	2006-08-03	106-0119	VIVEK	BKP



PART NR.	KEYED SLOT POS.
HM2K00P16	NO KEYED SLOTS
HM2K31P16	3 & 7

NOTES :

- MATERIAL : HOUSING : GLASSREINFORCED POLYESTER UL94-V0
SPRING CONTACTS : COPPER ALLOY
- PLATING : 2.5 - 6.4 μ SnPb (90/10) OVER 1.2 - 3.8 μ Ni.
- LOCATIONS OF SLOTS SEE TABLE ABOVE. AS EXAMPLE THE SHROUD TYPE HM2K31P16 IS DRAWN WITH DISCRIMINATION - POLARISATION SLOTS IN POSITIONS 3 AND 7.

1DEC ±0,2 2DEC ±0,1 ANGLES ±1°	APPR.	DATE	SIGN.	MRV SHROUDS 22 MM FOR SCHLUMBERGER / SHIELDED	
	DRAFT	1995-09-07	G.Droesbeke	CAT. No. HM2K--P16	
WE RESERVE THE RIGHT TO CHANGE DIMENSIONS OR REQUIREMENTS WITHOUT PRIOR NOTICE.	CHECKED			www.fciconnect.com	
	PROD. MGR.				SCALE
	PR. ENG. MGR.				2.5/1
ALL DIMENSIONS IN MM	PR. MGT. MGR.			REFERENCES	

THIS IS OUR EXCLUSIVE PROPERTY. IT IS NOT TO BE COPIED, REPRINTED OR DISCLOSED TO A THIRD PARTY, NOR USED FOR MANUFACTURING WITHOUT OUR WRITTEN CONSENT, AND HAS TO BE RETURNED TO US IN CASE OF NO USAGE

DIT IS ONZE EIGENDOM EN MAG NOCH NAGEMAAKT, HERDRUKT, OVERGEMAAKT AAN DERDEN, NOCH VOOR FABRIKATIE GEBRUIKT WORDEN, ZONDER ONZE SCHRIFTELIJKE TOELATING. BIJ NIET GEBRUIK IS TERUGZENDING VERPLICHT.

