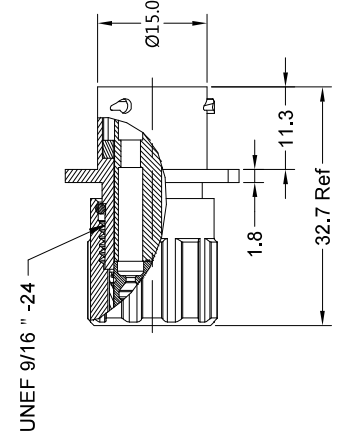
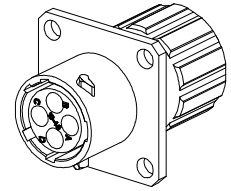
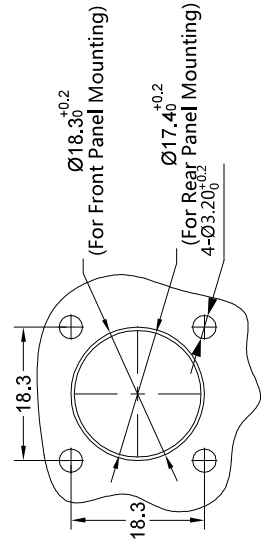
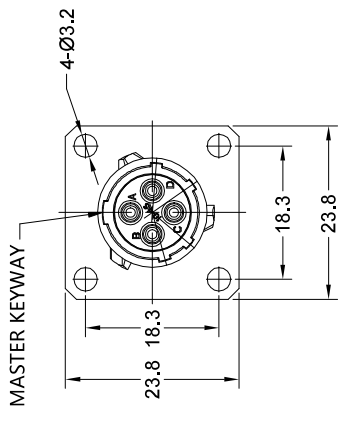
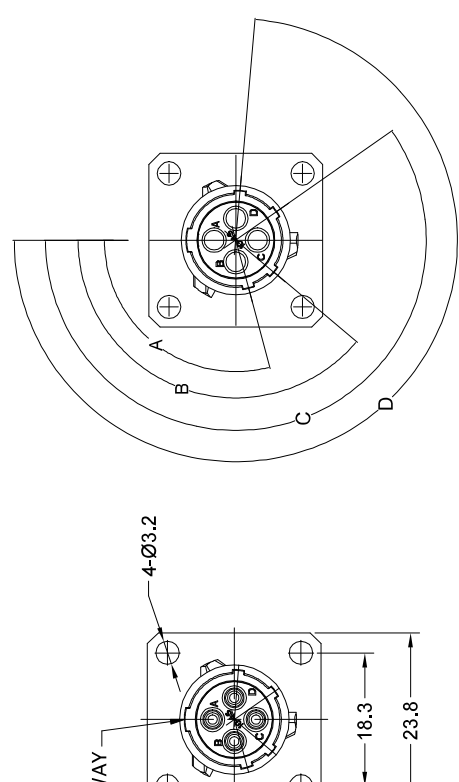


REV	ECO	DESCRIPTION	DATE	BY	APPR
B1	-	RELEASED DRAWING	Nov-17-2014	Ben	Tommy
B2	-	VOLTAGE UPDATE AND ADD KEY ICON	Jun-17-2020	Flan	Tommy

REVISIONS



- NOTES : (UNLESS OTHERWISE SPECIFIED)
- MATERIAL :
 SHELL : ZINC ALLOY , NICKEL PLATED.
 INSERT : THERMOPLASTIC , UL94 V-0.
 END CAP : THERMOPLASTIC , UL94 V-0.
 PLASTIC BUSHING : THERMOPLASTIC , UL94 V-0.
 O-RING : NBR/SILICONE RUBBER.
 WIRE SEAL : SIICONE RUBBER.
 - SPECIFICATIONS :
 2.1 RATED CURRENT : 13A (MAX).
 2.2 RATED VOLTAGE : 500V (AC/DC) . B2
 2.3 OPERATING TEMPERATURE : SEE CHART.
 2.4 DIELECTRIC WITHSTANDING VOLTAGE : LESS THAN 2 MILLIAMPS CURRENT LEAKAGE@2000 VOLTS AC.
 2.5 INSULATION RESISTANCE : 5000 MEGOHMS MIN.
 2.6 IP -CLASS : IP67(MATED CONDITION).
 2.7 MATING CYCLES DURABILITY : 500 CYCLES MIN.
 2.8 RoHS COMPLIANT.
 - SUITABLE CONTACTS : 16# CONTACTS.
 - ALL DIMENSIONS ARE FOR REFERENCE USE ONLY.
 - CONTACT SIZE AND REAR SEAL WIRE RANGE :

KEY POS	PART NUMBER		A	B	C	D
	-40°C ~ 105°C	-40°C ~ 125°C				
N	RT00104SNHEC	RT00104SNHEC03	105°	140°	215°	265°
W	RT00104SWHEC	RT00104SWHEC03	45°	140°	215°	265°
X	RT00104SXHEC	RT00104SXHEC03	105°	160°	215°	265°
Y	RT00104SYHEC	RT00104SYHEC03	105°	140°	225°	265°
Z	RT00104SZHEC	RT00104SZHEC03	105°	140°	215°	295°

QUANTITY	SEE PART NUMBER CHART	PART NUMBER	DESCRIPTION	ITEM
MATERIALS LIST				
UNLESS OTHERWISE SPECIFIED				
1) All dimensions are in millimeters.				
2) Tolerances are as follows:				
3) Note reference =				
MATERIAL SPECIFICATIONS				
PROCESS SPECIFICATIONS				
NEXT ASSET				

CONTACT SIZE	MIN. INSUL O.D.	MAX. INSUL O.D.
16#	Ø2.0mm	Ø3.2mm

SIZE	TYPE	DWG NO.	SHEET	OF
B	C-	RT00104S*HEC*	1	1

Amphenol
 Sine Systems - www.amphenol-sine.com
 44724 Motley Drive
 Clinton Township, MI 48036

ECOMATE RM,RECEPTACLE
 SIZE 10,4POS,SOCKET,END CAP.