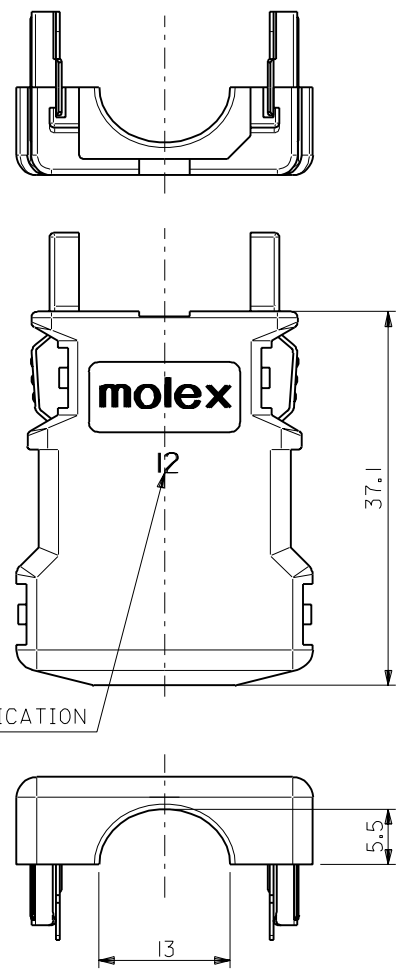
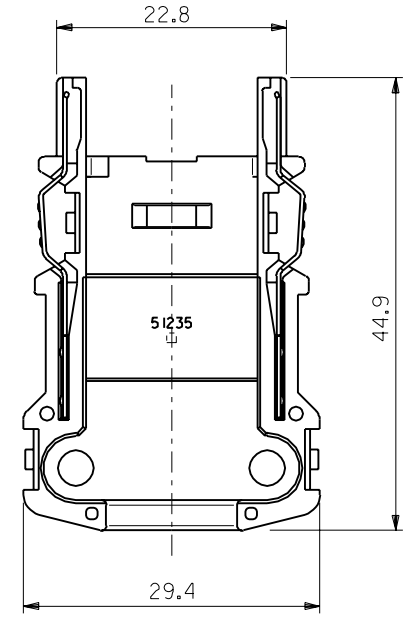
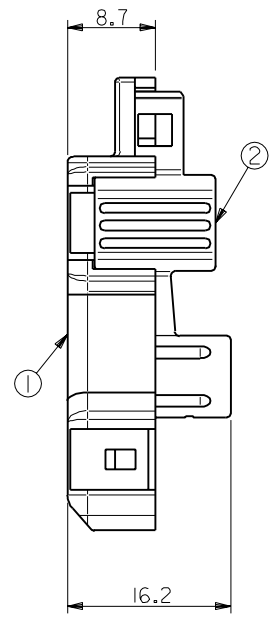


DWG. NO.  
SD-51235-007



SIZE IDENTIFICATION



注記  
NOTES

1. 材質  
MATERIAL  
① カバー A : ガラス入りポリカーボネイト樹脂  
COVER A : POLYCARBONATE G.F.  
UL 94V-0 色 : グレー  
UL 94V-0 COLOR : GRAY  
② スプリングラッチ : ステンレス鋼 t0.4  
SPRING LATCH : STAINLESS STEEL t0.4  
2. 適用プラグカバー B : 51236-1205  
APPLICABLE PLUG COVER B : 51236-1205

51235-1215	51235-***15
MATERIAL.NO	MODEL.NO
DIMENSIONS:	
<input type="checkbox"/> mm	<input type="checkbox"/> INCH
<input type="checkbox"/> mm	<input checked="" type="checkbox"/> mm ONLY
SHT	REV
REVISE ON	CAD ONLY

EC NO. DRWN: CHK: APPR:	EC NO. DRWN: CHK: APPR:	EC NO. DRWN: CHK: APPR:	REVISED 01/10/24 EC NO. J2002-0999 DRWN: K.SAKAMOTO CHK: J.MIYAZAWA APPR: YO.ITO	RELEASED 01/02/16 EC NO. JD2001-1040 DRWN: S.AKIYAMA CHK: J.MIYAZAWA APPR: H.IKESUGI
A				

MATERIAL 材料	注記参照 SEE NOTES
FINISH 仕上げ	—
WIRE RANGE 適用線径範囲	—
INS. RANGE 被覆外径	—

GENERAL TOLERANCES: (UNLESS SPECIFIED) 一般公差	SCALE 2-1	DESIGN UNITS <input checked="" type="checkbox"/> mm <input type="checkbox"/> INCH	THIRD ANGLE PROJECTION <input checked="" type="checkbox"/> THIRD ANGLE <input type="checkbox"/> FIRST ANGLE
10 UNDER 未満	±0.2	DRAWN BY & DATE S. Akiyama 01/01/25	TITLE:
10 OVER 30 UNDER 未満	±0.25	CHECKED BY & DATE J. Miyazawa / Y. Ito	COMPACT ROBOT CONN. (CRC) PLUG MOLD COVER A
30 OVER 以上	±0.3	APPROVED BY & DATE H. Ikesugi	MOLEX INCORPORATED
ANGLE 角度	±3°	CAD FILE NAME 51235007.S01	MATERIAL NO. SEE CHART

DRAWING NO. SD-51235-007			SHEET NO. 1 OF 1
THIS DRAWING CONTAINS INFORMATION THAT IS PROPRIETARY TO MOLEX INCORPORATED AND SHOULD NOT BE USED WITHOUT WRITTEN PERMISSION.			
SIZE B		EN-02J(097) MXJ-54	

DO NOT SCALE DRAWING