

6

5

4

3

2

1

Rev	AWO #	Description	Date	Appr
-		RELEASED	11/15/18	

APPROVED: \_\_\_\_\_

DATE: \_\_\_\_\_ TITLE: \_\_\_\_\_

CUSTOM CABLE ASSEMBLIES ARE NON-CANCELLABLE / NON-RETURNABLE

D

D

C

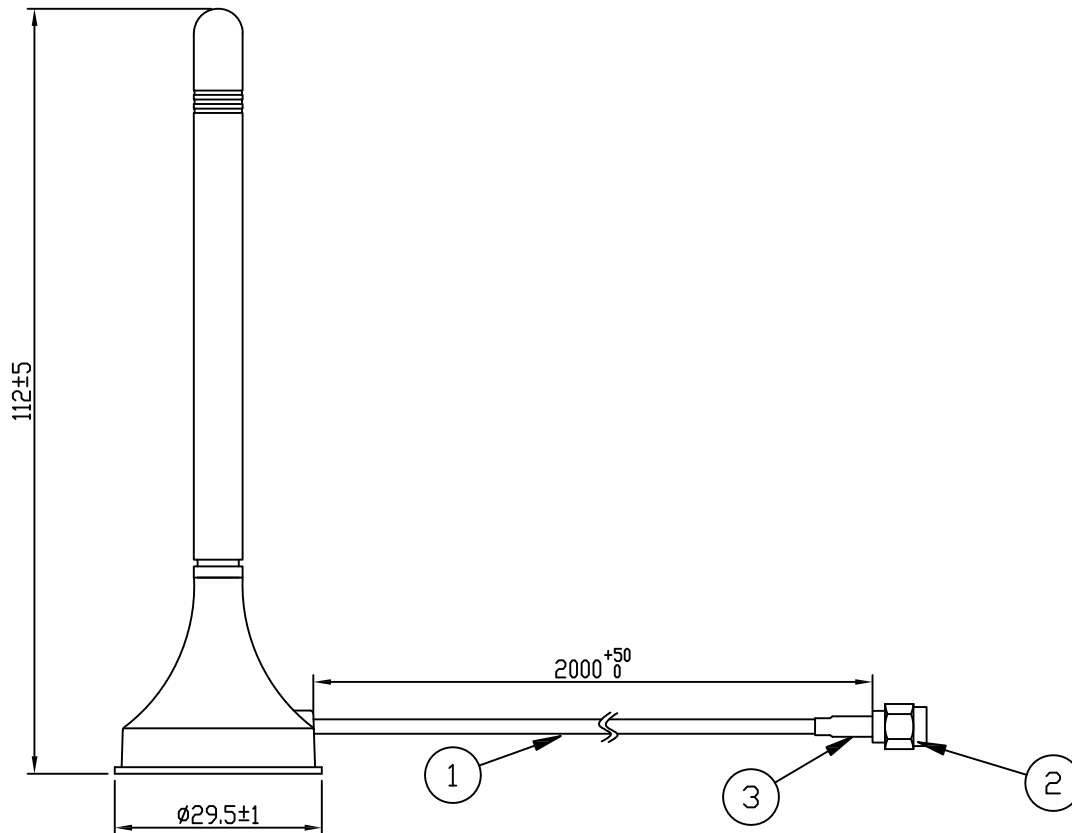
C

B

B

A

A



3	TUBE	HEAT SHRINK TUBE;POLYOLEFIN,BLACK
2	CONNECTOR	SMA ST. PLUG
1	CANLE	RG316 CABLE
ITEM	PART NAME	Material

### SPECIFICATION

#### ELECTICAL PROPERTIES

FREQUENCY RANGE: 704~960/1710~2690MHz

IMPEDANCE: 50Ω

VSWR: 1.92:1MAX

RETURN LOSS: -10dB MAX

RADIATION: OMNI-DIRECTIONAL

GAIN: 5.0dBi

POLARIZATION: VERTICAL

ADMITTED POWER: 20W

#### PHYSICAL PROPERTIES

ANTENNA COVER: TPE

ANTENNA BASE: PC

ANTENNA: PBT

COLOR: BLACK

CONNECTOR: SMA ST. PLUG

ORERATING TEMPERATURE: -40~+80

STORAGE TEMPERATURE: -45~+85

#### ENVIRONMENTAL:

LEAD FREE, ROHS COMPLIANT



UNLESS OTHERWISE SPECIFIED  
ALL DIMENSIONS ARE MILLIMETERS  
TOLERANCES: EXCEPT AS NOTED

MM  
X ± 0.25  
X.X ± 0.15  
X.XX ± 0.10

**ADAM**  
**TECH**  
INTERCONNECTS

909 Rahway Avenue,  
Union, NJ 07083  
Phone: 908-687-5000  
Fax: 908-687-5710

APPROVALS		DATE
DRAWN	AY	11/15/18
CHECKED	AC	11/15/18
APPROVED		

TITLE		
LTE EXTERNAL ANTENNA		
SIZE	PART NO.	REV.
X	ANT-DK-LTE1MD-GAPL52M	-
REF: S00291T	SCALE: NTS	SHEET 1 OF 1

6

5

4

3

2

1