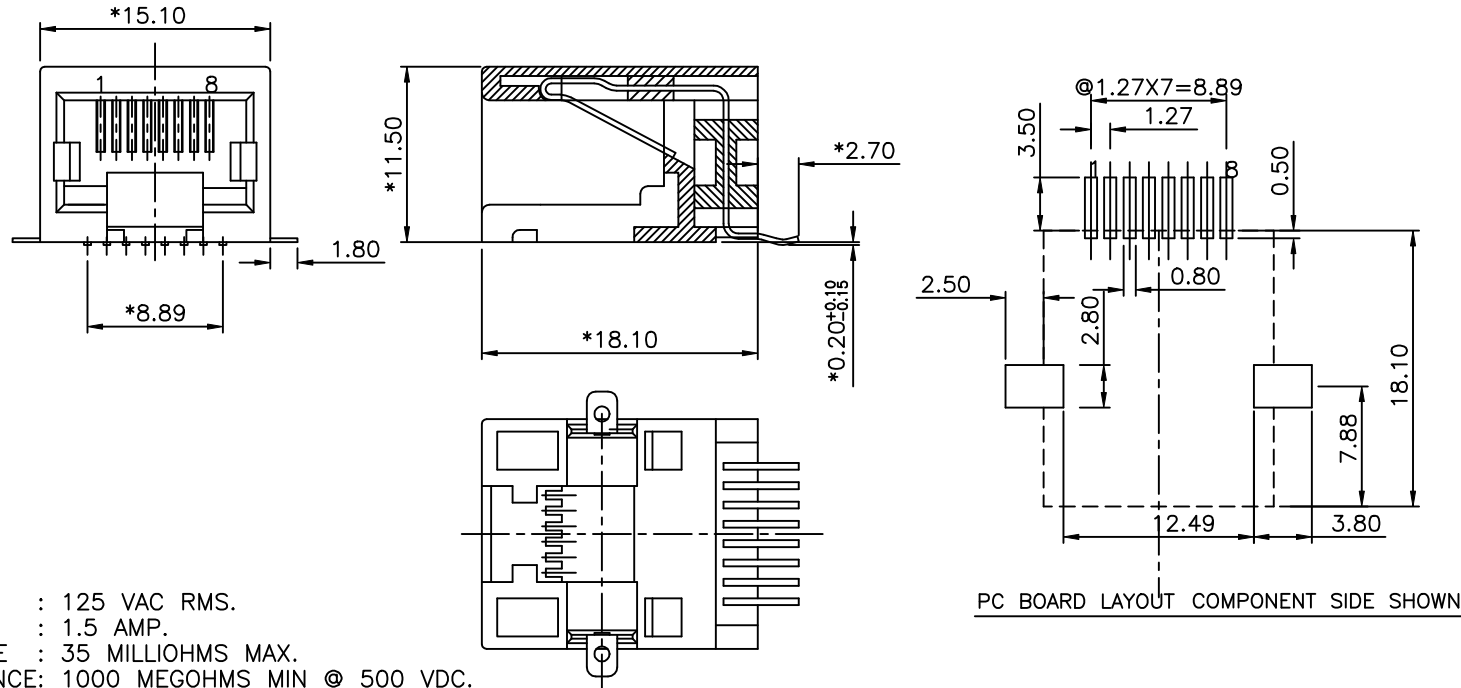


REVISION RECORD				
REV	ECO	DESCRIPTION	DRFT	CHKD
△		Drawing Modification	JAMMYN 1/19/06	



NOTES:

ELECTRICAL:

1. VOLTAGE RATING : 125 VAC RMS.
2. CURRENT RATING : 1.5 AMP.
3. CONTACT RESISTANCE : 35 MILLIOHMS MAX.
4. INSULATION RESISTANCE: 1000 MEGOHMS MIN @ 500 VDC.
5. DIELECTRIC STRENGTH : 1000 VAC RMS 60Hz, 1MIN.

MECHANICAL:

1. HOUSING MATERIAL : FR52 UL94V-0 COLOR:BK
2. CONTACT MATERIAL : PHOSPHOR BRONZE t=0.35mm.
3. PLATING : 1: CONTACT AREA- SELECTIVE GOLD PLATING.
2: TAILS- PLATED TIN OVER NICKEL.
4. OPERATING LIFE : 750 CYCLES MIN.
5. PCB RETENTION PRE-SOLDER : 1 LB MIN.
6. PCB RETENTION POST-SOLDER: 10 LBS MIN.

ENVIRONMENTAL:

1. STORAGE : -40°C TO +85°C.
2. OPERATION: -40°C TO +85°C.
3. IR REFLOW SOLDERING TEMPERATURE: 255°C TO 265°C (5-10 SECONDS).

MATES WITH MODULAR PLUG CONFORMING TO
FCC PART 68, SUBPART F.
ROHS PART NUMBER: E5388-EH05YX-L

1-3U" 2-6U"
3-15U" 4-30U"
5-50U"

△	Cavities/reel	Pieces/reel	Pieces/carton
	150	130	1300

DETACHED LISTS	← MM (INCH) →	DFTO SAMMY	DATE 04/16/05	FULL RISE ELECTRONIC CO., LTD	
	TOLERANCES EXCEPT AS NOTED	CHKD JAMMY	DATE 2006/1/21		
	MM	MFO	DATE	TITLE SIDE ENTRY 8P(SMT)	
	.0 ±0.20	APPV LUSHENG	DATE 2006/1/21		
	.00 ±0.15	MATERIAL :	QTY :	DRAWING NO. GE533049-LA SIZE A3 REV 1	
.000 ±0.075	FINISH :	SCALE : 3:1			
ANGLES ±	THIRD ANGLE PROJECTION		DO NOT SCALE DRAWING		SHEET X OF Y