

D.W.G.

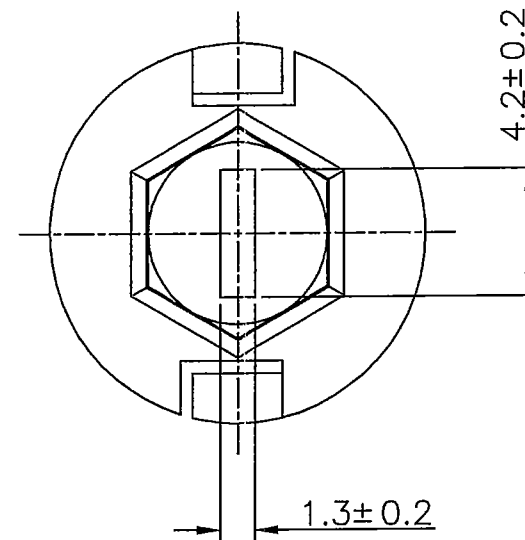
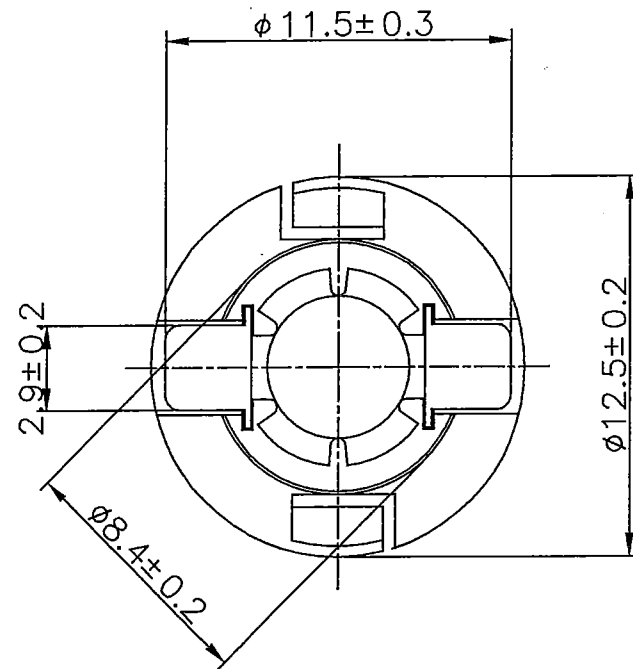
001988

REV.  
A

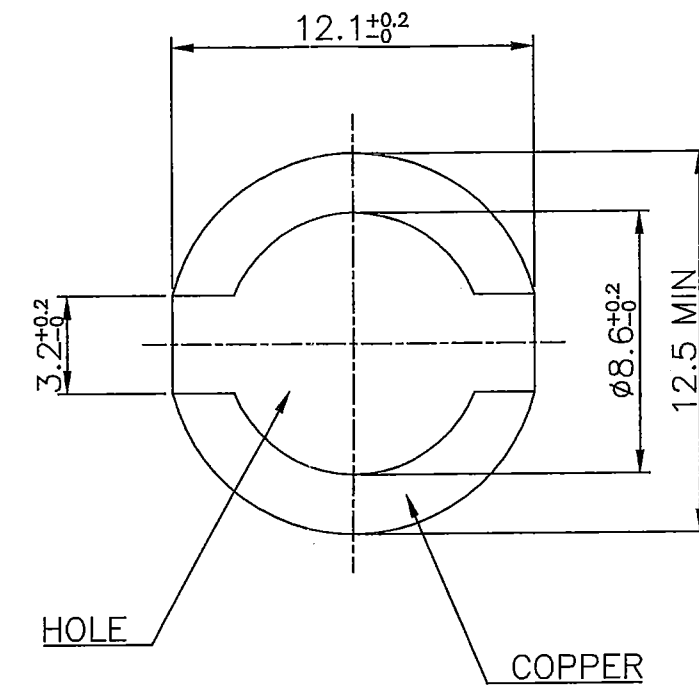
REVISIONS

LET	DESCRIPTION	BY	DATE
A	8.0MAX→8.5MAX	Y.M	930727
B	BASE TYPE CHANGE	S.S	030513

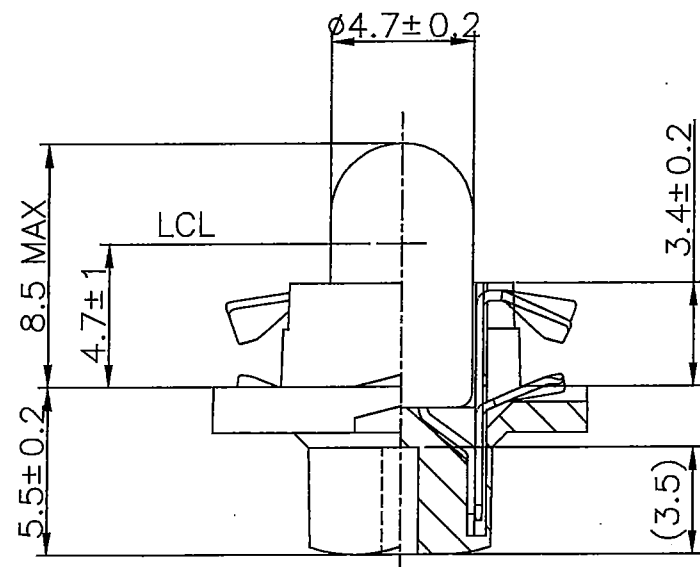
BOTTOM VIEW



PCB HOLE



HOLE THICKNESS 1.45~1.65mm



P/No.	OL-5078PBC-001988
DESIGN VOLT	6.3V
DESIGN AMP	180mA± 10%
BRIGHTNESS	0.4MSCP± 25%
FILAMENT SHAPE	C-2R
BASE COLOR	WHITE



SCALE	UNIT	MATERIAL
4/1	m.m	
TITLE		DATE
T-1 1/2PBC LAMP		030513
DRAWN		CHECKED
S.S	M.S	Y.A
APPROVED		DATE
D.W.G.NO.		REV.
001988		A

Oshino Lamps Limited  
SHINAGAWA, TOKYO, JAPAN