

4 Type (Base)

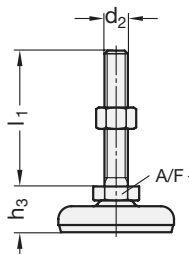
- A1** Steel, zinc plated, black rubber pad inlay
- A2** Steel, zinc plated, white rubber pad inlay

Inch table

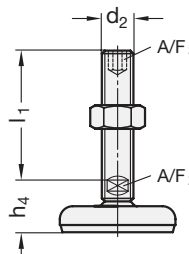
d₁	d₂ Thread	l₁								l₇ Version X	h₁	h₂	s
		Version S / SK				Version U / UK							
1.97 50	5/16 x 18	-	-	-	-	-	-	-	-	1.46 37	0.57 14.5	0.14 3.5	0.12 3
1.97 50	3/8 x 16	2.95 75	3.94 100	4.92 125	5.91 150	-	-	-	-	1.57 40	0.57 14.5	0.14 3.5	0.12 3
1.97 50	1/2 x 13	2.95 75	3.94 100	4.92 125	5.91 150	-	-	-	-	1.69 43	0.57 14.5	0.14 3.5	0.12 3
1.97 50	5/8 x 11	-	-	-	-	2.95 75	3.94 100	4.92 125	5.91 150	1.93 49	0.57 14.5	0.14 3.5	0.12 3
2.36 60	5/16 x 18	-	-	-	-	-	-	-	-	1.50 38	0.63 16	0.16 4	0.12 3
2.36 60	3/8 x 16	2.95 75	3.94 100	4.92 125	5.91 150	-	-	-	-	1.61 41	0.63 16	0.16 4	0.12 3
2.36 60	1/2 x 13	2.95 75	3.94 100	4.92 125	5.91 150	-	-	-	-	1.77 45	0.63 16	0.16 4	0.12 3
2.36 60	5/8 x 11	-	-	-	-	2.95 75	3.94 100	4.92 125	5.91 150	1.97 50	0.63 16	0.16 4	0.12 3
3.15 80	5/16 x 18	-	-	-	-	-	-	-	-	1.57 40	0.71 18	0.20 5	0.12 3
3.15 80	3/8 x 16	2.95 75	3.94 100	4.92 125	5.91 150	-	-	-	-	1.69 43	0.71 18	0.20 5	0.12 3
3.15 80	1/2 x 13	2.95 75	3.94 100	4.92 125	5.91 150	-	-	-	-	1.85 47	0.71 18	0.20 5	0.12 3
3.15 80	5/8 x 11	-	-	-	-	2.95 75	3.94 100	4.92 125	5.91 150	2.05 52	0.71 18	0.20 5	0.12 3
3.15 80	3/4 x 10	-	-	-	-	3.94 100	4.92 125	5.91 150	-	2.36 60	0.71 18	0.20 5	0.12 3
3.94 100	5/16 x 18	-	-	-	-	-	-	-	-	1.65 42	0.79 20	0.24 6	0.12 3
3.94 100	3/8 x 16	2.95 75	3.94 100	4.92 125	5.91 150	-	-	-	-	1.77 45	0.79 20	0.24 6	0.12 3
3.94 100	1/2 x 13	2.95 75	3.94 100	4.92 125	5.91 150	-	-	-	-	1.93 49	0.79 20	0.24 6	0.12 3
3.94 100	5/8 x 11	-	-	-	-	2.95 75	3.94 100	4.92 125	5.91 150	2.13 54	0.79 20	0.24 6	0.12 3
3.94 100	3/4 x 10	-	-	-	-	3.94 100	4.92 125	5.91 150	-	2.44 62	0.79 20	0.24 6	0.12 3

d ₁	d ₂ Thread	h ₃	h ₄	A/F ₁	A/F ₂	A/F ₃	A/F ₇	t
1.97 50	5/16 x 18	-	-	-	-	-	0.55 14	0.31 8
1.97 50	3/8 x 16	0.91 23	-	0.67 17	-	-	0.55 14	0.39 10
1.97 50	1/2 x 13	0.91 23	-	0.67 17	-	-	0.67 17	0.47 12
1.97 50	5/8 x 11	-	1.14 29	-	0.47 12	0.31 8	0.87 22	0.63 16
2.36 60	5/16 x 18	-	-	-	-	-	0.55 14	0.31 8
2.36 60	3/8 x 16	0.94 24	-	0.67 17	-	-	0.55 14	0.39 10
2.36 60	1/2 x 13	0.94 24	-	0.67 17	-	-	0.67 17	0.47 12
2.36 60	5/8 x 11	-	1.18 30	-	0.47 12	0.31 8	0.87 22	0.63 16
3.15 80	5/16 x 18	-	-	-	-	-	0.55 14	0.31 8
3.15 80	3/8 x 16	1.02 26	-	0.67 17	-	-	0.55 14	0.39 10
3.15 80	1/2 x 13	1.02 26	-	0.67 17	-	-	0.67 17	0.47 12
3.15 80	5/8 x 11	-	1.26 32	-	0.47 12	0.31 8	0.87 22	0.63 16
3.15 80	3/4 x 10	-	1.30 33	-	0.59 15	0.39 10	1.06 27	0.79 20
3.94 100	5/16 x 18	-	-	-	-	-	0.55 14	0.31 8
3.94 100	3/8 x 16	1.10 28	-	0.67 17	-	-	0.55 14	0.39 10
3.94 100	1/2 x 13	1.10 28	-	0.67 17	-	-	0.67 17	0.47 12
3.94 100	5/8 x 11	-	1.34 34	-	0.47 12	0.31 8	0.87 22	0.63 16
3.94 100	3/4 x 10	-	1.38 35	-	0.59 15	0.39 10	1.06 27	0.79 20

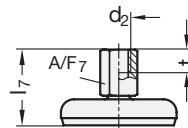
Stud / socket versions



S Without nut
SK With nut



U Without nut
UK With nut



X Tapped socket type

External hexagon at the bottom at d ₂ 3/8 x 16, 1/2 x 13 M 8, M 10, M 12	Internal hexagon at the top, wrench flat at the bottom at d ₂ 5/8 x 11, 3/4 x 10 M 16, M 20, M 24, M 30	External hexagon with tapped socket at d ₂ 5/16 x 18, 3/8 x 16, 1/2 x 13, 5/8 x 11, 3/4 x 10 M 8, M 10, M 12, M 16, M 20
-------------------------------------------------------------------------------------------	--------------------------------------------------------------------------------------------------------------------------	-------------------------------------------------------------------------------------------------------------------------------------------

3.1
3.2
3.3
3.4
3.5
3.6
3.7
3.8
3.9
3.10

Metric table

¹ d ₁	² d ₂ Thread	³ l ₁ Version S / SK					Version U / UK					³ l ₇ Version X	h ₁	h ₂	s
50 1.97	M 8	40 1.57	50 1.97	63 2.48	-	-	-	-	-	-	37 1.46	14.5 0.57	3.5 0.14	3	0.12
50 1.97	M 10	50 1.97	60 2.36	80 3.15	100 3.94	-	-	-	-	-	40 1.57	14.5 0.57	3.5 0.14	3	0.12
50 1.97	M 12	60 2.36	80 3.15	100 3.94	125 4.92	-	-	-	-	-	43 1.69	14.5 0.57	3.5 0.14	3	0.12
50 1.97	M 16	-	-	-	-	75 2.95	100 3.94	125 4.92	150 5.91	200 7.87	49 1.93	14.5 0.57	3.5 0.14	3	0.12
60 2.36	M 8	40 1.57	50 1.97	63 2.48	-	-	-	-	-	-	38 1.50	16 0.63	4 0.16	3	0.12
60 2.36	M 10	50 1.97	60 2.36	80 3.15	100 3.94	-	-	-	-	-	41 1.61	16 0.63	4 0.16	3	0.12
60 2.36	M 12	60 2.36	80 3.15	100 3.94	125 4.92	-	-	-	-	-	45 1.77	16 0.63	4 0.16	3	0.12
60 2.36	M 16	-	-	-	-	75 2.95	100 3.94	125 4.92	150 5.91	200 7.87	50 1.97	16 0.63	4 0.16	3	0.12
80 3.15	M 8	40 1.57	50 1.97	63 2.48	-	-	-	-	-	-	40 1.57	18 0.71	5 0.20	3	0.12
80 3.15	M 10	50 1.97	60 2.36	80 3.15	100 3.94	-	-	-	-	-	43 1.69	18 0.71	5 0.20	3	0.12
80 3.15	M 12	60 2.36	80 3.15	100 3.94	125 4.92	-	-	-	-	-	47 1.85	18 0.71	5 0.20	3	0.12
80 3.15	M 16	-	-	-	-	75 2.95	100 3.94	125 4.92	150 5.91	200 7.87	52 2.05	18 0.71	5 0.20	3	0.12
80 3.15	M 20	-	-	-	-	75 2.95	100 3.94	125 4.92	150 5.91	200 7.87	60 2.36	18 0.71	5 0.20	3	0.12
80 3.15	M 24	-	-	-	-	100 3.94	125 4.92	150 5.91	200 7.87	-	-	18 0.71	5 0.20	3	0.12
100 3.94	M 8	40 1.57	50 1.97	63 2.48	-	-	-	-	-	-	42 1.65	20 0.79	6 0.24	3	0.12
100 3.94	M 10	50 1.97	60 2.36	80 3.15	100 3.94	-	-	-	-	-	45 1.77	20 0.79	6 0.24	3	0.12
100 3.94	M 12	60 2.36	80 3.15	100 3.94	125 4.92	-	-	-	-	-	49 1.93	20 0.79	6 0.24	3	0.12
100 3.94	M 16	-	-	-	-	75 2.95	100 3.94	125 4.92	150 5.91	200 7.87	54 2.13	20 0.79	6 0.24	3	0.12
100 3.94	M 20	-	-	-	-	75 2.95	100 3.94	125 4.92	150 5.91	200 7.87	62 2.44	20 0.79	6 0.24	3	0.12
100 3.94	M 24	-	-	-	-	100 3.94	125 4.92	150 5.91	200 7.87	-	-	20 0.79	6 0.24	3	0.12
120 4.72	M 20	-	-	-	-	100 3.94	125 4.92	150 5.91	200 7.87	-	65 2.56	22 0.87	6 0.24	4	0.16
120 4.72	M 24	-	-	-	-	100 3.94	125 4.92	150 5.91	200 7.87	-	-	22 0.87	6 0.24	4	0.16
120 4.72	M 30	-	-	-	-	100 3.94	125 4.92	150 5.91	200 7.87	-	-	22 0.87	6 0.24	4	0.16

³ Dimensions in: millimeters - inches

d ₁	d ₂ Thread	h ₃	h ₄	A/F ₁	A/F ₂	A/F ₃	A/F ₇	t
50 1.97	M 8	23 0.91	-	17 0.67	-	-	14 0.55	8 0.31
50 1.97	M 10	23 0.91	-	17 0.67	-	-	14 0.55	10 0.39
50 1.97	M 12	23 0.91	-	17 0.67	-	-	17 0.67	12 0.47
50 1.97	M 16	-	29 1.14	-	12 0.47	8 0.31	22 0.87	16 0.63
60 2.36	M 8	24 0.94	-	17 0.67	-	-	14 0.55	8 0.31
60 2.36	M 10	24 0.94	-	17 0.67	-	-	14 0.55	10 0.39
60 2.36	M 12	24 0.94	-	17 0.67	-	-	17 0.67	12 0.47
60 2.36	M 16	-	30 1.18	-	12 0.47	8 0.31	22 0.87	16 0.63
80 3.15	M 8	26 1.02	-	17 0.67	-	-	14 0.55	8 0.31
80 3.15	M 10	26 1.02	-	17 0.67	-	-	14 0.55	10 0.39
80 3.15	M 12	26 1.02	-	17 0.67	-	-	17 0.67	12 0.47
80 3.15	M 16	-	32 1.26	-	12 0.47	8 0.31	22 0.87	16 0.63
80 3.15	M 20	-	33 1.30	-	15 0.59	10 0.39	27 1.06	20 0.79
80 3.15	M 24	-	36 1.42	-	19 0.75	12 0.47	-	-
100 3.94	M 8	28 1.10	-	17 0.67	-	-	14 0.55	8 0.31
100 3.94	M 10	28 1.10	-	17 0.67	-	-	14 0.55	10 0.39
100 3.94	M 12	28 1.10	-	17 0.67	-	-	17 0.67	12 0.47
100 3.94	M 16	-	34 1.34	-	12 0.47	8 0.31	22 0.87	16 0.63
100 3.94	M 20	-	35 1.38	-	15 0.59	10 0.39	27 1.06	20 0.79
100 3.94	M 24	-	38 1.50	-	19 0.75	12 0.47	-	-
120 4.72	M 20	-	39 1.54	-	15 0.59	10 0.39	27 1.06	20 0.79
120 4.72	M 24	-	42 1.65	-	19 0.75	12 0.47	-	-
120 4.72	M 30	-	46 1.81	-	24 0.94	12 0.47	-	-

Specification


- Base
Steel sheet metal, zinc plated, blue passivated finish
- Threaded stud / tapped socket
Steel, zinc plated, blue passivated finish
- Hexagon nut ISO 4032
Steel, zinc plated, blue passivated finish
- Rubber pad inlay
- Black: Perbunan® (NBR) 80 ±5 shore A
- White: Santoprene® (TPE) 80 ±5 shore A
- RoHS compliant

Information

The solid rubber pad of GN 30 leveling feet is firmly embedded in the sheet metal base and secured by a screw loctited into place. The black rubber pad inlay (NBR) offers high resistance to swelling when in contact with oils and fuels. The white rubber pad inlay (TPE) has excellent dynamic fatigue life and is resistant to ozone and atmospheric influences.


These leveling feet are supplied fully assembled and cannot be disassembled.

How to order (Inch)	
1	Base diameter d ₁
2	Thread d ₂
3	Length l ₁ (Length l ₁)
4	Type (Base)
5	Stud / socket version



GN 30-50-5/16X18-37-A2-X

How to order (Metric)	
1	Base diameter d ₁
2	Thread d ₂
3	Length l ₁ (Length l ₁)
4	Type (Base)
5	Stud / socket version



GN 30-120-M30-125-A1-UK

3.1
3.2
3.3
3.4
3.5
3.6
3.7
3.8
3.9
3.10

