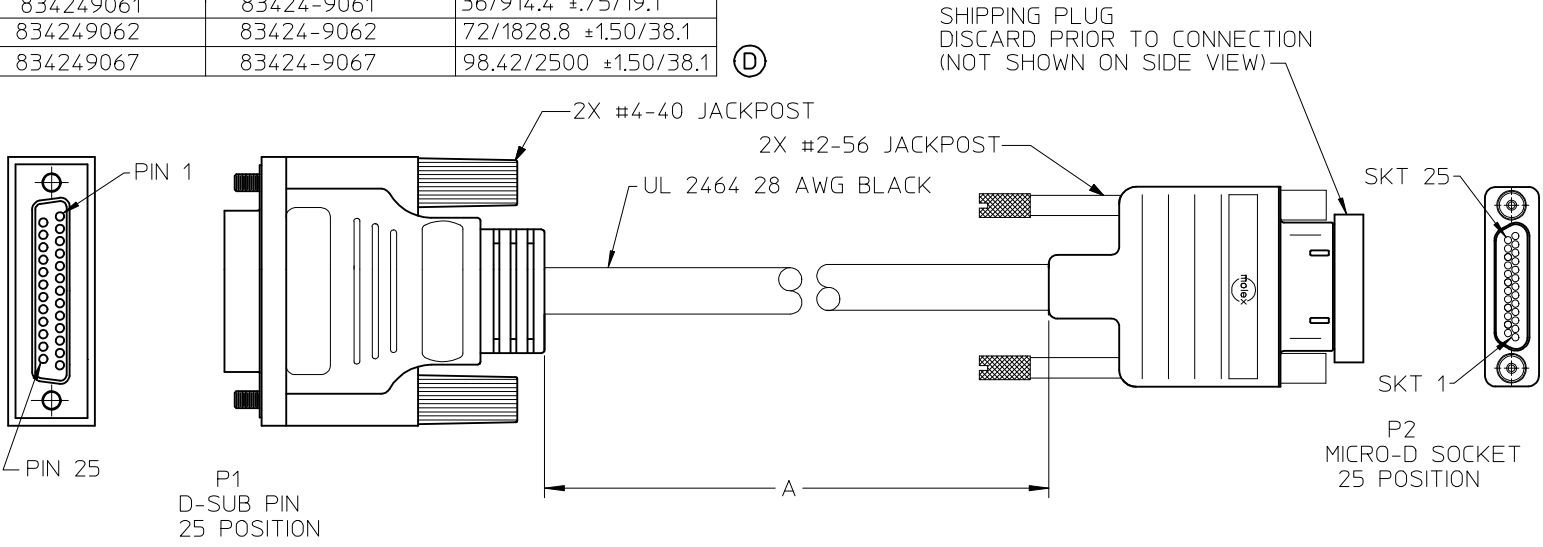


MATERIAL NO.	ENGINEERING NO.	DIM "A"
834249060	83424-9060	18/457.2 ±.50/12.7
834249061	83424-9061	36/914.4 ±.75/19.1
834249062	83424-9062	72/1828.8 ±1.50/38.1
834249067	83424-9067	98.42/2500 ±1.50/38.1



P1		P2
1	BLACK	1
2	BROWN	2
3	RED	3
4	ORANGE	4
5	YELLOW	5
6	GREEN	6
7	BLUE	7
8	PURPLE	8
9	GRAY	9
10	WHITE	10
11	PINK	11
12	LIGHT GREEN	12
13	BLACK/WHITE	13
14	BROWN/WHITE	14
15	RED/WHITE	15
16	ORANGE/WHITE	16
17	GREEN/WHITE	17
18	BLUE/WHITE	18
19	PURPLE/WHITE	19
20	RED/BLACK	20
21	ORANGE/BLACK	21
22	YELLOW/BLACK	22
23	GREEN/BLACK	23
24	GRAY/BLACK	24
25	PINK/BLACK	25

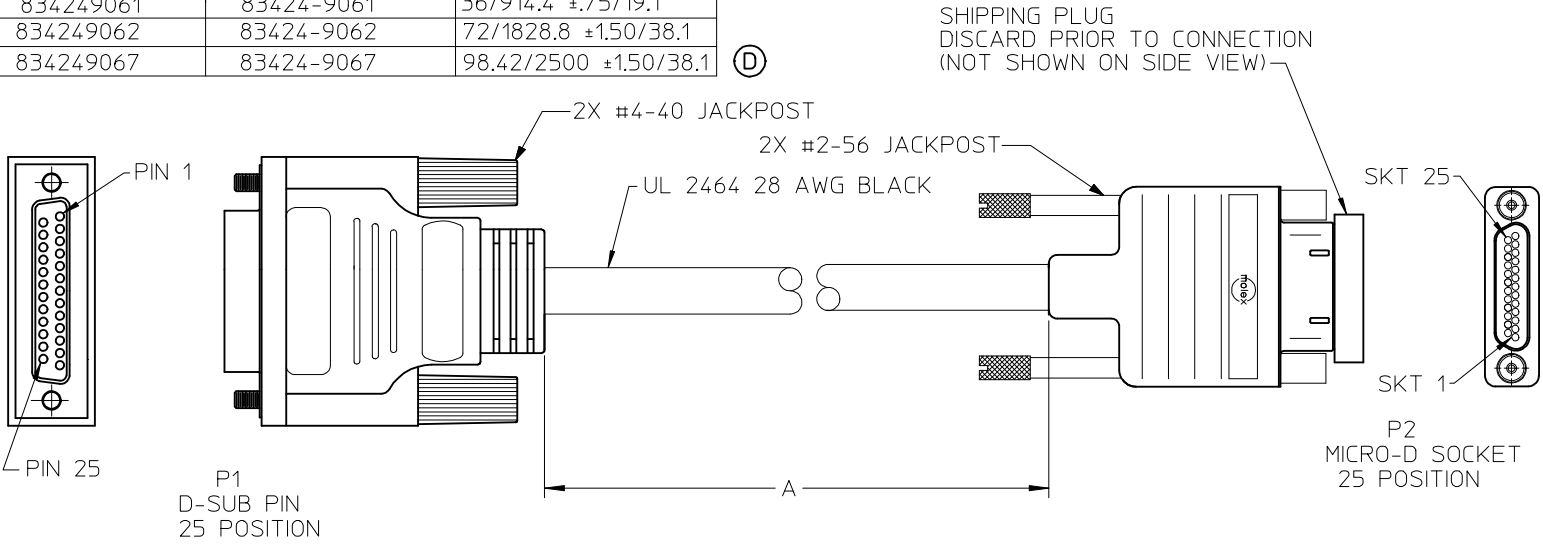
SHELL D.W+BD SHELL

SALES DRAWING

NOTES:
1) REFER TO PS-834219-001 FOR PRODUCT SPEC.
2) RoHS COMPLIANT

ADD LAST PART NO. EC NO: IPG2015-1717 CHKD: DRWINBARDEN APPR: BWOODMAN	2015/04/01 2015/04/21 DESCRIPTION	QUALITY SYMBOLS ▽=0 ▽=0	GENERAL TOLERANCES (UNLESS SPECIFIED) mm INCH 4 PLACES ± --- ± --- 3 PLACES ± --- ± --- 2 PLACES ± --- ± --- 1 PLACE ± --- ± --- ANGULAR ± 1°	DIMENSION STYLE IN/MM DRAWN BY DATE JLOMASTR 05/04/18 CHECKED BY DATE RWD 05/04/20 APPROVED BY DATE RDEROSS 05/04/21	SCALE DESIGN UNITS INCH THIRD ANGLE PROJECTION	TITLE CABLE ASSEMBLY CMD 25 POS SOCKET TO 25 POS D-SUB PIN
		DRAFT WHERE APPLICABLE MUST REMAIN WITHIN DIMENSIONS	MATERIAL NO. SEE CHART	DOCUMENT NO. SD-83424-060	SHEET NO. 1 OF 1	
		THIS DRAWING CONTAINS INFORMATION THAT IS PROPRIETARY TO MOLEX INCORPORATED AND SHOULD NOT BE USED WITHOUT WRITTEN PERMISSION				
		MOLEX INCORPORATED				

10	9	8	7
MATERIAL NO.	ENGINEERING NO.	DIM "A"	
834249060	83424-9060	18/457.2 ±.50/12.7	
834249061	83424-9061	36/914.4 ±.75/19.1	
834249062	83424-9062	72/1828.8 ±1.50/38.1	
834249067	83424-9067	98.42/2500 ±1.50/38.1	



P1		P2
1	BLACK	1
2	BROWN	2
3	RED	3
4	ORANGE	4
5	YELLOW	5
6	GREEN	6
7	BLUE	7
8	PURPLE	8
9	GRAY	9
10	WHITE	10
11	PINK	11
12	LIGHT GREEN	12
13	BLACK/WHITE	13
14	BROWN/WHITE	14
15	RED/WHITE	15
16	ORANGE/WHITE	16
17	GREEN/WHITE	17
18	BLUE/WHITE	18
19	PURPLE/WHITE	19
20	RED/BLACK	20
21	ORANGE/BLACK	21
22	YELLOW/BLACK	22
23	GREEN/BLACK	23
24	GRAY/BLACK	24
25	PINK/BLACK	25

SHELL D.W+BD SHELL

SALES DRAWING

NOTES:
1) REFER TO PS-834219-001 FOR PRODUCT SPEC.
2) RoHS COMPLIANT

ADD LAST PART NO. EC NO: IPG2015-1717 DR: WMBARDEN CHKD: BWOODMAN APPR: BWOODMAN	2015/04/01 2015/04/21 DESCRIPTION	QUALITY SYMBOLS	GENERAL TOLERANCES (UNLESS SPECIFIED)	DIMENSION STYLE	SCALE	DESIGN UNITS	THIRD ANGLE PROJECTION	
		▽=0 ▽=0	mm INCH 4 PLACES ± --- ± --- 3 PLACES ± --- ± --- 2 PLACES ± --- ± --- 1 PLACE ± --- ± ---	IN/MM DRAWN BY DATE JLOMASTR 05/04/18 CHECKED BY DATE RWD 05/04/20 APPROVED BY DATE RDEROSS 05/04/21	INCH	TITLE CABLE ASSEMBLY CMD 25 POS SOCKET TO 25 POS D-SUB PIN	Molex MOLEX INCORPORATED	SHEET NO. 1 OF 1
		DRAFT WHERE APPLICABLE MUST REMAIN WITHIN DIMENSIONS	SEE CHART	MATERIAL NO. SD-83424-060	DOCUMENT NO.	THIS DRAWING CONTAINS INFORMATION THAT IS PROPRIETARY TO MOLEX INCORPORATED AND SHOULD NOT BE USED WITHOUT WRITTEN PERMISSION		
		SIZE B						