

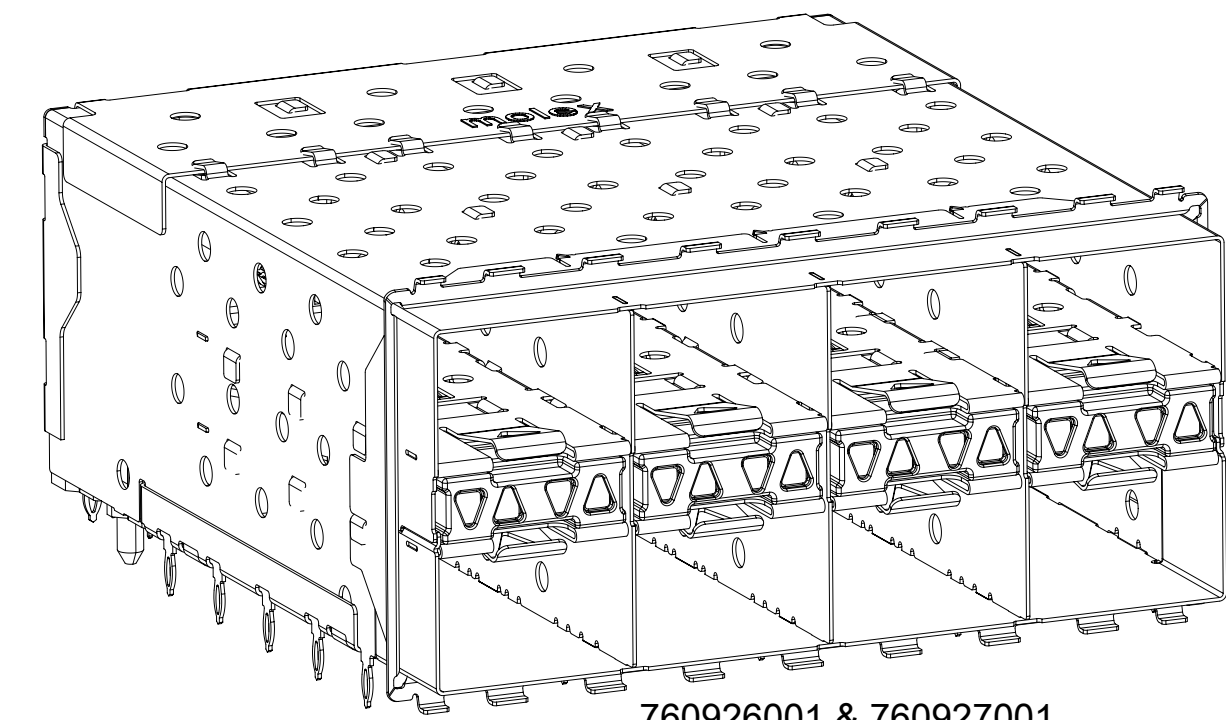
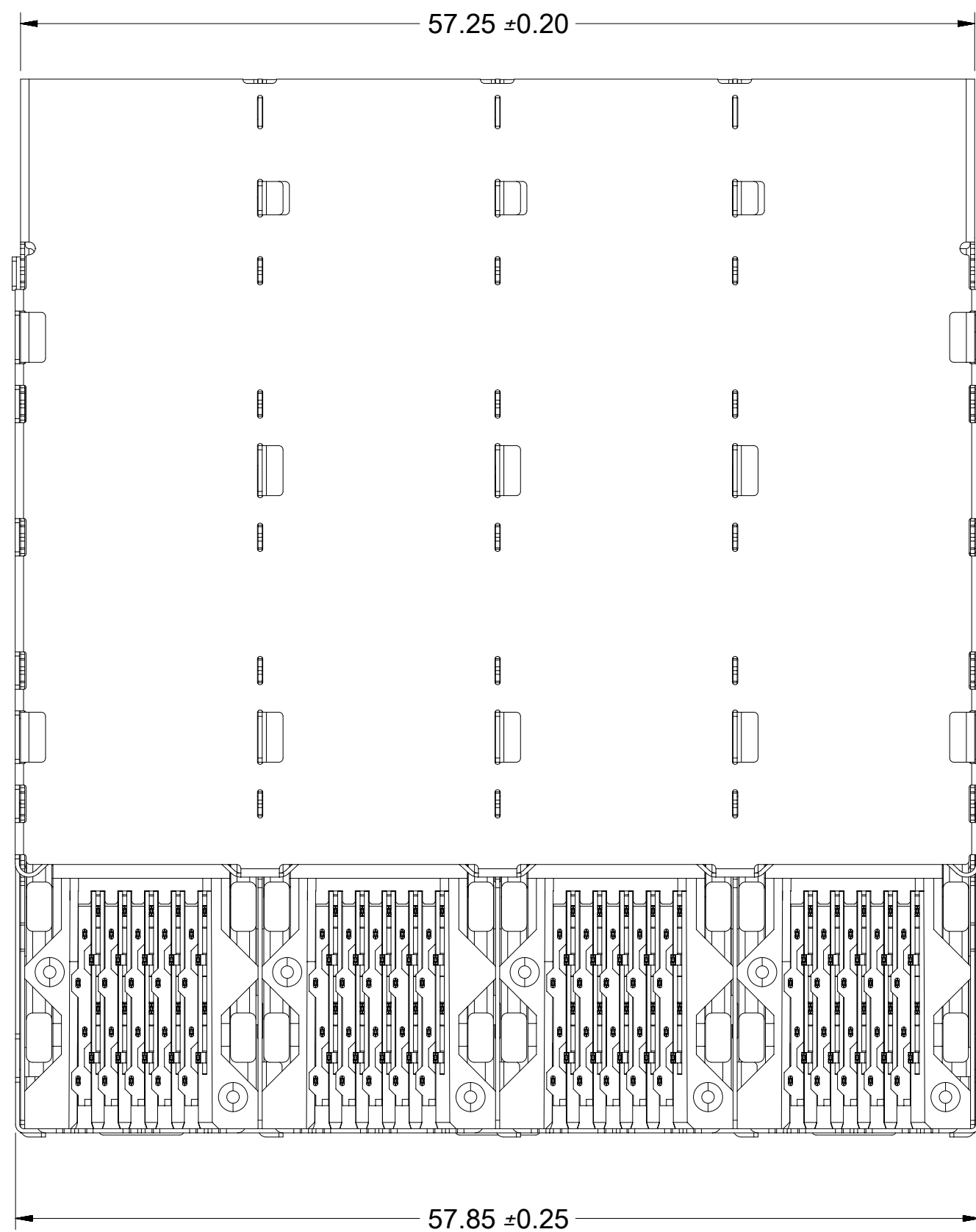
- NOTES:**
- MATERIAL:**
 - CAGE: NICKEL SILVER, THICKNESS: 0.25mm
 - CAGE FLANGE: STAINLESS STEEL
 - CONNECTOR HOUSING: GLASS FILLED LIQUID CRYSTAL POLYMER (LCP), UL 94V-0, COLOR: BLACK
 - OVERMOLD TERMINAL HOUSING: GLASS FILLED LIQUID CRYSTAL POLYMER (LCP), UL 94V-0, COLOR: BLACK
 - TERMINALS: TIN BRASS
 - EMI GASKET: CONDUCTIVE ELASTOMER
 - LIGHTPIPE HOUSING: ZINC
 - LIGHTPIPES: POLYCARBONATE, 94HB, COLOR: CLEAR (WEIGHT OF INDIVIDUAL LIGHTPIPE LESS THAN 1 GRAM) (PER TELCORDIA-GR-63-CORE-ISSUE3, SECTION 4.2.3.1; R4-43, DISCRETE STRUCTURAL COMPONENTS CONSTITUTING A FUEL LOAD OF 1 GRAM OR LESS ARE EXEMPT FROM THE REQUIREMENTS OF R4-43(91); UL 94V-0 RATING)

- FINISHES:**
 - TERMINALS: CONTACT AREA: 0.76 MICROMETER MINIMUM HARD GOLD OVER 1.27 MICROMETER MINIMUM NICKEL.
 - COMPLIANT TAIL - MATTE TIN/LEAD OPTION: 0.76 TO 1.52 MICROMETER 90/10 MATTE TIN - LEAD OVER 0.76 MICROMETER MINIMUM NICKEL.
 - COMPLIANT TAIL - MATTE TIN OPTION: 0.76 TO 1.52 MICROMETER MATTE TIN OVER 0.76 MICROMETER MINIMUM NICKEL.
 - LIGHTPIPE HOUSING: 80 MICROMETER MINIMUM NICKEL OVER COPPER
- REFER TO PS-75310-001 PRODUCT SPEC FOR ALL ELECTRICAL, MECHANICAL AND ENVIRONMENTAL SPECIFICATIONS.
- LIGHT PIPE PAD LAYOUT IS FOR 0805 LOW-PROFILE LED PACKAGE, FOR OTHER RECOMMENDED LAYOUTS REFER TO MOLEX'S REPORT TS-75310-001.
- REFER TO PK-75450-001 FOR ALL PACKAGING SPECIFICATIONS.
- ALL EXTERIOR SURFACES TO BE CLASS "B" SURFACE EXCEPT THE UNDERSIDE OF THE CAGE WHERE THE PCB WOULD BE LOCATED AND AS NOTED. THE SURFACES TO CONFORM TO THE MOLEX COSMETIC DOC PS-45499-002.
- REFER TO AS-76090-001 FOR HIGH SPEED ROUTING RECOMMENDATIONS.
- DATE CODE LOCATION IS SHOWN ABOVE.
 - DATE CODE FORMAT: DDDY MX A1
 - DDD = DAY OF THE YEAR
 - Y = YEAR
 - MX = MOLEX
 - A = ALPHA CHARACTER - INDICATES MANUFACTURING LINE
 - 1 = NUMERIC CHARACTER - INDICATES PRODUCTION SHIFT

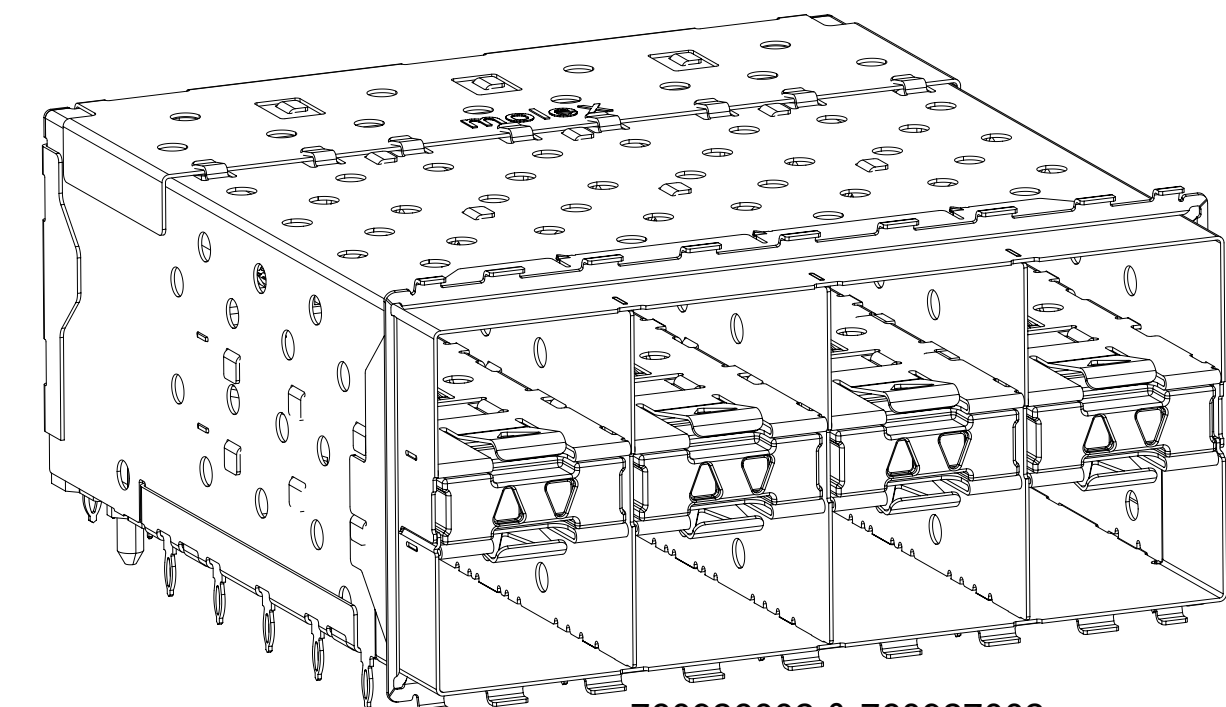
PART NUMBER	DESCRIPTION	VIEW	COMPLIANT TAIL PLATING	CAGE PLATING
760926001	4 LIGHT PORTS	SEE PG 2	MATTE TIN / LEAD	N/A
760926002	INNER 2 PORTS	SEE PG 2	MATTE TIN / LEAD	N/A
760926003	OUTER 2 PORTS	SEE PG 2	MATTE TIN / LEAD	N/A
760927001	4 LIGHT PORTS	SEE PG 2	MATTE TIN	N/A
760927002	INNER 2 PORTS	SEE PG 2	MATTE TIN	N/A
760927003	OUTER 2 PORTS	SEE PG 2	MATTE TIN	N/A

THIS DRAWING CONTAINS INFORMATION THAT IS PROPRIETARY TO MOLEX ELECTRONIC TECHNOLOGIES, LLC AND SHOULD NOT BE USED WITHOUT WRITTEN PERMISSION

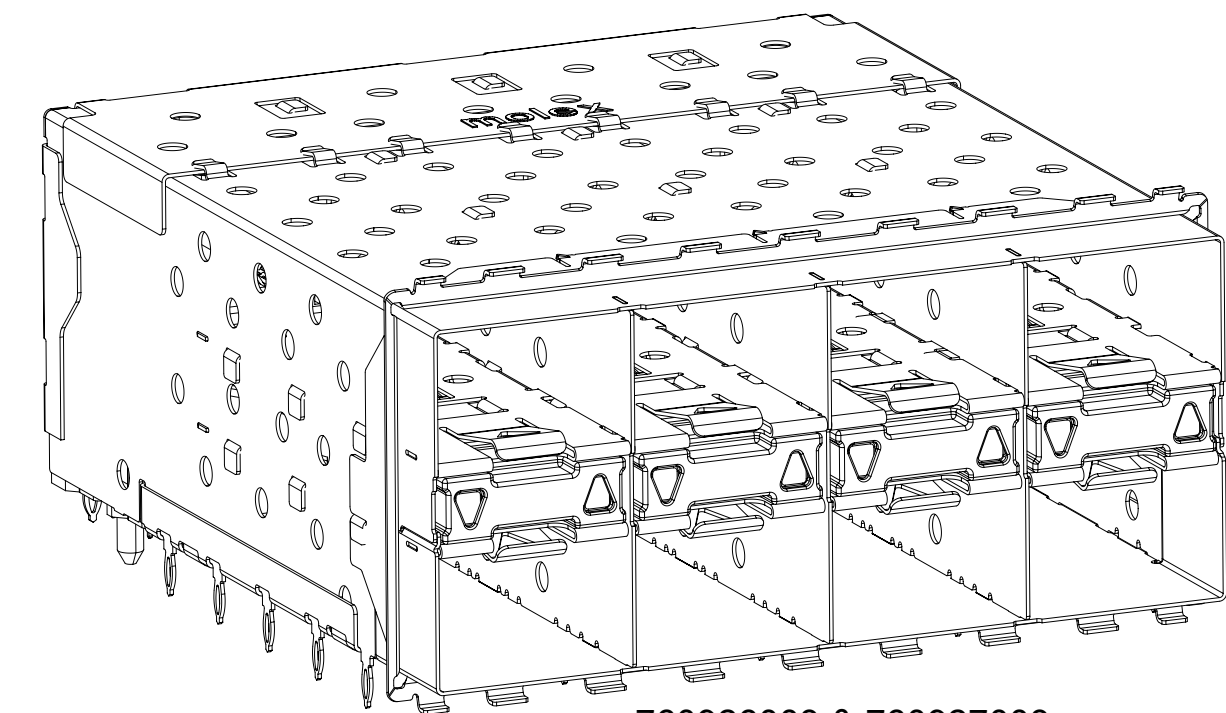
DIMENSION UNITS mm	SCALE 3:1	CURRENT REV DESC: REVISE DRAWING		molex		
GENERAL TOLERANCES (UNLESS SPECIFIED)		EC NO: 628957				
ANGULAR TOL ± 0.5°		DRWN: JWALLACE01	2019/02/12	PRODUCT CUSTOMER DRAWING		
4 PLACES ±		CHK'D: JKACHLIC	2019/12/12	DOCUMENT NUMBER		
3 PLACES ±		APPR: JKACHLIC	2019/12/12	SD-76092-006		
2 PLACES ± 0.13		INITIAL REVISION:		DOC TYPE	DOC PART	REVISION
1 PLACE ± 0.25		DRWN: JJANTELEZIO	2009/11/02	PSD	001	C1
0 PLACES ±		APPR: MBANAKIS	2009/11/18	SHEET NUMBER		
DRAFT WHERE APPLICABLE MUST REMAIN WITHIN DIMENSIONS	THIRD ANGLE PROJECTION	DRAWING	SERIES	MATERIAL NUMBER	CUSTOMER	SHEET NUMBER
		C-SIZE	76092		GENERAL MARKET	1 OF 4



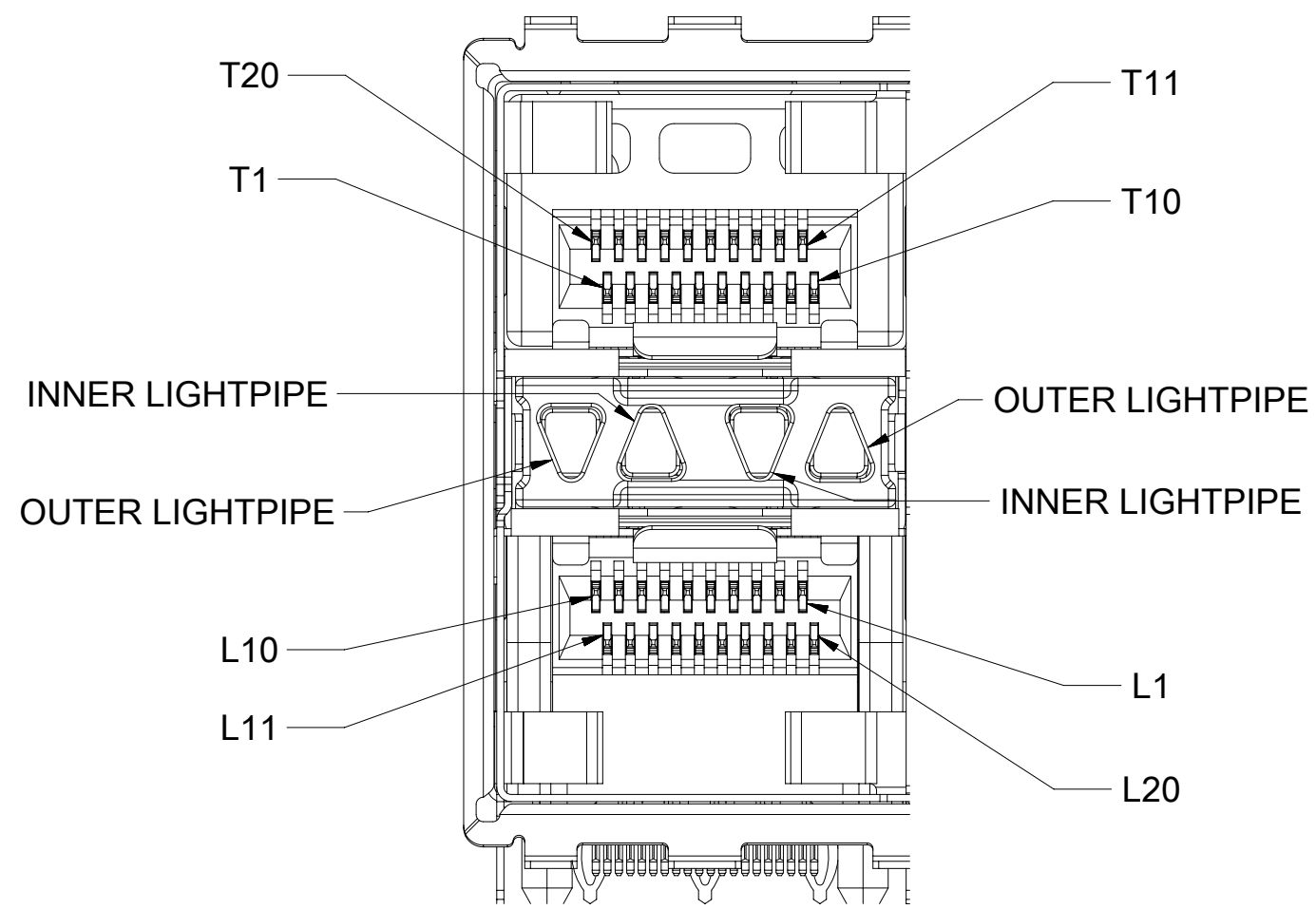
760926001 & 760927001
WITH INNER & OUTER LIGHT PIPE PORTS



760926002 & 760927002
WITH INNER LIGHT PIPE PORTS

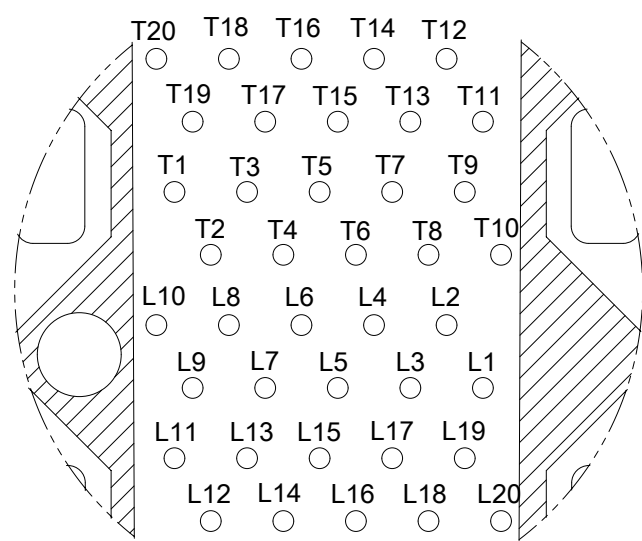


760926003 & 760927003
WITH OUTER LIGHT PIPE PORTS



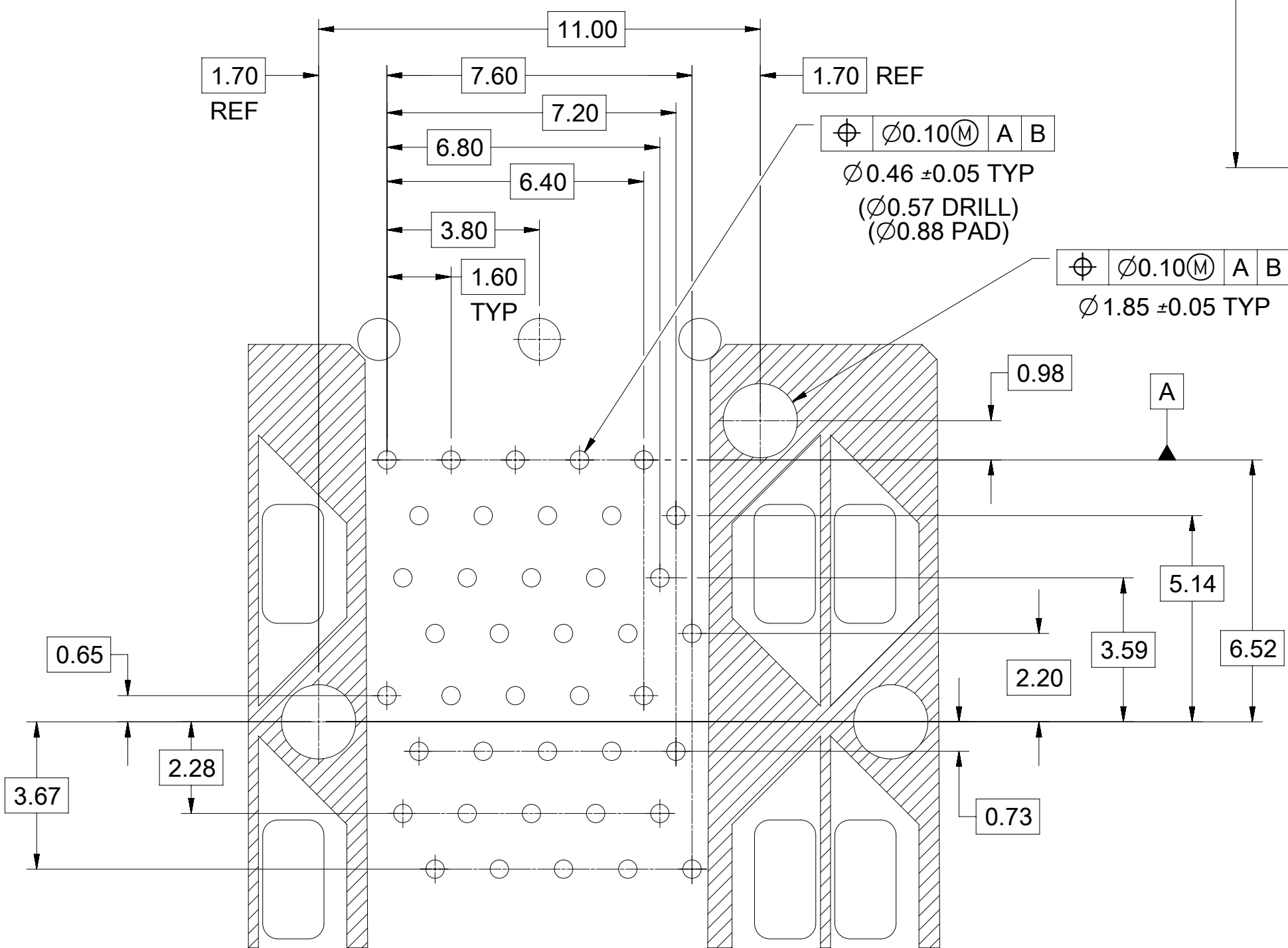
DETAIL B
SCALE 4:1
CIRCUIT NUMBERING
AND LIGHTPIPE
IDENTIFICATION

THIS DRAWING CONTAINS INFORMATION THAT IS PROPRIETARY TO MOLEX ELECTRONIC TECHNOLOGIES, LLC AND SHOULD NOT BE USED WITHOUT WRITTEN PERMISSION																			
DIMENSION UNITS		SCALE		CURRENT REV DESC: REVISE DRAWING															
mm		3:1		<p>molex</p> <p>STACKED SFP+ 2X4 ASSY WITH ELASTOMERIC GASKET LIGHTPIPES- IMPROVED EMI</p> <p>PRODUCT CUSTOMER DRAWING</p> <table border="1"> <tr> <td>DOCUMENT NUMBER</td> <td>DOC TYPE</td> <td>DOC PART</td> <td>REVISION</td> </tr> <tr> <td>SD-76092-006</td> <td>PSD</td> <td>001</td> <td>C1</td> </tr> </table>								DOCUMENT NUMBER	DOC TYPE	DOC PART	REVISION	SD-76092-006	PSD	001	C1
DOCUMENT NUMBER	DOC TYPE	DOC PART	REVISION																
SD-76092-006	PSD	001	C1																
GENERAL TOLERANCES (UNLESS SPECIFIED)																			
ANGULAR TOL	± 0.5°																		
4 PLACES	±																		
3 PLACES	±																		
2 PLACES	± 0.13																		
1 PLACE	± 0.25																		
0 PLACES	±																		
DRAFT WHERE APPLICABLE MUST REMAIN WITHIN DIMENSIONS		THIRD ANGLE PROJECTION		DRAWING		SERIES		MATERIAL NUMBER											
				C-SIZE		76092		GENERAL MARKET											
DOCUMENT STATUS		P1		RELEASE DATE		2019/12/12 07:39:57		SHEET NUMBER											
								2 OF 4											

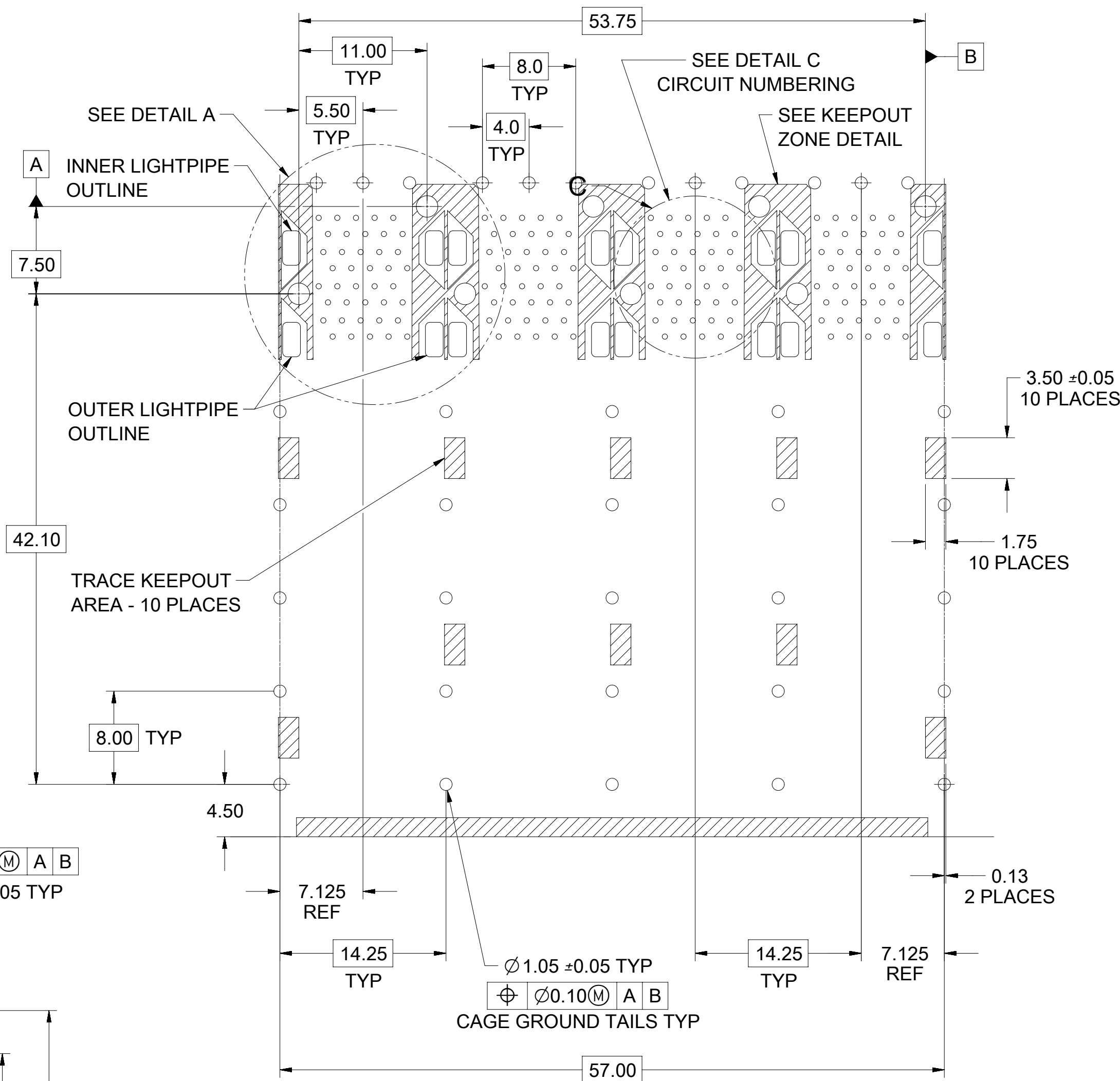


CIRCUIT NUMBERING
COMPONENT SIDE OF BOARD

DETAIL C
SCALE 6:1



DETAIL A
SCALE 8:1



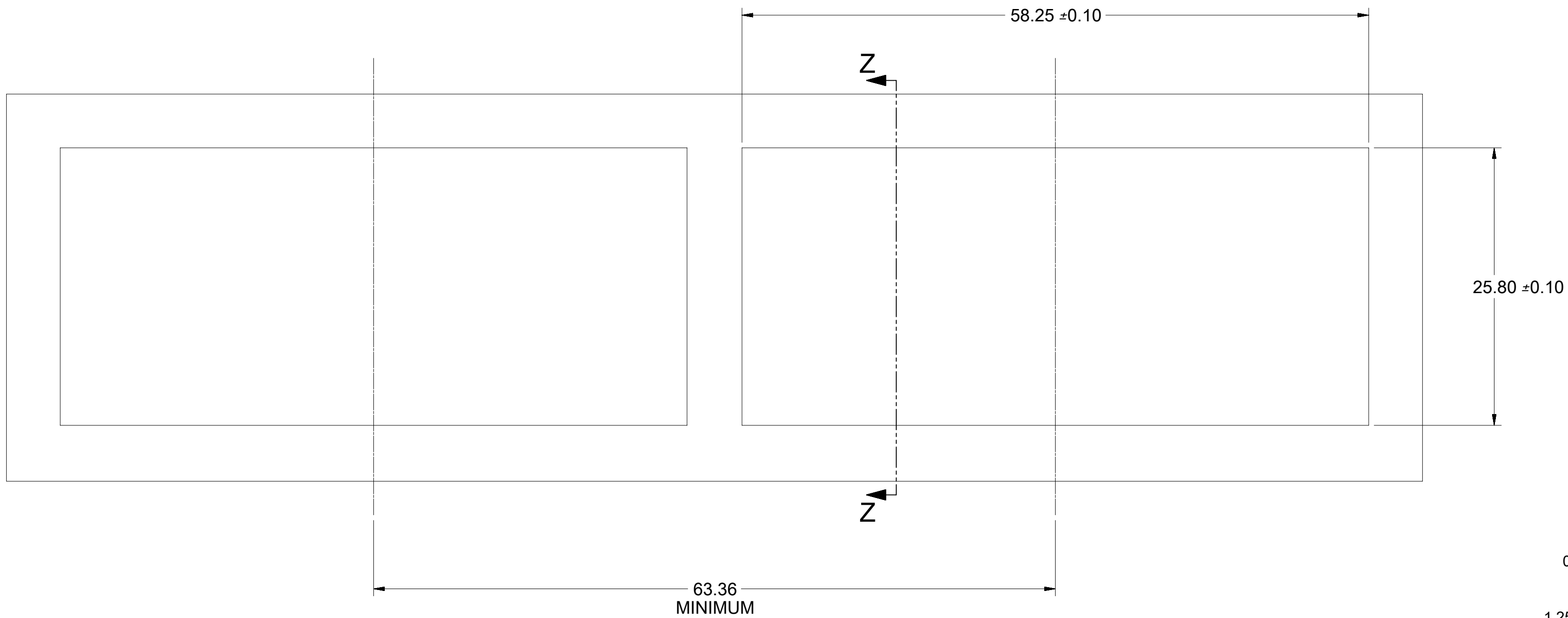
RECOMMENDED PCB LAYOUT - COMPONENT SIDE
MINIMUM PCB THICKNESS OF 1.57 mm
THE ENTIRE AREA OF THE CONNECTOR FOOTPRINT
TO BE CONSIDERED THE KEEP OUT AREA INDICATED
BY DASHED LINE

THIS DRAWING CONTAINS INFORMATION THAT IS PROPRIETARY TO MOLEX ELECTRONIC TECHNOLOGIES, LLC AND SHOULD NOT BE USED WITHOUT WRITTEN PERMISSION											
DIMENSION UNITS		SCALE		CURRENT REV DESC: REVISE DRAWING							
mm		3:1									
GENERAL TOLERANCES (UNLESS SPECIFIED)											
ANGULAR TOL ± 0.5°											
4 PLACES ±											
3 PLACES ±											
2 PLACES ± 0.13											
1 PLACE ± 0.25											
0 PLACES ±											
DRAFT WHERE APPLICABLE MUST REMAIN WITHIN DIMENSIONS				THIRD ANGLE PROJECTION		DRAWING		SERIES		DOCUMENT NUMBER	
				C-SIZE		76092		SD-76092-006		PSD 001 C1	
								MATERIAL NUMBER		CUSTOMER	
								GENERAL MARKET		SHEET NUMBER	
										3 OF 4	

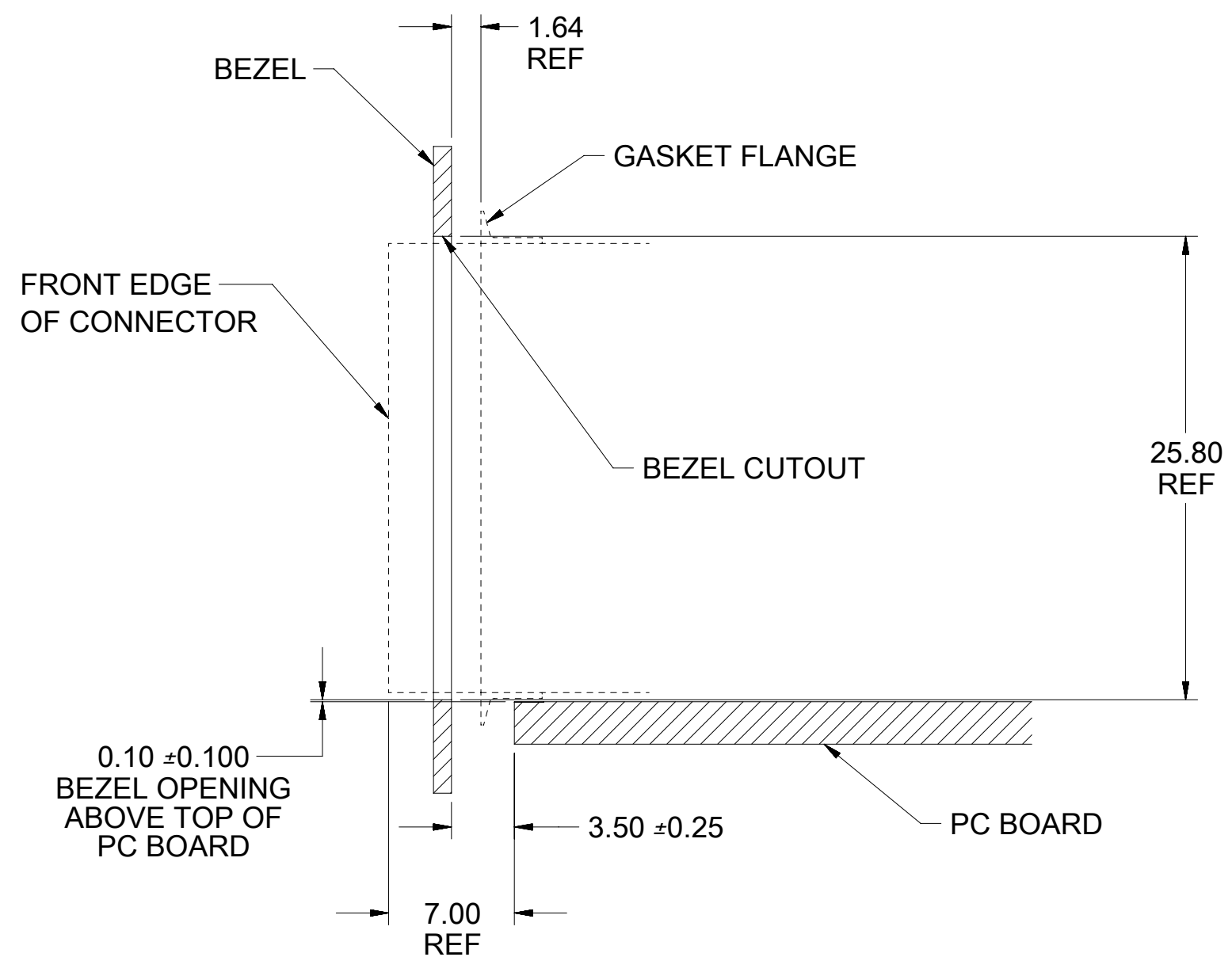
molex

STACKED SFP+ 2X4 ASSY
WITH ELASTOMERIC GASKET LIGHTPIPES-
IMPROVED EMI

PRODUCT CUSTOMER DRAWING

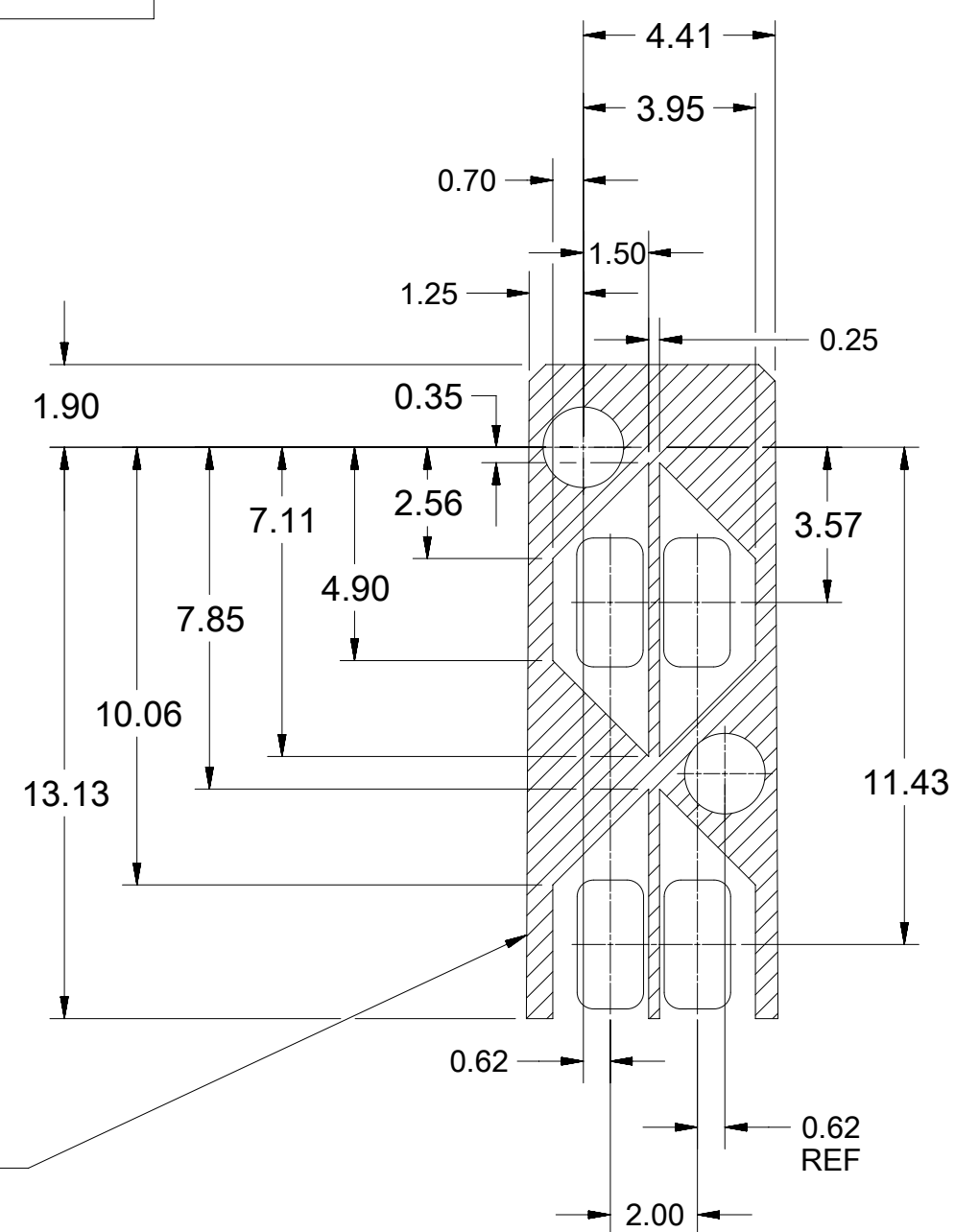


BEZEL CUTOUT CENTER SPACING DETAIL
BEZEL THICKNESS 0.8-2.6



SECTION Z-Z

THE HATCHED AREA IN THIS VIEW INDICATES ZONES THAT ARE OCCUPIED BY THE PLASTIC HOUSING THAT SEATS AGAINST THE PCB AND BY THE VERTICAL METAL CAGE WALL THAT STOPS JUST SHORT OF THE PCB



KEEPOUT ZONE DETAIL - LIGHTPIPE LOCATION AND OTHER ZONES
SCALE 6:1

THIS DRAWING CONTAINS INFORMATION THAT IS PROPRIETARY TO MOLEX ELECTRONIC TECHNOLOGIES, LLC AND SHOULD NOT BE USED WITHOUT WRITTEN PERMISSION									
DIMENSION UNITS		SCALE		CURRENT REV DESC: REVISE DRAWING					
mm		3:1		<p>molex</p> <p>STACKED SFP+ 2X4 ASSY WITH ELASTOMERIC GASKET LIGHTPIPES- IMPROVED EMI</p> <p>PRODUCT CUSTOMER DRAWING</p> <p>DOCUMENT NUMBER: SD-76092-006 DOC TYPE: PSD DOC PART: 001 REVISION: C1</p> <p>MATERIAL NUMBER: GENERAL MARKET CUSTOMER: SHEET NUMBER: 4 OF 4</p>					
GENERAL TOLERANCES (UNLESS SPECIFIED)									
ANGULAR TOL ± 0.5°									
4 PLACES ±									
3 PLACES ±									
2 PLACES ± 0.13									
1 PLACE ± 0.25									
0 PLACES ±				INITIAL REVISION:					
DRAFT WHERE APPLICABLE MUST REMAIN WITHIN DIMENSIONS		THIRD ANGLE PROJECTION		DRAWING		SERIES			
		C-SIZE		76092					