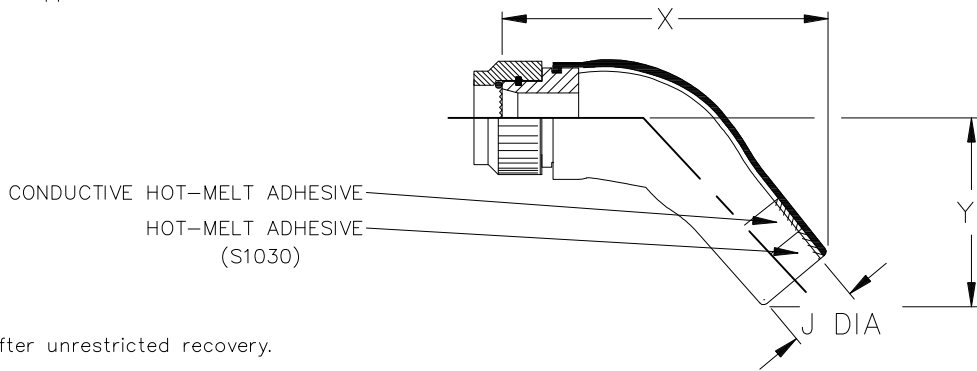


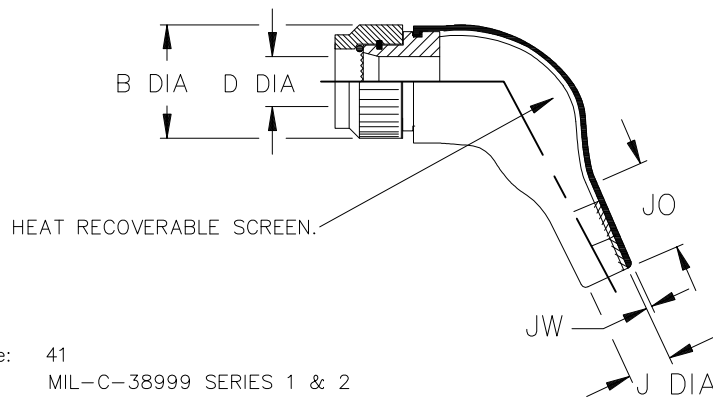
REVISIONS

P	LTR	DESCRIPTION	DATE	DWN	APVD
	4	RELEASED AS PER ECO-17-009529	03JUL2017	PV	MP

a) Part as supplied.



b) Part after unrestricted recovery.



NOTES:

- Raychem Connector Code: 41
- Connector Series: MIL-C-38999 SERIES 1 & 2
- Adaptor Series: 204M0**-19-B**-K-NS (Olive Drab);
- Aluminium Alloy to BS1474 HE30TF, FC1 or 6262
- Cadmium per QQ-P-416, Type II, Class 3
- Over appropriate under plate,
- Per MIL-C-85049 (500 hour salt spray)
- Moulded Part Material: -25C (Black); Elastomer/Silver Composites, Fluid Resistant
- Kits to include cleaning tissue, 1 piece 100 grit emery cloth & packing piece.
- Kit to be used in conjunction with installation guide for 90 & 45 deg. assemblies.

Dimensions in mm [inches for reference]

Part No.	Shell Size	B DIA MAX	D DIA MIN	J		JO REF b	JW ±30% b	X ±20% a	Y ±20% a
				MIN a	MAX b				
KTKK0510	08	19.2 [.76]	6.2 [.24]	7 [.28]	5.0 [.20]	15 [.59]	1.0 [.04]	60 [2.36]	23 [.91]
KTKK0511	10	21.7 [.85]	9.3 [.37]	9 [.35]	6.0 [.24]	17 [.67]	1.0 [.04]	67 [2.64]	29 [1.14]
KTKK0512	12	25.5 [1.00]	12.9 [.51]	11 [.43]	7.2 [.28]	18 [.71]	1.0 [.04]	73 [2.87]	29 [1.14]
KTKK0513	14	28.0 [1.10]	14.1 [.56]	11 [.43]	7.2 [.28]	18 [.71]	1.0 [.04]	73 [2.87]	29 [1.14]
KTKK0514	16	31.9 [1.26]	18.8 [.74]	17 [.67]	8.5 [.33]	20 [.79]	1.0 [.04]	83 [3.27]	36 [1.42]
KTKK0515	18	35.7 [1.41]	18.8 [.74]	17 [.67]	8.5 [.33]	20 [.79]	1.0 [.04]	83 [3.27]	36 [1.42]
KTKK0516	20	38.2 [1.50]	23.6 [.93]	21 [.83]	10.0 [.39]	28 [1.10]	1.5 [.06]	100 [3.94]	45 [1.77]
KTKK0517	22	42.0 [1.65]	23.6 [.93]	21 [.83]	10.0 [.39]	28 [1.10]	1.5 [.06]	100 [3.94]	45 [1.77]
KTKK0518	24	44.6 [1.76]	31.1 [1.22]	29 [1.14]	15.8 [.62]	31 [1.22]	1.5 [.06]	121 [4.76]	59 [2.32]

THIS DRAWING IS UNPUBLISHED.

ALL RIGHTS RESERVED.

COPYRIGHT 2016 By TE Connectivity

DIMENSIONS: mm [INCHES]	DWN P. VU	100CT2016	MATERIAL	SEE NOTES	FINISH	SEE NOTES
	CHK N. NAGAR	100CT2016	TE Connectivity			
TOLERANCES UNLESS OTHERWISE SPECIFIED:	APVD M. POPE	100CT2016				
0 PLC ± -	PRODUCT SPEC	NAME				ADAPTOR ASSEMBLY
1 PLC ± -	—	SIZE				A4
2 PLC ± -	APPLICATION SPEC	CAGE CODE				00779
3 PLC ± -	—	DRAWING NO				C-KTKK0510-0518
4 PLC ± -	—	RESTRICTED TO				—
ANGLES ± -	WEIGHT	CUSTOMER DRAWING				SCALE DNS
		SHEET 1 OF 1				REV 4