

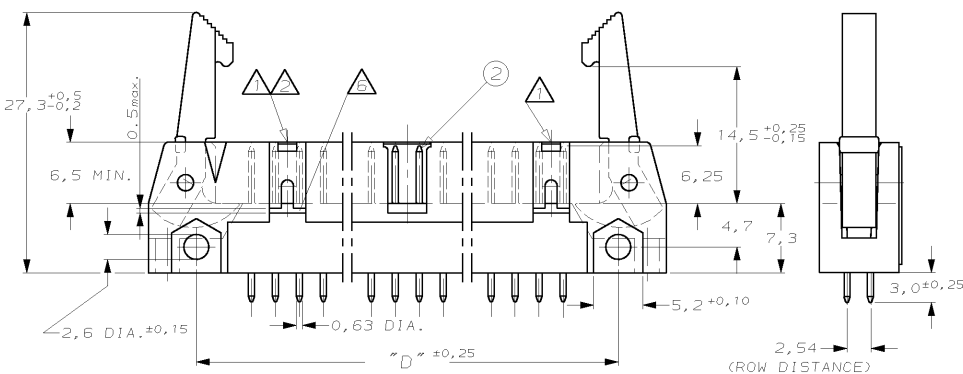
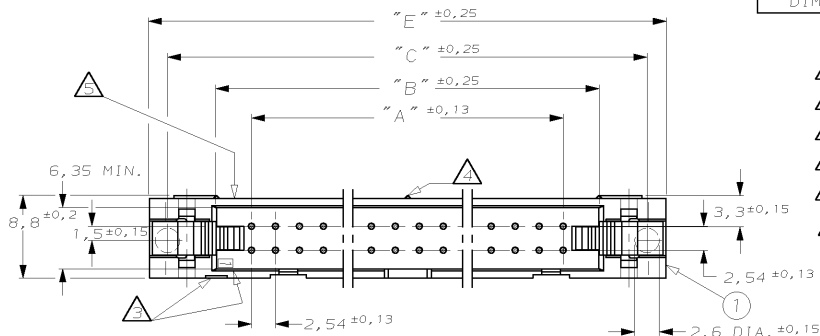
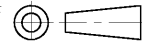
DO NOT SCALE

DIMENSIONS IN mm

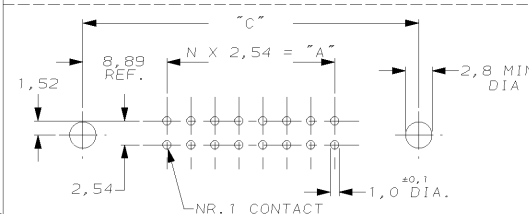
METRIC

THIRD ANGLE

PROJECTION



RECOMMENDED PCB-HOLE PATTERN



② PIN-CONTACT	BRASS	MATING SIDE: 0,8µm AU OR 0,6µm AMP DURAGOLD® / OVER 1,27µm NI SOLDER SIDE: MIN. 3,0µm Sn OVER 1,27µm NI
① HOUSING	GLASSFILLED POLYESTER	GREY

DIM. "E" DIM. "D" DIM. "C" DIM. "B" DIM. "A"						NR. OF POSITIONS	PARTNUMBER	COMPONENT NAME			MATERIAL	PLATING/COLOUR
VARIABLE CONNECTOR DIMENSIONS								CUSTOMER DRAWING				
100,6	90,4	96,5	86,4	78,7	64	6	6-828590-4	-	-	-		
95,5	85,3	91,4	81,3	73,7	60	6	6-828590-0	-	-	-		
82,8	72,6	78,7	68,6	61,0	50	5	5-828590-0	-	-	-		
70,1	59,9	66,0	55,9	48,3	40	4	4-828590-0	A3	TOLERANCE ON DIMENSION ADDED	KHH	MS	15DEC05
62,5	52,3	58,4	48,3	40,6	34	3	3-828590-4	A2	HOLE UNDER CODING HOLDER ADDED	KHH	MS	14JUN05
52,3	42,2	48,3	38,1	30,5	26	2	2-828590-6	A1	PLATING DURAGOLD OR GOLD ALTERNATIVELY USABLE	MAH	STRE	02-JUL-05
44,7	34,5	40,6	30,5	22,9	20	2	2-828590-0	A	BEMERKUNG: ERGAENZT	BLU	LAU	11.05.95
39,6	29,5	35,6	25,4	17,8	16	1	1-828590-6	0	EH-0839-93	JvL	RV	29-11-93
37,1	26,9	33,0	22,9	15,2	14	1	1-828590-4	LTR.	REVISION RECORD	DR.	CHK.	DATE
32,0	21,8	27,9	17,8	10,2	10	1	1-828590-0					

FOR REFERENCE ONLY WILL NOT BE UPDATED
 © COPYRIGHT 19- BY AMP HOLLAND B.V.
 ALL INTERNATIONAL RIGHTS RESERVED. AMP PRODUCTS MAY BE COVERED BY U.S. AND FOREIGN AND/OR PATENTS PENDING.
 THIS DRAWING IS UNPUBLISHED
 RELEASED FOR PUBLICATION
AMP AMP HOLLAND B.V.
 's-Hertogenbosch, The Netherlands.
 NAME
 AMP-LATCH HEADER 180 DEG. VERSION WITH LATCHES

DR. : J.V. LIEMPT	CHK. : R. VERSTIJNEN	APP. : L.V. SOEST.	DWG. No.	LOC.	SHEET	REV. LTR
DATE: 29-11-93	DATE: -	DATE: -	C-828590	AI A3	1 OF 1	A3