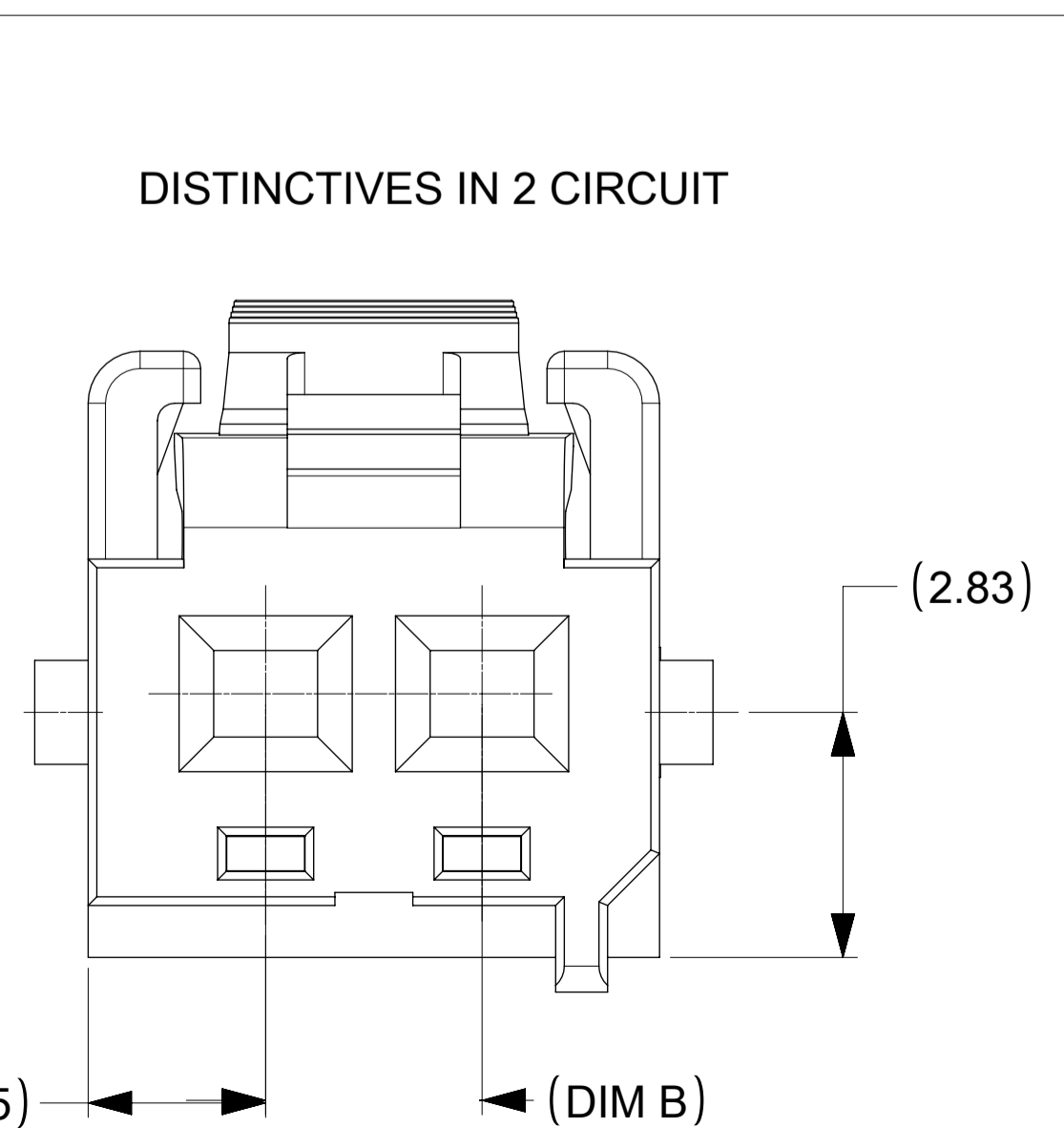
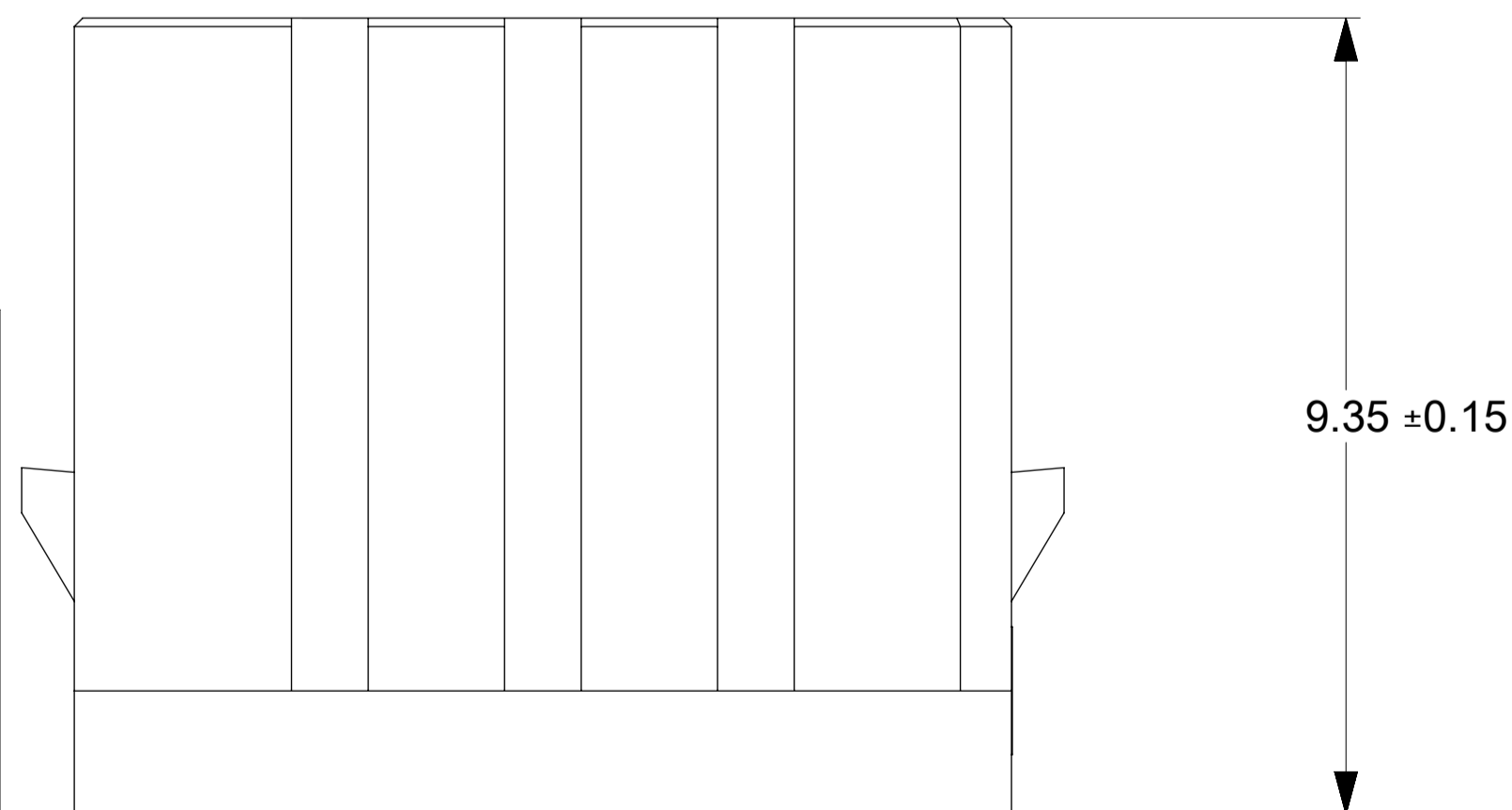
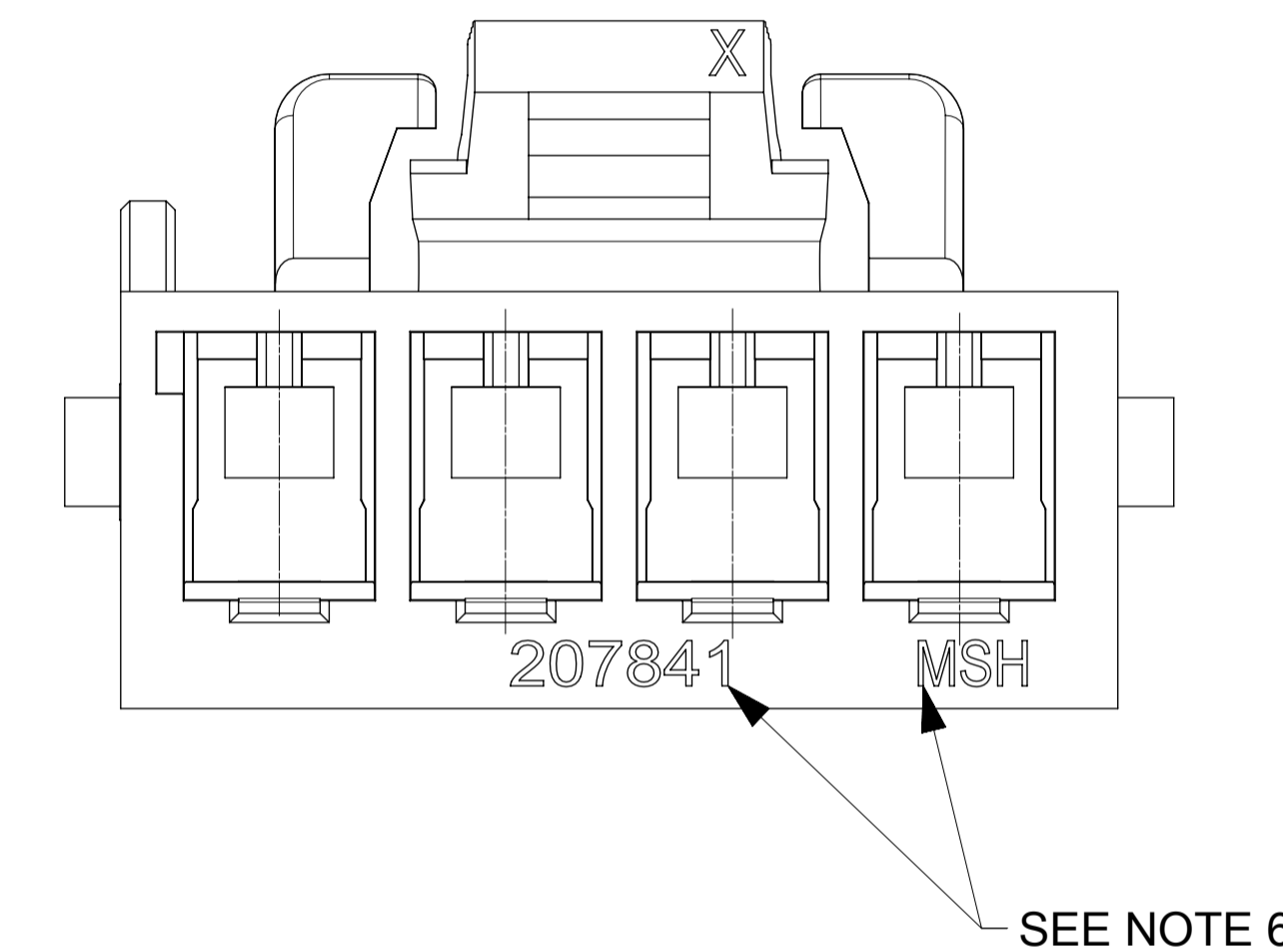
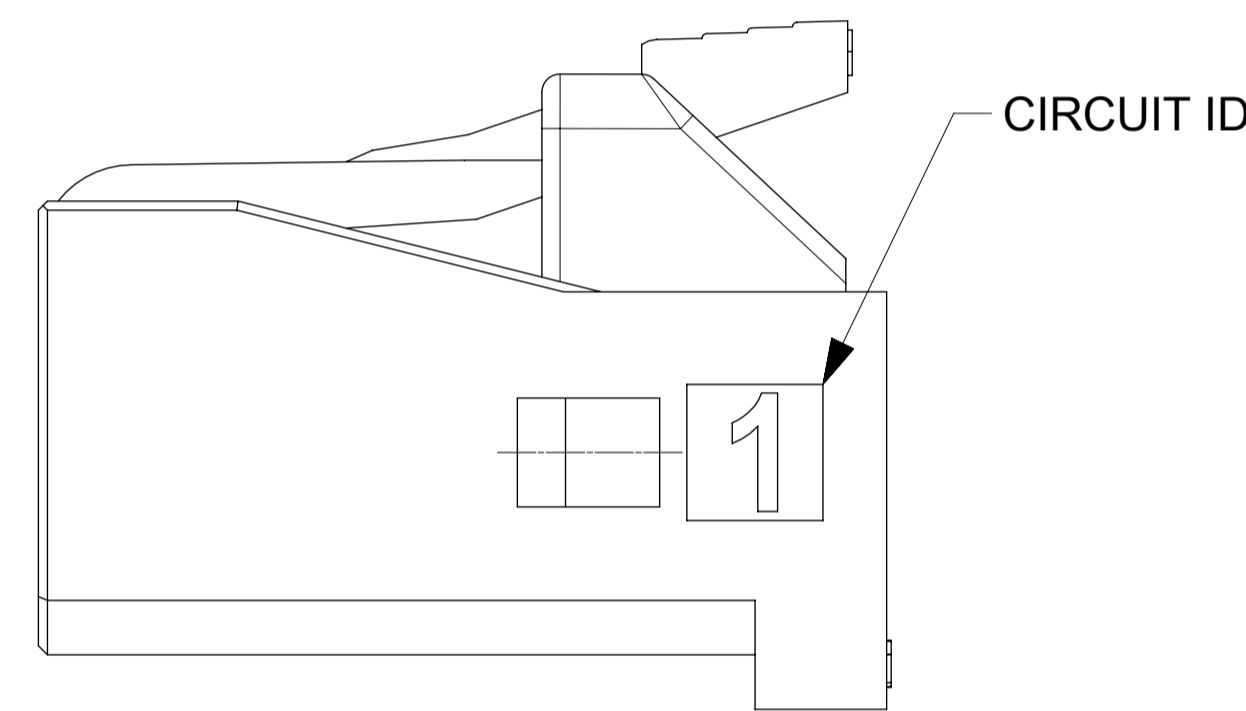
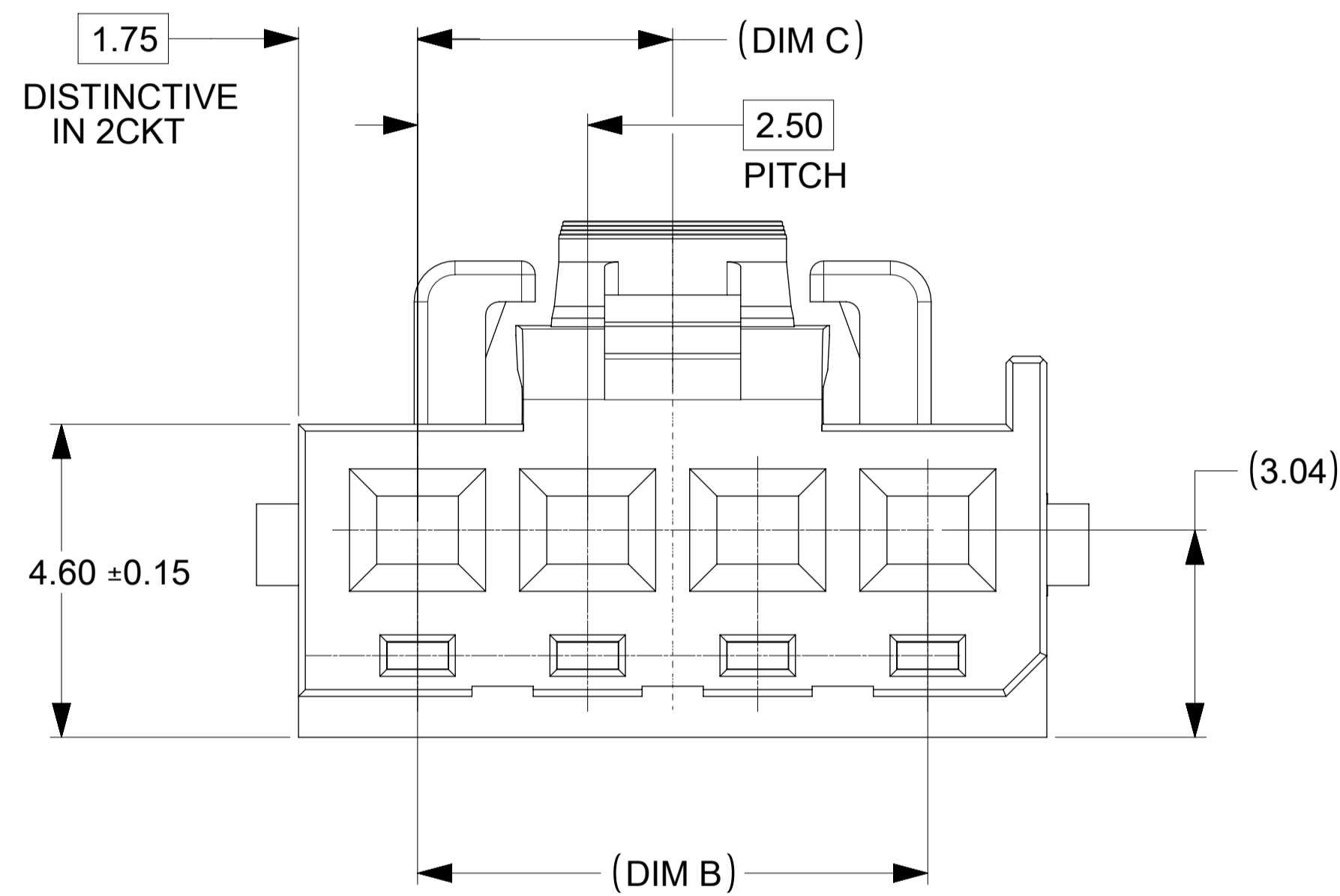


ISOMETRIC VIEW FOR 4 CIRCUIT



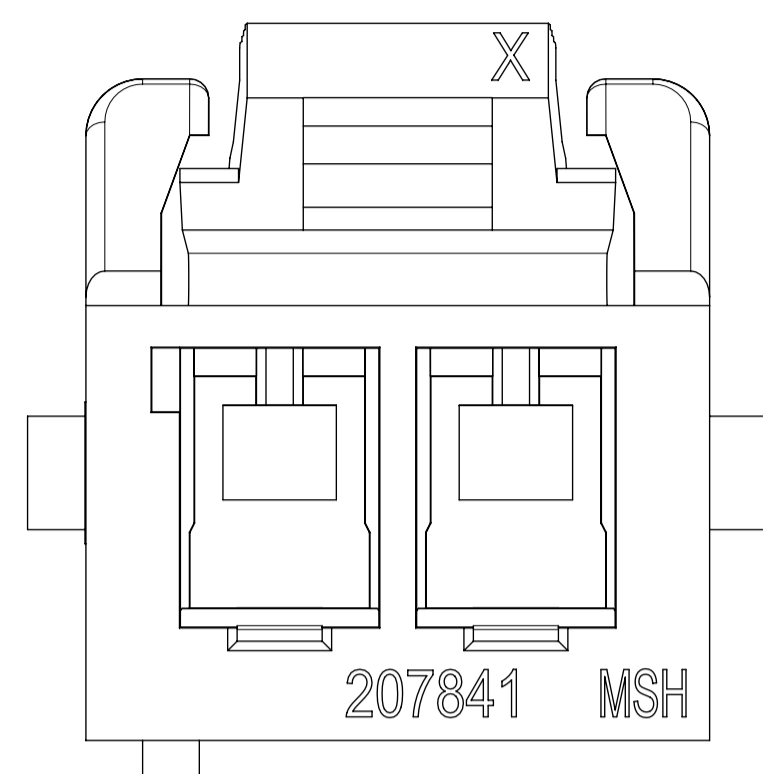
CKT	PART NUMBER	DIM.A	DIM. B	DIM. C
02	2078410002	6.61	2.50	1.25
03	2078410003	8.50	5.00	2.50
04	2078410004	11.00	7.50	3.75
05	2078410005	13.50	10.00	5.00
06	2078410006	16.00	12.50	6.25
07	2078410007	18.50	15.00	7.50
08	2078410008	21.00	17.50	8.75

- NOTES:**
1. MATERIAL: PA66, UL 94V-0, COLOR-BLACK
  2. PRODUCT SPECIFICATION: 2079020001-PS
  3. PACKAGING SPECIFICATION: 2078410000-PK
  4. COSMETIC SPECIFICATION: PS-45499-002 CLASS B
  5. HOUSING ACCEPTS TERMINALS FROM 46626 SERIES
  6. MOLEX LOGO AND SERIES ID

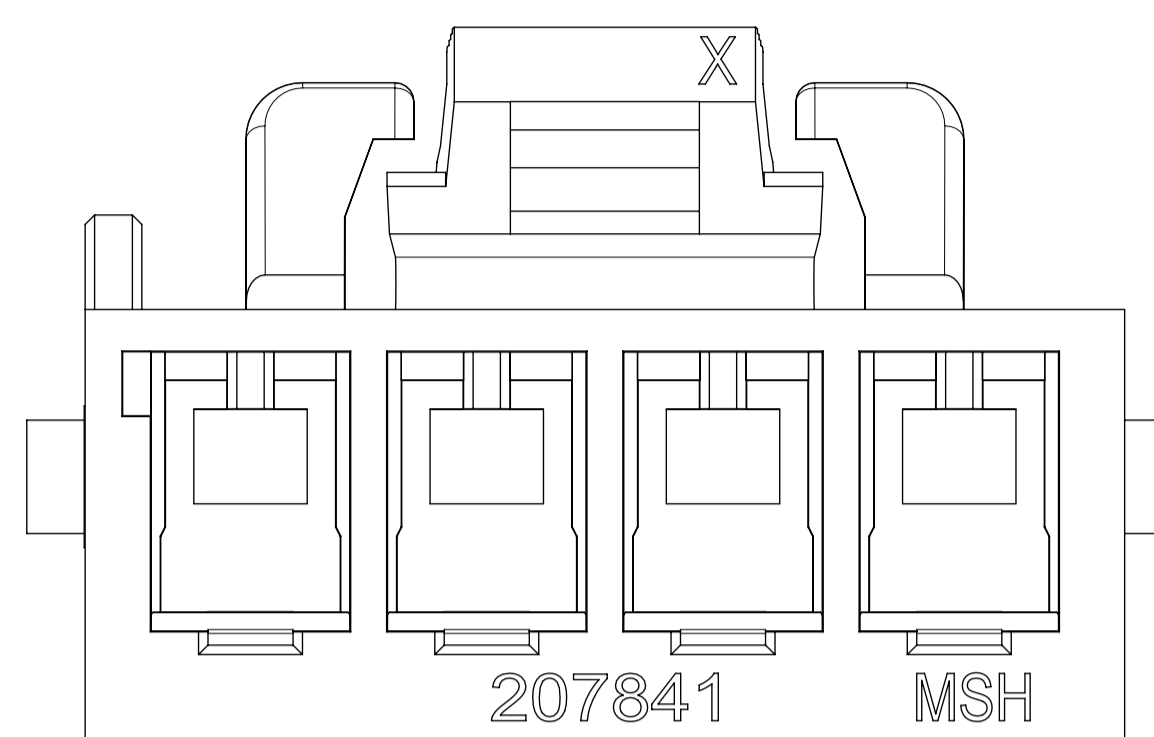
SYMBOLS		THIS DRAWING CONTAINS INFORMATION THAT IS PROPRIETARY TO MOLEX ELECTRONIC TECHNOLOGIES, LLC AND SHOULD NOT BE USED WITHOUT WRITTEN PERMISSION		CURRENT REV DESC:		molex			
▽ = 0	DIMENSION UNITS	mm	SCALE	10:1		RECEPTACLE HOUSING FOR KK PLUS 250			
▽ = 0	GENERAL TOLERANCES (UNLESS SPECIFIED)		EC NO: 706742		DRWN: SHRUTJ 2022/04/20				
▽ = 0	ANGULAR TOL ± 0.5°		DRWN: SHRUTJ 2022/05/13		CHK'D: SHRUTJ 2022/05/13				
▽ = 0	4 PLACES ±		APPR: ISHWARG 2022/05/13		INITIAL REVISION:				
▽ = 0	3 PLACES ±		DRWN: SUDAYGUNAGI 2018/06/18		DRWN: SUDAYGUNAGI 2019/02/20				
▽ = 0	2 PLACES ± 0.25		APPR: ISHWARG		APPR: ISHWARG				
▽ = 0	1 PLACE ± 0.3		DRAFT WHERE APPLICABLE MUST REMAIN WITHIN DIMENSIONS		THIRD ANGLE PROJECTION		DRAWING SERIES		
▽ = 0	0 PLACES ±		A1-SIZE		207841		DOCUMENT NUMBER		
						2078410004-SD		DOC TYPE   DOC PART   REVISION	
						PSD 000		A2	
						MATERIAL NUMBER		CUSTOMER	
								SHEET NUMBER	
								1 OF 2	

POLARIZATION

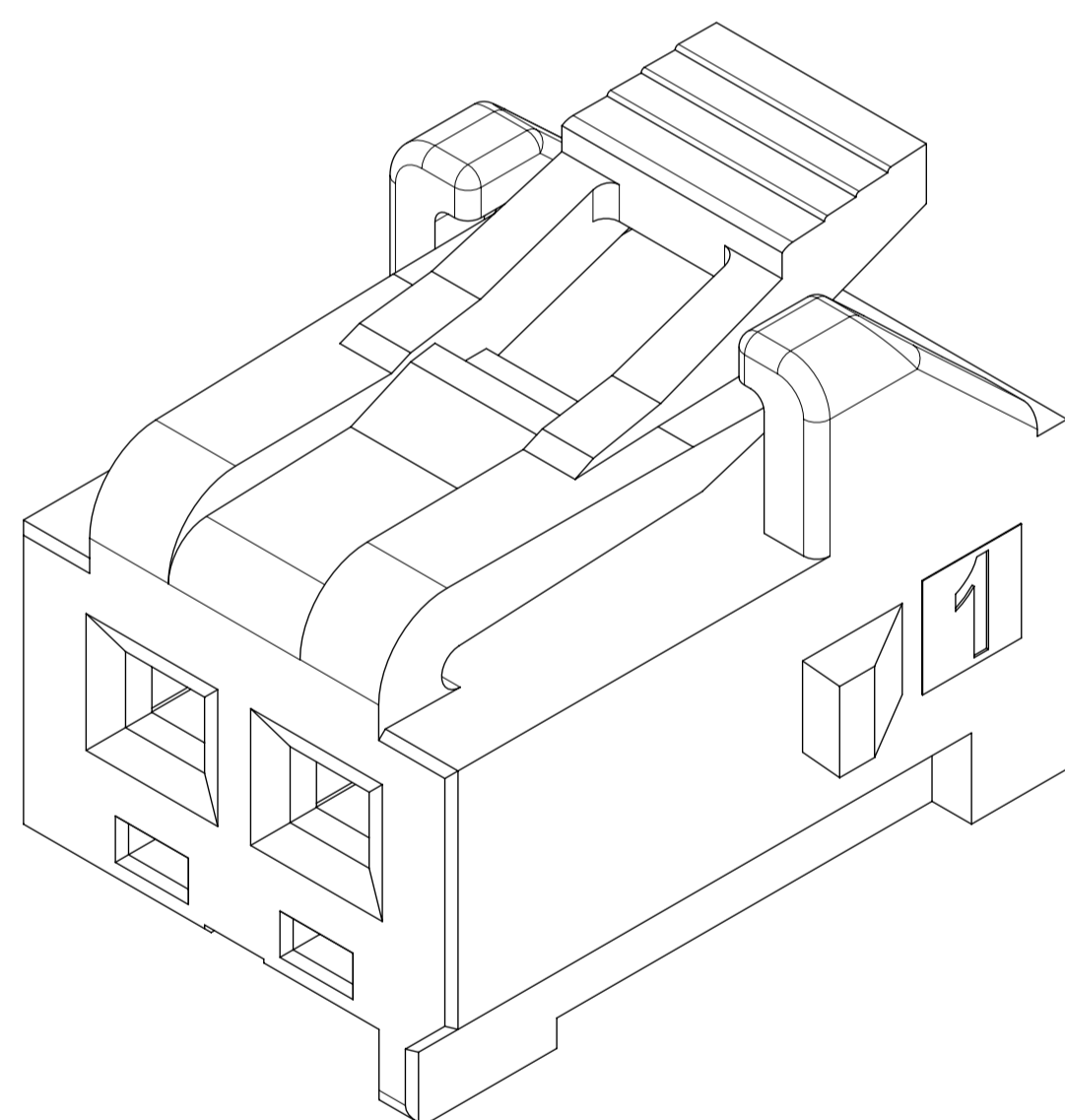
2 & 3 CKT



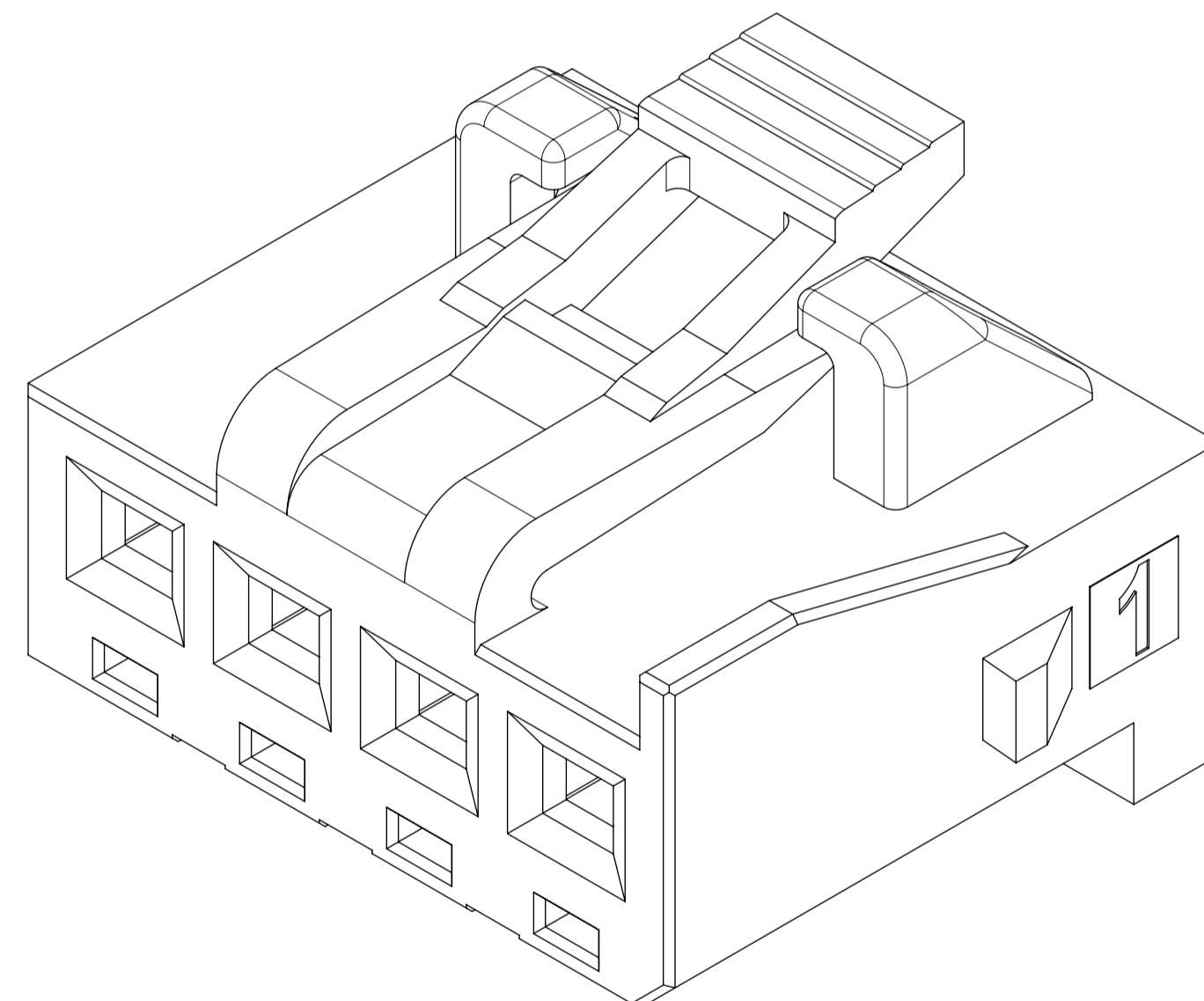
4 TO 10 CKT



ISOMETRIC OF 2 & 3 CKT



ISOMETRIC OF 4 TO 10 CKT



<b>SYMBOLS</b> = 0 = 0 = 0 = 0 = 0 = 0 = 0 = 0 = 0 = 0	THIS DRAWING CONTAINS INFORMATION THAT IS PROPRIETARY TO MOLEX ELECTRONIC TECHNOLOGIES, LLC AND SHOULD NOT BE USED WITHOUT WRITTEN PERMISSION		<b>CURRENT REV DESC:</b>  EC NO: 706742 DRWN: SHRUTJ                      2022/04/20 CHK'D: SHRUTJ                      2022/05/13 APPR: ISHWARG                      2022/05/13		  RECEPTACLE HOUSING FOR KK PLUS 250			
	DIMENSION UNITS <b>mm</b>	SCALE <b>10:1</b>						GENERAL TOLERANCES (UNLESS SPECIFIED) ANGULAR TOL ± 0.5°
4 PLACES ± 3 PLACES ± 2 PLACES ± 0.25 1 PLACE ± 0.3 0 PLACES ±	DRAFT WHERE APPLICABLE MUST REMAIN WITHIN DIMENSIONS		THIRD ANGLE PROJECTION 		DRAWING <b>A1-SIZE</b>		SERIES <b>207841</b>	
<b>DOCUMENT STATUS</b> P1 <b>RELEASE DATE</b> 2022/05/13   14:35:39		INITIAL REVISION: DRWN: SUDAYGUNAGI              2018/06/18 APPR: ISHWARG                      2019/02/20		DOCUMENT NUMBER <b>2078410004-SD</b>		DOC TYPE PSD	DOC PART 000	REVISION <b>A2</b>
				MATERIAL NUMBER	CUSTOMER		SHEET NUMBER <b>2 OF 2</b>	