

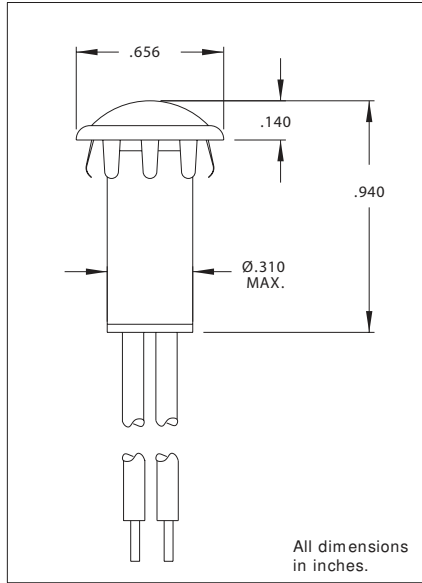
147 Central Avenue
 Hackensack, New Jersey 07601
 Tel: 201-489-8989 • Fax: 201-489-6911



CHICAGO MINIATURE LAMP, INC.
 WHERE INNOVATION COMES TO LIGHT

2990P Series Non-Relampable Incandescent Indicator Lights

DESCRIPTION AND FEATURES



Mounting: Ø.500 MIN.

Wire Leads: No.24 AWG 4.40/4.80 long, stripped .430/.570

Lens: Polycarbonate

Bezel: Mirror finish chrome plated steel

Lens Color	Incandescent	
	Model No. (12V)	Model No. (28V)
Red	2990P1-12V	2990P1-28V
Amber	2990P3-12V	2990P3-28V
White	2990P4-12V	2990P4-28V
Green	2990P5-12V	2990P5-28V
Blue	2990P6-12V	2990P6-28V
Lamp used	#2162	#2187
Lead color	Yellow	Purple
Mounting	Plug-button bezel	

Underwriters Laboratories (UL) File No. E20325
 Canadian Standards Association (CSA) File No. LR13346

Chicago Miniature Lamp reserves the right to make specification revisions that enhance the design and/or performance of the product