



MADE
IN THE USA

Product Description:

- Face Mask Dispenser - Tie Style
- Holds one box of tie style face masks
- Two sets of keyholes for dual position wall mounting
- Made of White Powder-Coated Steel

Primary Area for Product Usage:

- Surgical areas, interventional radiology, areas with a scrub sink

Dispenses:

- Most major manufacturers' standard tie style face mask boxes
- Boxes no larger than 7.69"W x 9.50"H x 5.13"D (19.5 cm x 24.1 cm x 13.0 cm)
- Boxes no smaller than 6.94"W x 5.50"H x 3.75"D (17.6 cm x 14.0 cm x 9.5 cm)

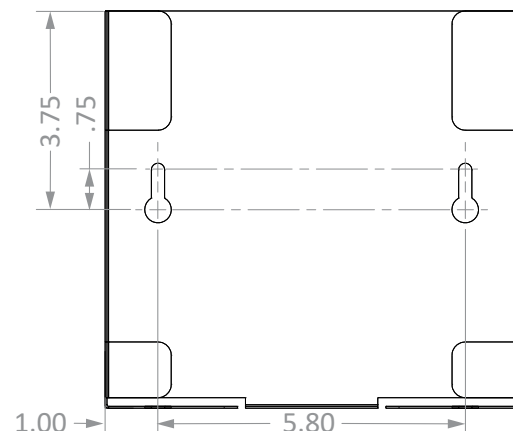
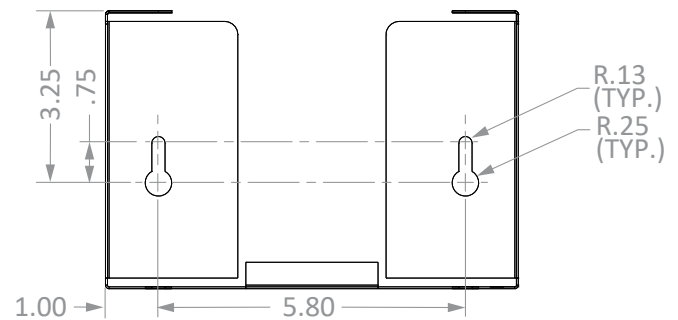
Package Specifications:

- Package Qty 12 per case
- 18"W x 16"H x 10"D (45.7 cm x 40.6 cm x 25.4 cm)
- 19.0 lbs (8.6 kg) - approximated

Product Specifications (overall external dimensions):

- 7.80"W x 7.50"H x 5.25"D (19.8 cm x 19.1 cm x 13.3 cm)
- 1.4 lb (0.6 kg) - approximated

Mounting Specifications:



Related Products (each sold separately):

- FB-021: Face Mask Dispenser - Tie Style (shown below)
- FB-037: Face Mask Dispenser - Earloop Style
- FB-090: Face Mask Dispenser - Shield Style

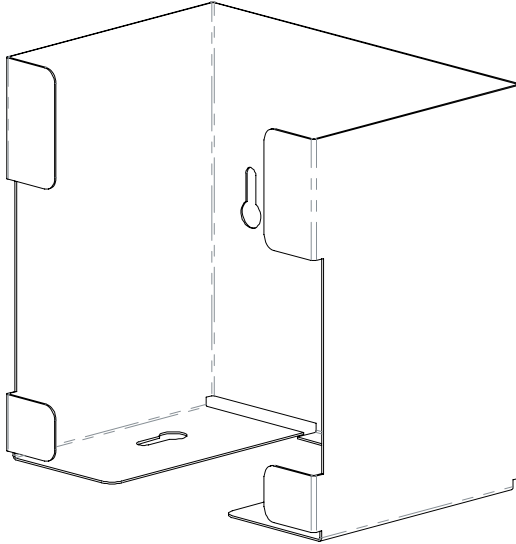




Installation

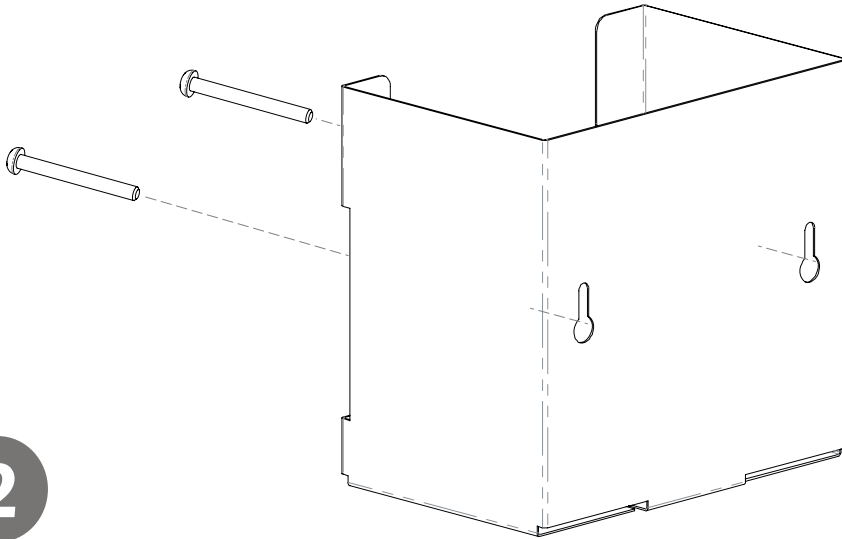
Always mount dispensers securely *prior* to loading with product.

- Mountable in two directions, dispenser is designed for wall mounting or inside a cabinet.



1

- Mount securely to a wall with screws approved and supplied by building maintenance.



2

Parts included:

- Dispenser

Tools Required:

- No tools required to assemble dispenser

Care and Construction

Powder-Coated Steel

Material Characteristics

Designed for Long-Term, Heavy-Duty Applications

Our steel dispensers and stands are coated with polyester powders which makes them highly resistant to corrosion.

Powder-coated steel is ideal for dispensers used in a healthcare or an industrial setting because it is impact resistant and is not effected by extremes in temperature.

Dispensers and stands made of powder-coated steel are both attractive and functional, providing years of service.

Care and Cleaning

For best results, clean by washing the surface with a diluted solution of a mild, non-abrasive detergent in cold or warm water and a non-abrasive cloth. Standard hospital cleaning supplies can be used.

Dry with a soft cloth. Do not use any solvent-based materials, abrasives (e.g. Scotch-brite, steel wool), or apply excessive force during cleaning.