

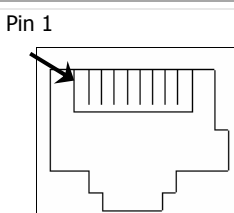
Cable Adapters

Digi CM, RJ-45 to DB-9 Console Adapter

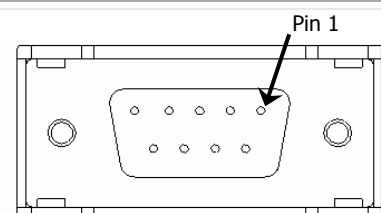
For use with Digi CM 8, 16, 32, 48 – All Models

Digi Cable Adapters allow you to connect your serial devices using commercially available CAT 5 cable of any length. Simply plug standard CAT 5 cable into your Digi Product, connect a Cable Adapter to the other end and plug the adapter into your device.

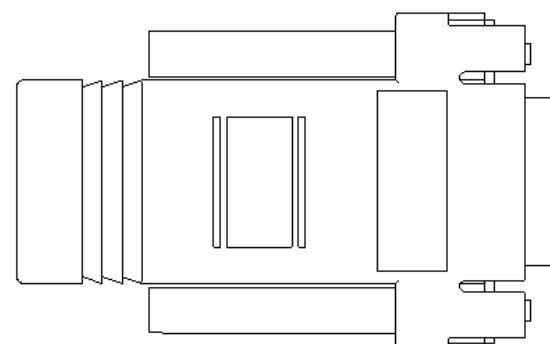
| From RJ-45 | Signal | Direction | Signal | To DB-9 |
|------------|--------|-----------|--------|---------|
| 1 | CTS | ← | RTS | 7 |
| 2 | DSR | ↔ | DTR | 4 |
| 5 | DCD | | | |
| 3 | RxD | ← | TxD | 3 |
| 4 | Ground | ↔ | SG | 5 |
| 6 | TxD | → | RxD | 2 |
| 8 | RTS | → | CTS | 8 |
| 7 | DTR | ↔ | DCD | 1 |
| | | | DSR | 6 |



Female RJ-45
8-pin



Female DB-9



Cable Adapter not to scale

* Arrows indicate which direction the signal is flowing

Notes:

- All RJ45 cable adapters are 8-pin.

Digi Part Number 76000671 Digi CM DB9F Console Adapter (8-pack)