

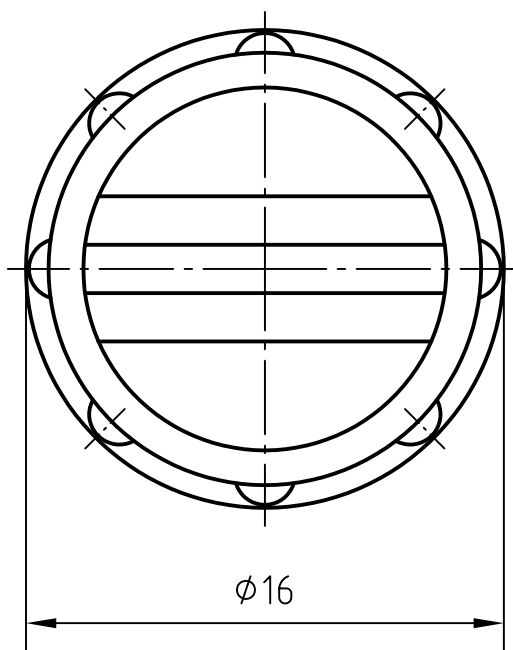
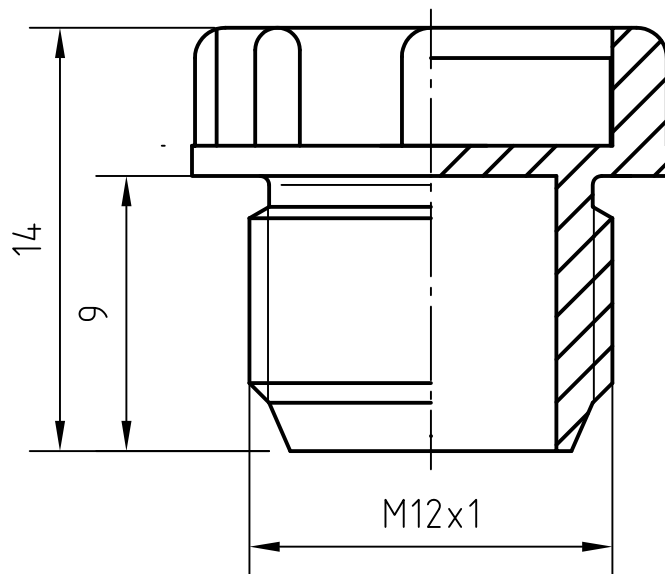
5

4

3

2

1



K922-00000-00054	M12M-CLOSURE CAP / M12M-Verschlusskappe	BLACK / schwarz	1201165014	POLYETHYLEN (PE-HD)
BG12103-Y	M12M-CLOSURE CAP / M12M-Verschlusskappe	YELLOW / gelb	1203090376	POLYETHYLEN (PE-HD)
OLD ENGIN. NUMB. Artikel-Nummer	DESCRIPTION Beschreibung	COLOR Farbe	SAP-NUMBER SAP-Nummer	MATERIAL/NOTE Material/Bemerkung

DESCRIPTION EC NO: WEU2010-0173 DRWN: REISSNER 28.10.09 CH/KD: FP APPR: NSTAUDIG 2009/12/04 REV	QUALITY SYMBOLS	GENERAL TOLERANCES (UNLESS SPECIFIED)		DIMENSION STYLE		SCALE	DESIGN UNITS	FIRST ANGLE PROJECTION
	▽ = 0 ▽ = 0	mm	INCH	MM		4:1	METRIC	
		4 PLACES ±---	±---	DRAWN BY DATE		M12M-M-CLOSURE CAP ----- M12M VERSCHLUSSKAPPE		
		3 PLACES ±---	±---	BB 2009/11/02				
	2 PLACES ±0.05	±---	CHECKED BY DATE		MOLEX INCORPORATED			
	1 PLACE ±0.1	±---	RE 2009/11/03					
	ANGULAR ± --- °		APPROVED BY DATE		DOCUMENT NO. SD-120309-003 SHEET NO. 1 OF 1			
			NSTAUDIG 2009/11/18					
			MATERIAL NO.		THIS DRAWING CONTAINS INFORMATION THAT IS PROPRIETARY TO MOLEX INCORPORATED AND SHOULD NOT BE USED WITHOUT WRITTEN PERMISSION			
			SEE TABLE					
			SIZE A4					

5

4

3

2

1