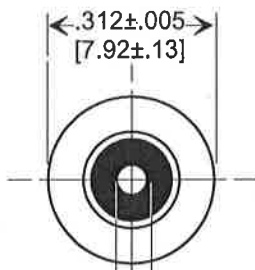
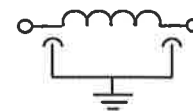
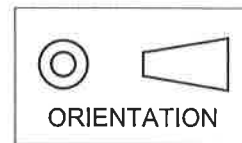
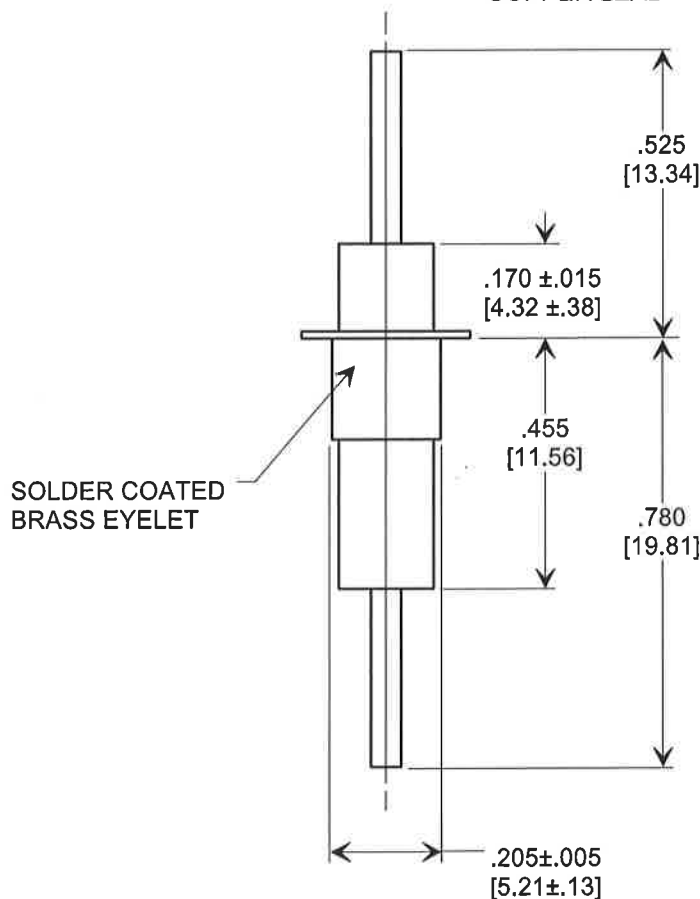


MARKETING SALES DRAWING
DIMENSIONS IN INCHES - DO NOT SCALE THIS DRAWING
DIMENSIONS IN METRIC - []

Electrical Testing
per Tusonix standard
test plans and Mil-Std-202
Test Methods.



15 AWG. (.057) [1.45]
SOLDER COATED
COPPER LEAD



MIN. CAP (pF)	WORKING VOLTAGE (WVDC)		CURRENT Idc	MINIMUM NO-LOAD INSERTION LOSS			
	85°C	125°C		10 MHz	100 MHz	1 GHz	10 GHz
1500	1000	700	25A	5	35	65	65

REVISION RECORD Original Release C.O. 970306-4	0	-TOLERANCES-- Unless Otherwise Specified DECIMAL ± .031 [.79] ANGLES ±	Title EYELET STYLE EMI FILTER	
	TUSONIX TUCSON, ARIZONA		Drawn S.M. 03-11-97 Approved T.C. 03-11-97	Scale 3 X
		A	4106-003	

X-2015 Rev-0