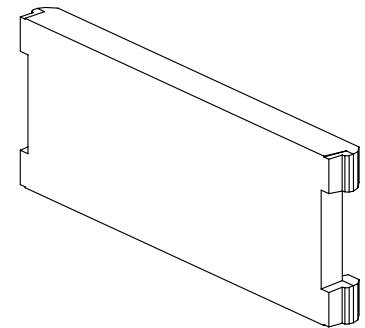
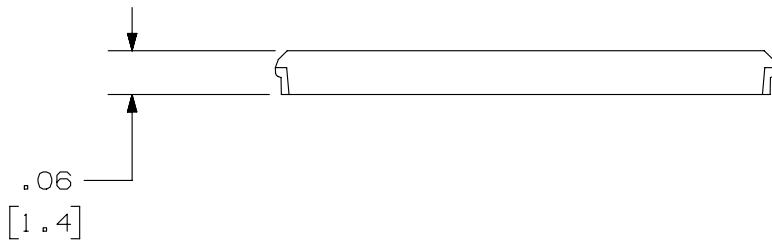
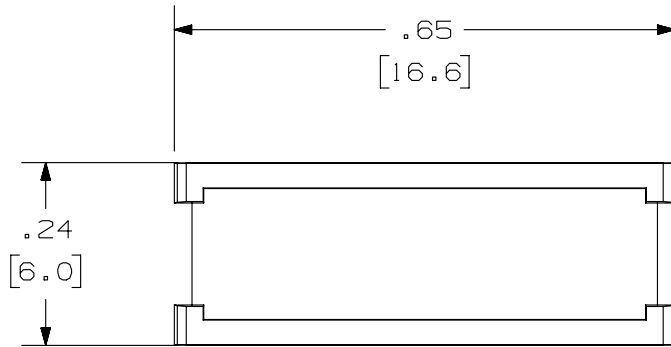


THIS COPY IS PROVIDED ON A RESTRICTED BASIS AND IS NOT TO BE USED IN ANY WAY DETRIMENTAL TO THE INTERESTS OF PANDUIT CORP.

PANDUIT P/N	WEIGHT
UILC1**-X	.003 LB/10 PCS (1.3 g/10 PCS)
UILC1**-L	.014 LB/50 PCS (6.5 g/50 PCS)



NOTES:

- SEE CURRENT CATALOG FOR ADDITIONAL PART NUMBER SUFFIXES TO INDICATE COLOR.
- SEE CATALOG FOR COMPLETE LIST OF PARTS APPLICABLE FOR USE WITH THIS PART.
- DIMENSIONS IN [] ARE IN METRIC.

PART NUMBER UILC1**-X, UILC1**-L	
TITLE ULTIMATE ID 1 POSITION REPLACEMENT SCREW COVER	
CUSTOMER DRAWING	
ITEM REVISION NAME M01283BA/05	PANDUIT
DATASET FILE NAME M01283BA_DC/05B	
UNLESS OTHERWISE SPECIFIED, DIMENSIONAL TOLERANCES ARE: IN [mm]	
.X ± .XX ± .03 [.8]	.XXX ± .010 [.3] ANGLES ±
THIRD ANGLE PROJECTION	
DRAWN BY JSP	DATE 11-26-02
CHK MJD	SCALE NONE
DRAWING NUMBER: 01283-05	
SHT 1 OF 1	
SIZE A	

REV	DATE	BY	CHK	APR	DESCRIPTION	ECN
1	5/16/14	JSP	REFR	MMR	A. REVISED DRAWING TITLE BLOCK.	01283-05
R	11-26-02	JSP	MJD	MJD	RELEASED TO PRODUCTION	01283-05

D10100DA/14

2

1

2

1